

351, 351 EPA

Spare parts

Ersatzteile

Pièces détachées

Reserve onderdelen

Repuestos

Reservdelar

Replaces

Ersetzt

Remplace

Vervangt

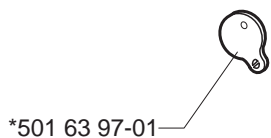
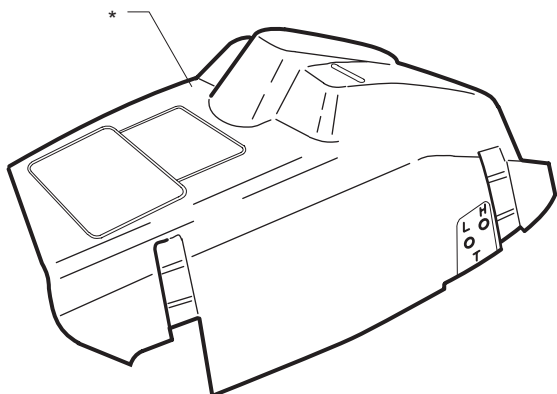
Reemplaza

Ersätter

106 25 00-61

C

*compl 503 90 90-01



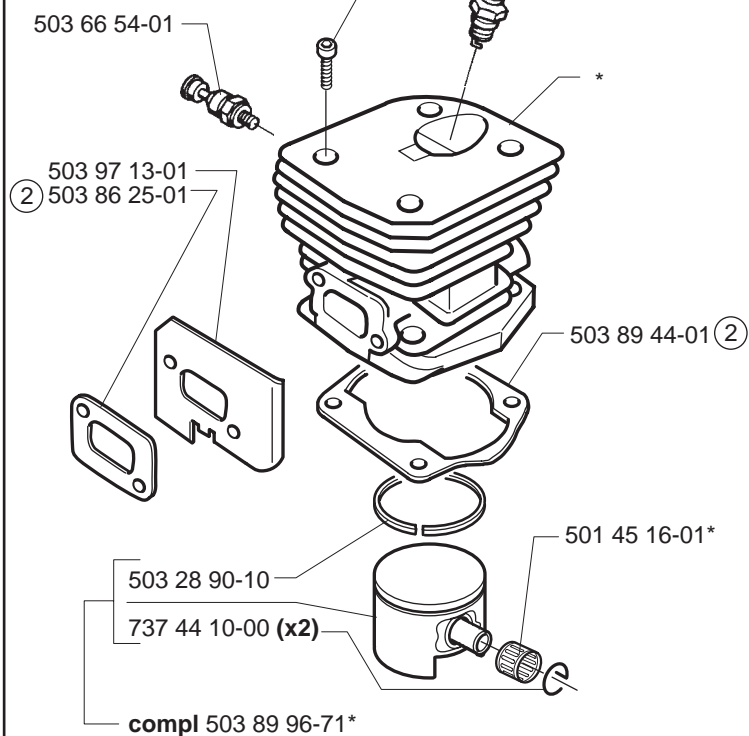
*501 63 97-01



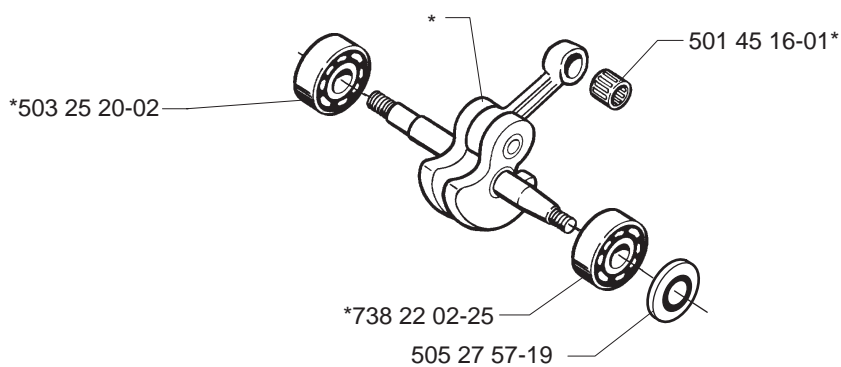
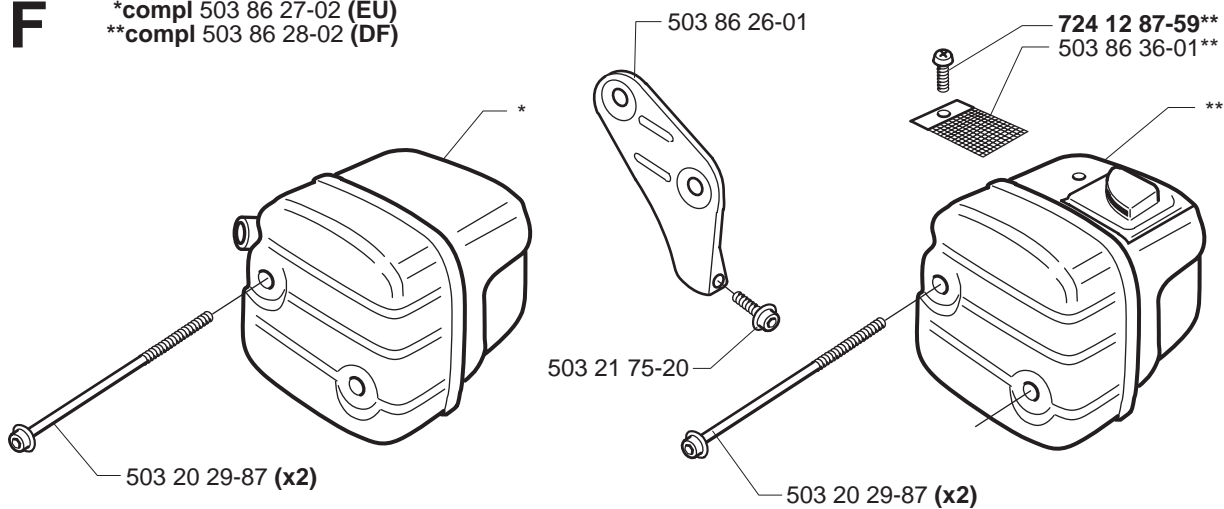
*503 98 74-01

D

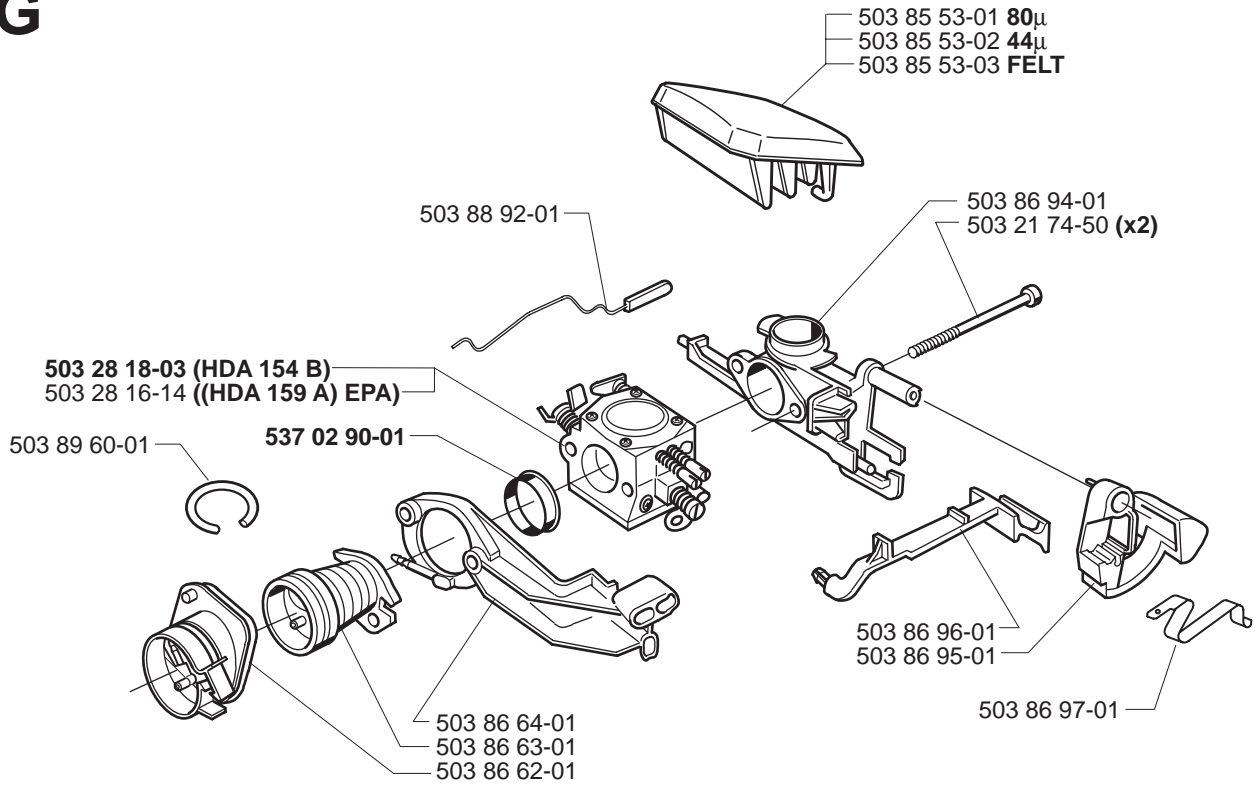
*compl 503 86 99-71

RCJ 7Y
 503 23 51-08
 (x4) 503 21 74-25
**E**

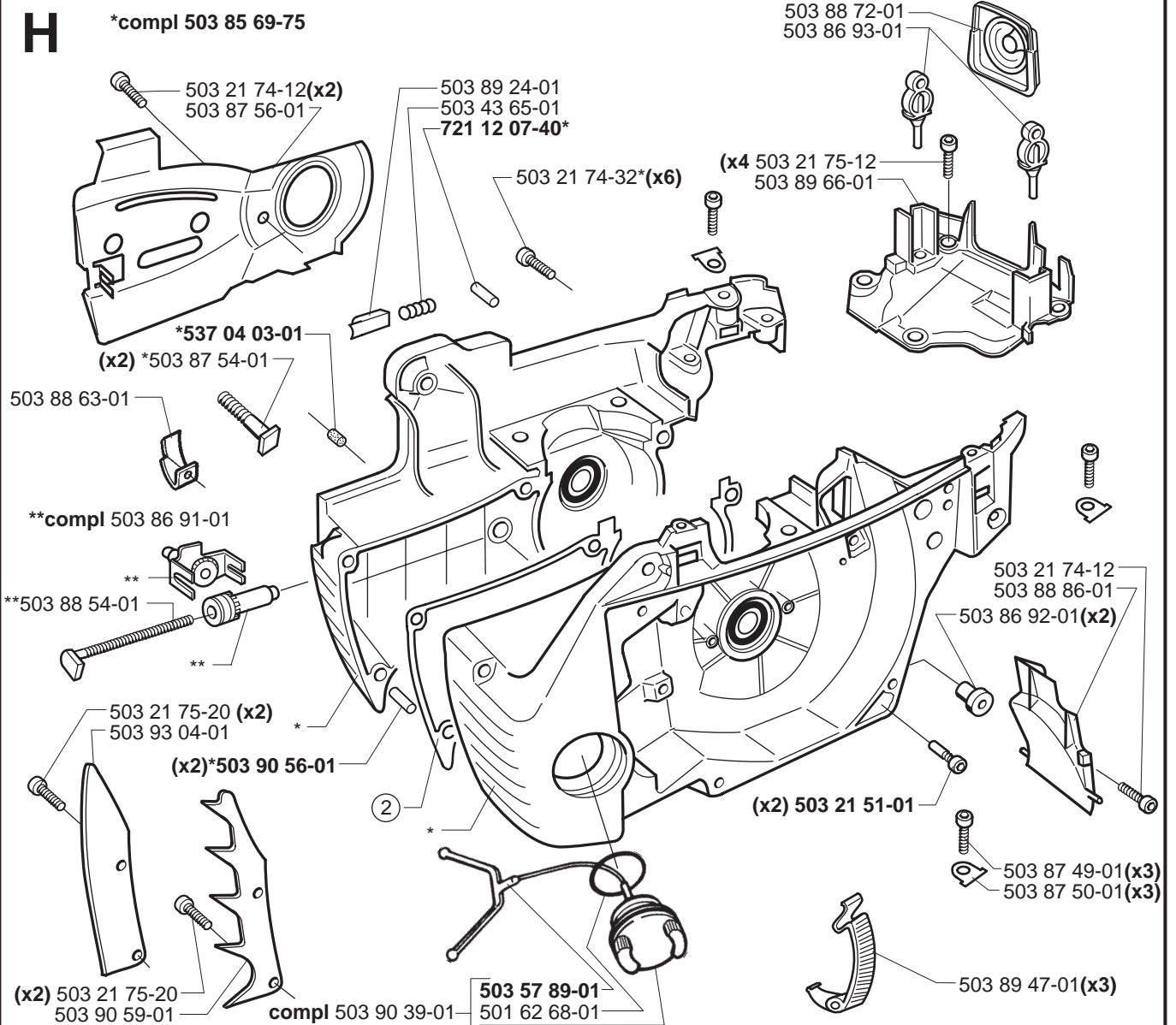
*compl 503 85 76-71

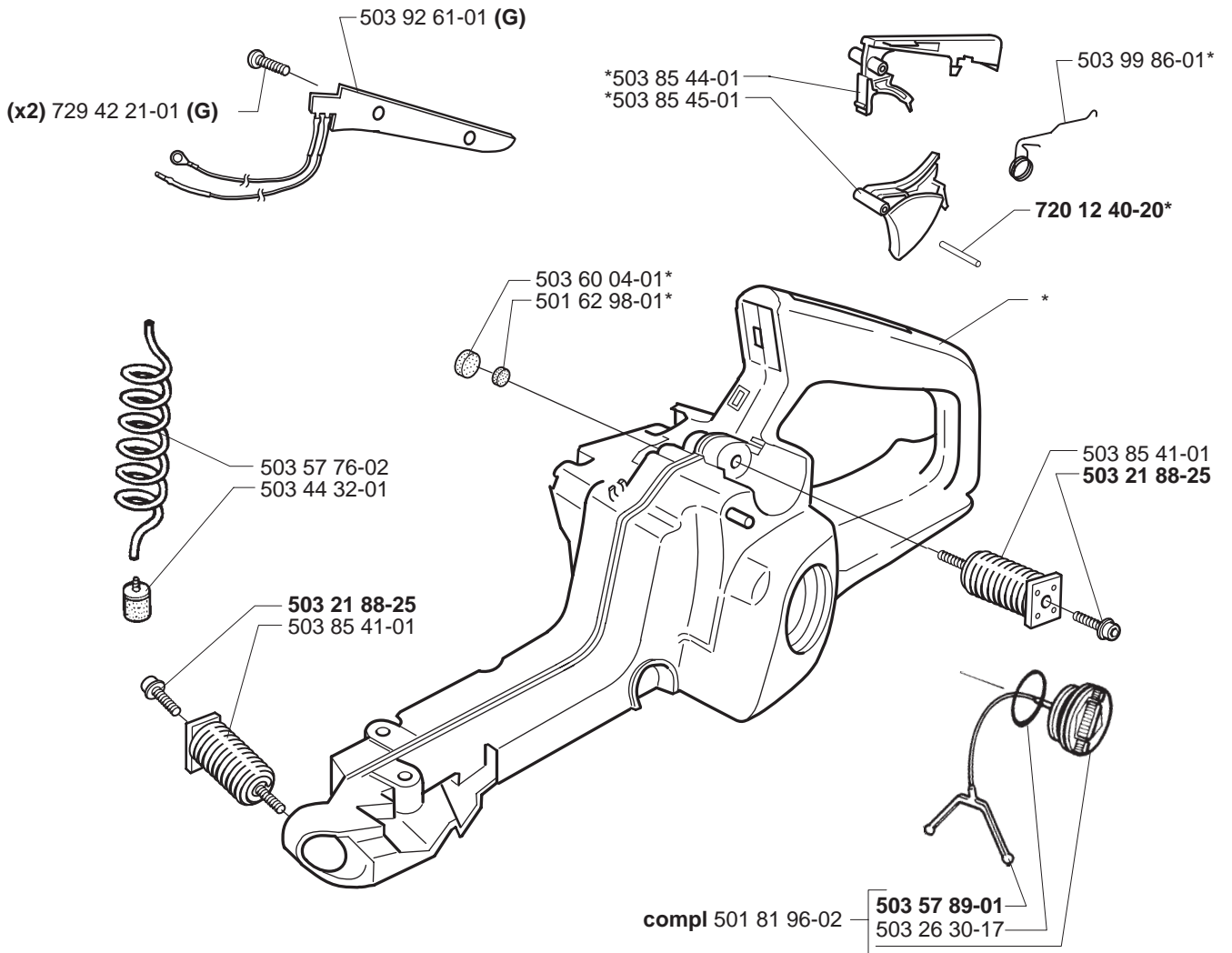
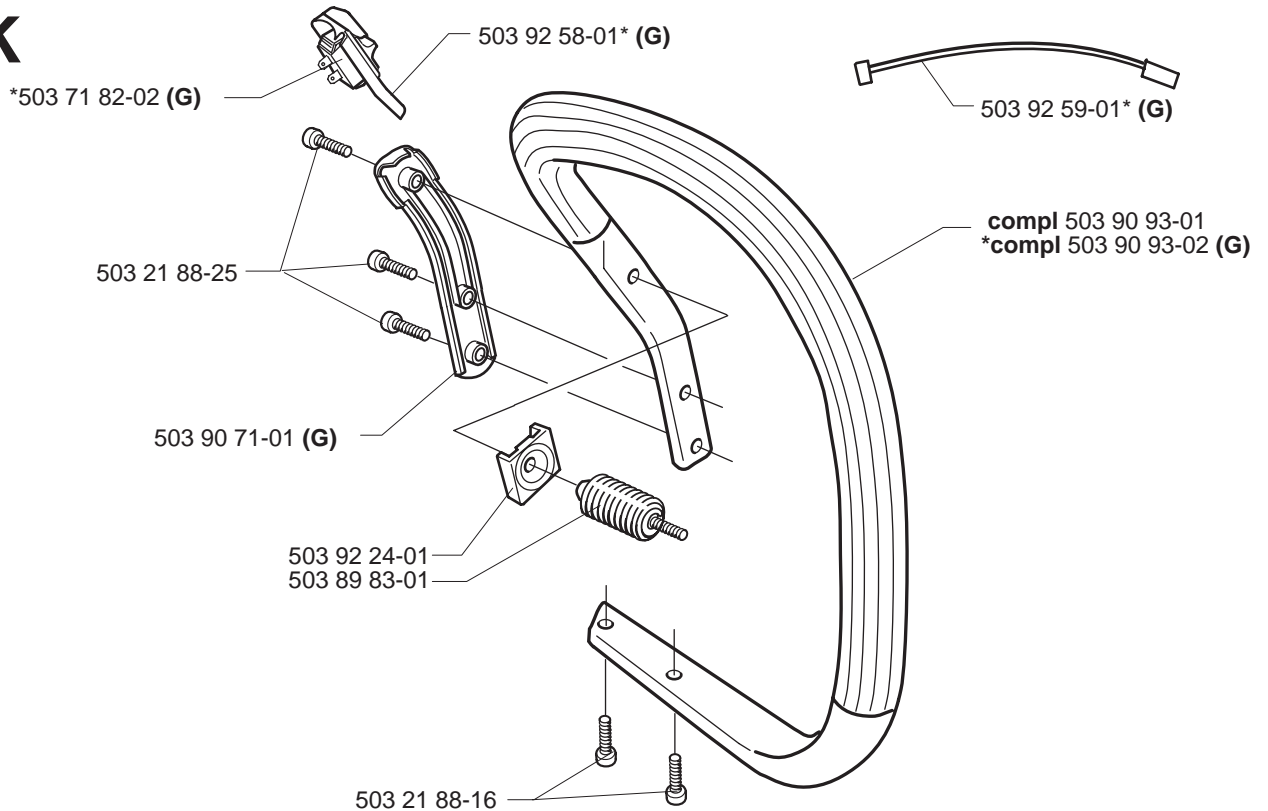
**F**
 *compl 503 86 27-02 (EU)
 **compl 503 86 28-02 (DF)


G

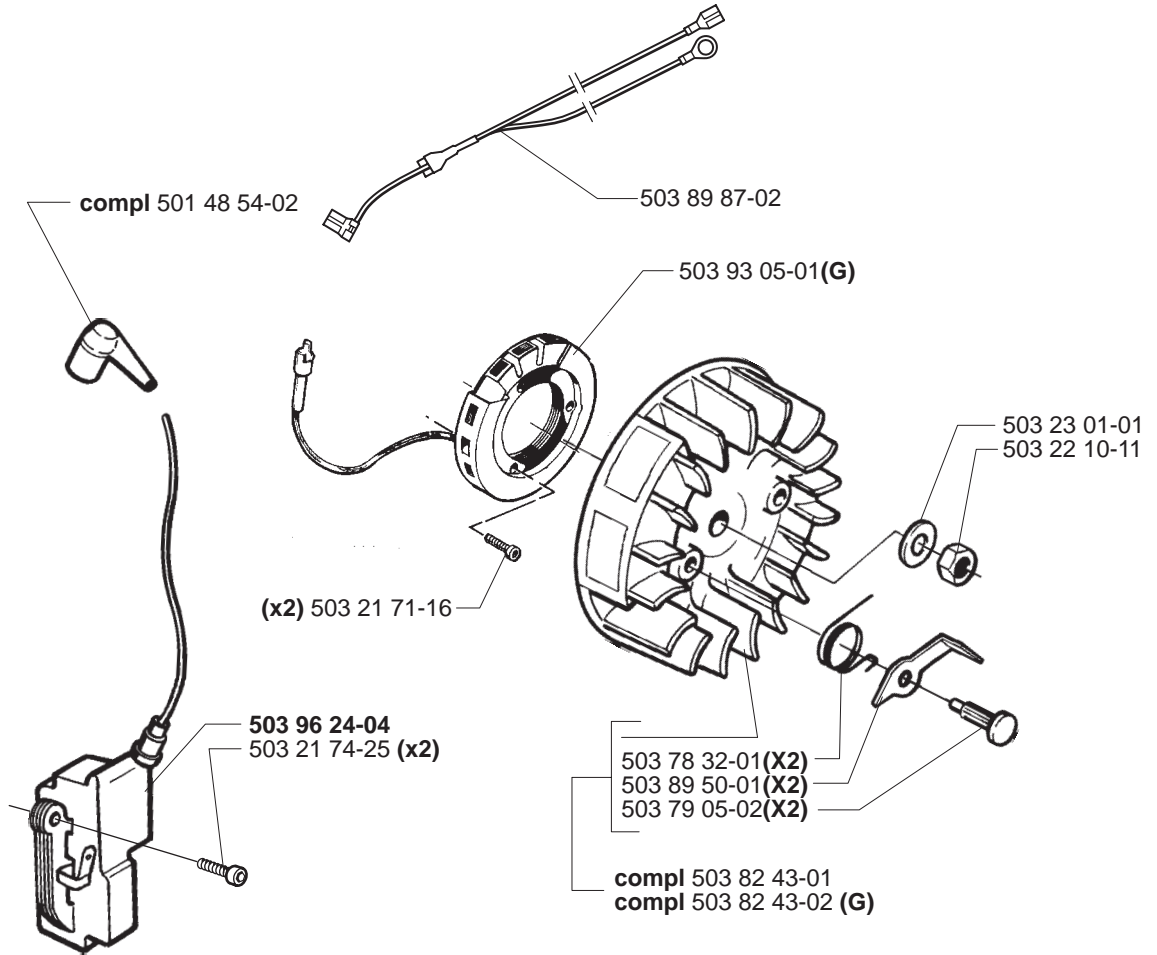


H



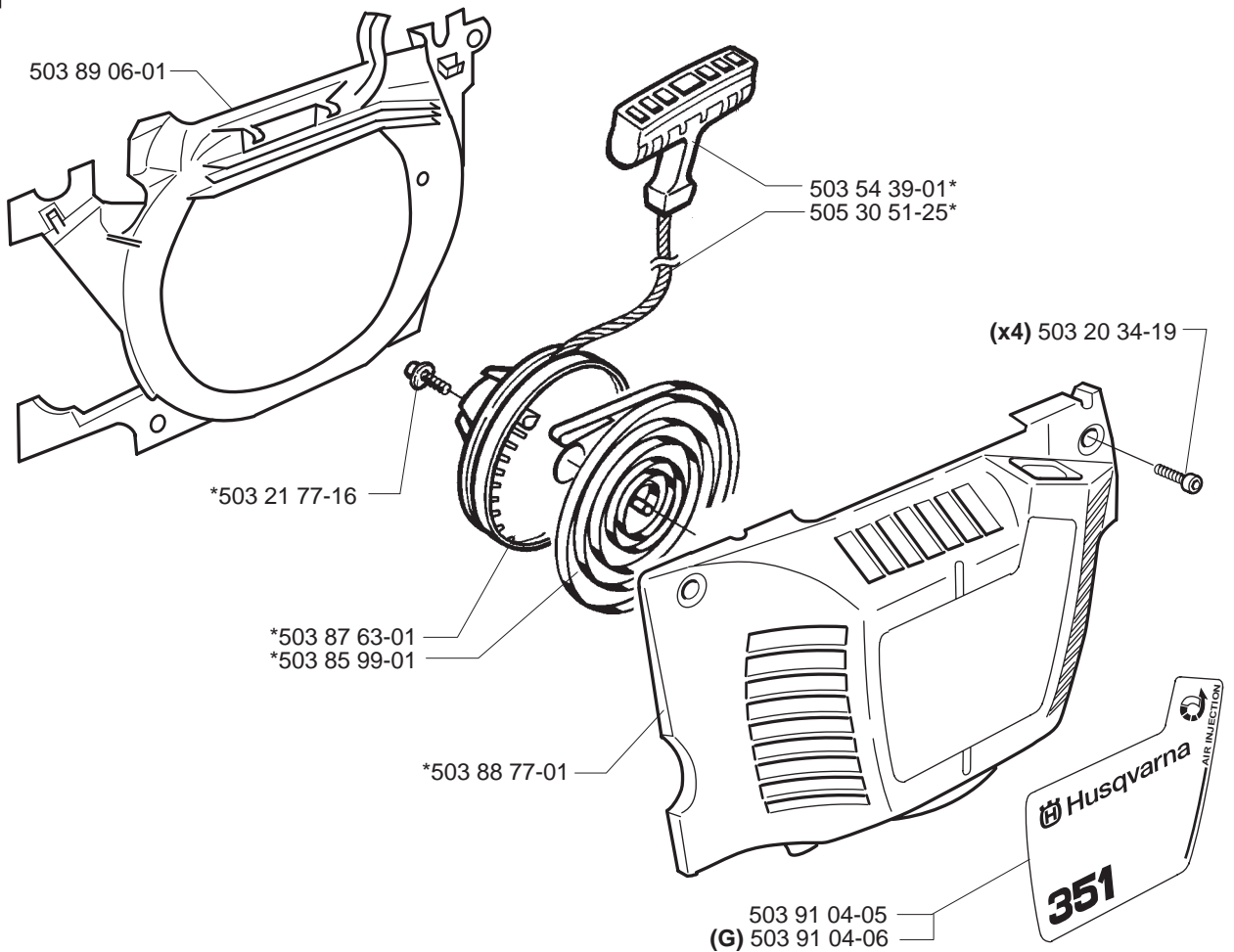
J***compl 503 86 37-71****K**

L

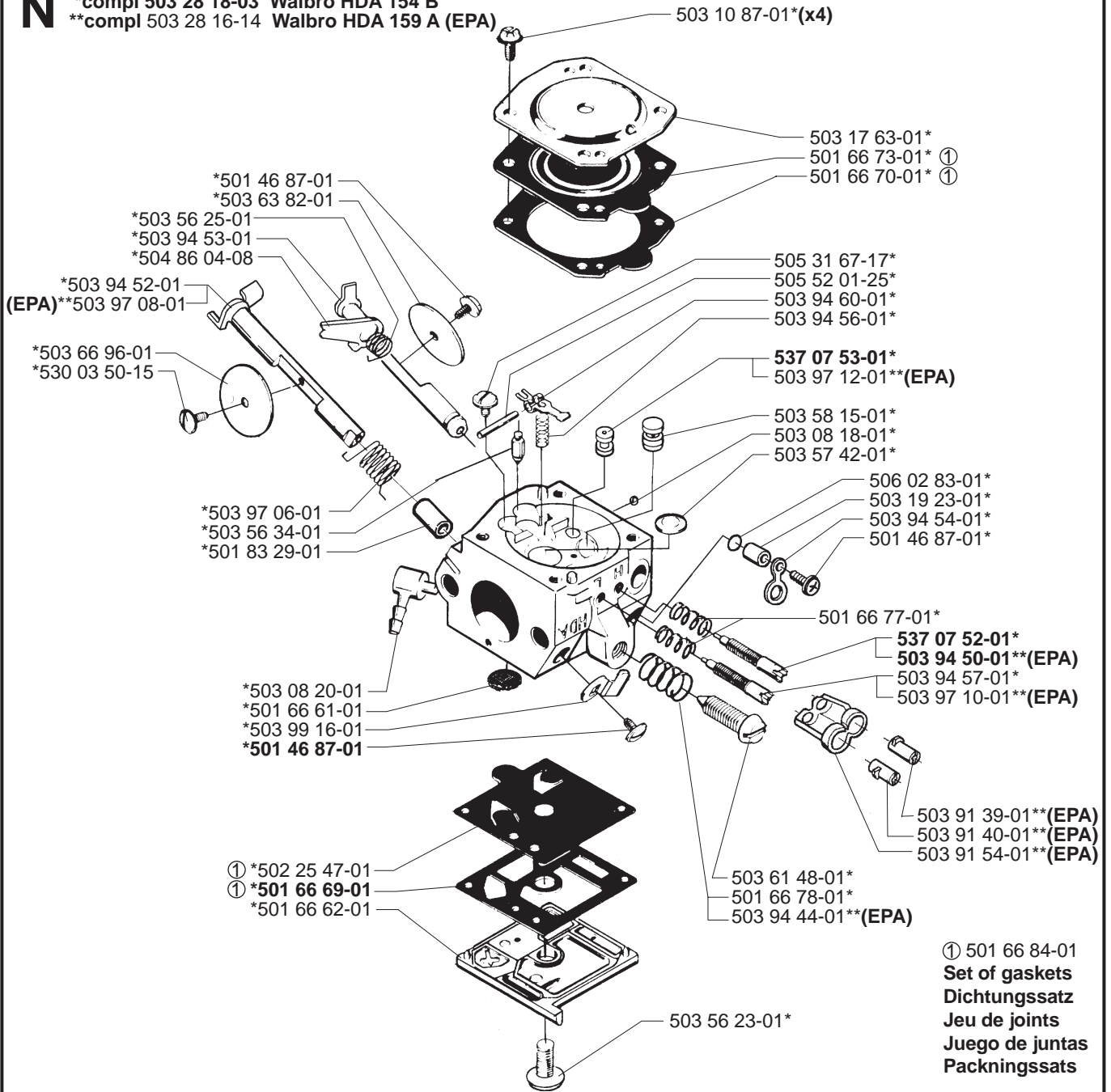


M

*compl 503 88 76-01

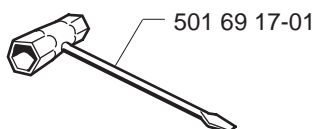
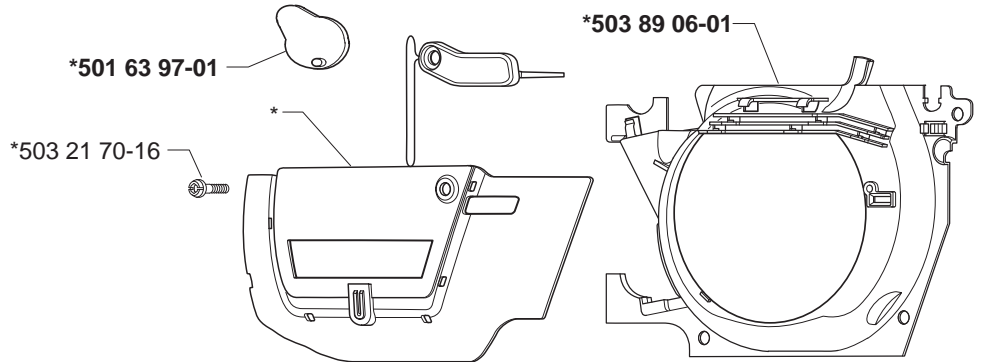


N *compl 503 28 18-03 Walbro HDA 154 B
 **compl 503 28 16-14 Walbro HDA 159 A (EPA)



P

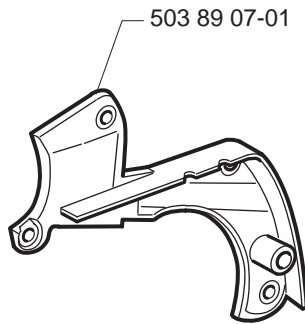
*compl 537 04 28-71 WINTER KIT



Q



Up to 991499999



MODEL 351, 351 EPA

| PART NUMBER | SQUARE NOTE | PART NUMBER | SQUARE NOTE | PART NUMBER | SQUARE NOTE | PART NUMBER | SQUARE NOTE |
|--------------|-------------|--------------|-------------|--------------|-------------|-------------|-------------|
| 501 45 16-01 | DE | 503 81 59-01 | B | 503 89 87-02 | L | | |
| 501 45 74-02 | B | 503 82 43-01 | L | 503 89 96-71 | D | | |
| 501 46 87-01 | N | 503 82 43-02 | L G | 503 90 39-01 | H | | |
| 501 48 54-02 | L | 503 85 08-02 | A N | 503 90 56-01 | H N | | |
| 501 62 68-01 | H | 503 85 41-01 | J | 503 90 59-01 | H | | |
| 501 62 98-01 | J | 503 85 44-01 | J | 503 90 71-01 | K G | | |
| 501 63 97-01 | CP | 503 85 45-01 | J | 503 90 90-01 | C | | |
| 501 66 61-01 | N | 503 85 47-01 | B | 503 90 93-01 | K | | |
| 501 66 62-01 | N | 503 85 52-01 | A | 503 90 93-02 | K G | | |
| 501 66 69-01 | N N1 | 503 85 53-01 | G | 503 91 04-05 | M | | |
| 501 66 70-01 | N 1 | 503 85 53-02 | G | 503 91 04-06 | M G | | |
| 501 66 73-01 | N 1 | 503 85 53-03 | G | 503 91 39-01 | N EPA | | |
| 501 66 77-01 | N | 503 85 66-01 | A | 503 91 40-01 | N EPA | | |
| 501 66 78-01 | N | 503 85 69-75 | H N | 503 91 54-01 | N EPA | | |
| 501 66 84-01 | N 1 COPL | 503 85 76-71 | E | 503 92 24-01 | K | | |
| 501 69 17-01 | P | 503 85 99-01 | M | 503 92 58-01 | K G | | |
| 501 81 96-02 | J | 503 86 25-01 | D 2 | 503 92 59-01 | K G | | |
| 501 83 29-01 | N | 503 86 26-01 | F | 503 92 61-01 | J G | | |
| 502 25 47-01 | N 1 | 503 86 27-02 | F | 503 92 95-01 | A | | |
| 503 08 18-01 | N | 503 86 28-02 | F | 503 93 04-01 | H | | |
| 503 08 20-01 | N | 503 86 36-01 | F | 503 93 05-01 | L G | | |
| 503 10 87-01 | N | 503 86 37-71 | J | 503 94 28-01 | N 2 COMPL | | |
| 503 17 63-01 | N | 503 86 62-01 | G | 503 94 44-01 | N EPA | | |
| 503 19 23-01 | N | 503 86 63-01 | G | 503 94 50-01 | N N EPA | | |
| 503 20 29-87 | F | 503 86 64-01 | G | 503 94 52-01 | N | | |
| 503 20 34-19 | M | 503 86 91-01 | H | 503 94 53-01 | N | | |
| 503 21 51-01 | H N | 503 86 92-01 | H | 503 94 54-01 | N | | |
| 503 21 70-10 | A | 503 86 93-01 | H | 503 94 56-01 | N | | |
| 503 21 70-16 | P | 503 86 94-01 | G | 503 94 57-01 | N | | |
| 503 21 71-16 | L | 503 86 95-01 | G | 503 94 60-01 | N | | |
| 503 21 74-12 | BH | 503 86 96-01 | G | 503 96 24-04 | L N | | |
| 503 21 74-25 | DL | 503 86 97-01 | G | 503 97 06-01 | N | | |
| 503 21 74-32 | H | 503 86 99-71 | D | 503 97 08-01 | N EPA | | |
| 503 21 74.50 | G | 503 87 30-71 | B | 503 97 10-01 | N EPA | | |
| 503 21 75-12 | H | 503 87 49-01 | H | 503 97 12-01 | N EPA | | |
| 503 21 75-20 | FH | 503 87 50-01 | H | 503 97 13-01 | D | | |
| 503 21 77-16 | M | 503 87 54-01 | H | 503 98 74-01 | C N | | |
| 503 21 88-16 | K | 503 87 56-01 | H | 503 99 16-01 | N | | |
| 503 21 88-25 | JK | 503 87 63-01 | M | 503 99 86-01 | J | | |
| 503 22 00-01 | A | 503 88 01-71 | B | 504 71 00-03 | B | | |
| 503 22 10-11 | L | 503 88 54-01 | H | 504 86 04-08 | N | | |
| 503 23 00-60 | B | 503 88 63-01 | H | 505 27 57-19 | E | | |
| 503 23 01-01 | L | 503 88 72-01 | H | 505 30 51-25 | M | | |
| 503 23 51-08 | D | 503 88 76-01 | M | 505 31 67-17 | N | | |
| 503 25 20-02 | E | 503 88 77-01 | M | 505 52 01-25 | N | | |
| 503 25 52-01 | B | 503 88 86-01 | H | 506 02 83-01 | N | | |
| 503 26 30-17 | J | 503 88 92-01 | G | 530 03 50-15 | N | | |
| 503 28 16-14 | GN EPA | 503 89 06-01 | MP | 537 02 71-01 | B N | | |
| 503 28 18-03 | GN N | 503 89 07-01 | Q | 537 02 90-01 | G N | | |
| 503 28 90-10 | D | 503 89 07-02 | A N | 537 02 99-01 | A N | | |
| 503 43 65-01 | H | 503 89 08-01 | A | 537 04 03-01 | H N | | |
| 503 44 32-01 | J | 503 89 13-01 | B | 537 04 28-71 | P N | | |
| 503 46 59-01 | A | 503 89 14-01 | B | 537 04 30-01 | A N | | |
| 503 54 39-01 | M | 503 89 15-01 | B | 537 07 52-01 | N N | | |
| 503 56 23-01 | N | 503 89 16-01 | B | 537 07 53-01 | N N | | |
| 503 56 25-01 | N | 503 89 17-01 | B | 720 12 40-20 | J N | | |
| 503 56 34-01 | N | 503 89 17-02 | B N | 721 11 64-30 | B N | | |
| 503 57 42-01 | N | 503 89 18-02 | A N | 721 12 07-40 | H N | | |
| 503 57 76-02 | J | 503 89 20-02 | B | 724 12 87-59 | F N | | |
| 503 57 89-01 | HJ N | 503 89 21-02 | B | 729 42 21-01 | J G | | |
| 503 58 15-01 | N | 503 89 24-01 | H | 735 31 08-20 | A | | |
| 503 60 04-01 | J | 503 89 29-01 | A | 737 44 10-00 | D | | |
| 503 61 48-01 | N | 503 89 30-01 | A | 738 22 02-25 | E | | |
| 503 63 82-01 | N | 503 89 44-01 | D 2 | | | | |
| 503 66 54-01 | D | 503 89 47-01 | H | | | | |
| 503 66 96-01 | N | 503 89 50-01 | L | | | | |
| 503 71 82-02 | K G | 503 89 60-01 | G | | | | |
| 503 78 32-01 | L | 503 89 64-01 | A | | | | |
| 503 79 05-02 | L | 503 89 66-01 | H | | | | |
| 503 81 56-01 | B | 503 89 83-01 | K | | | | |

1 = 501 66 84-01 Set of gaskets
 2 = 503 94 28-01 Dichtungssatz
 Jeu de joints
 Juego de juntas
 Packningssats

N = New part
 Neues teil
 Nouvelle piece
 Nueva pieza
 Ny detalj

EPA = Environmental Protection Agency