

339XP

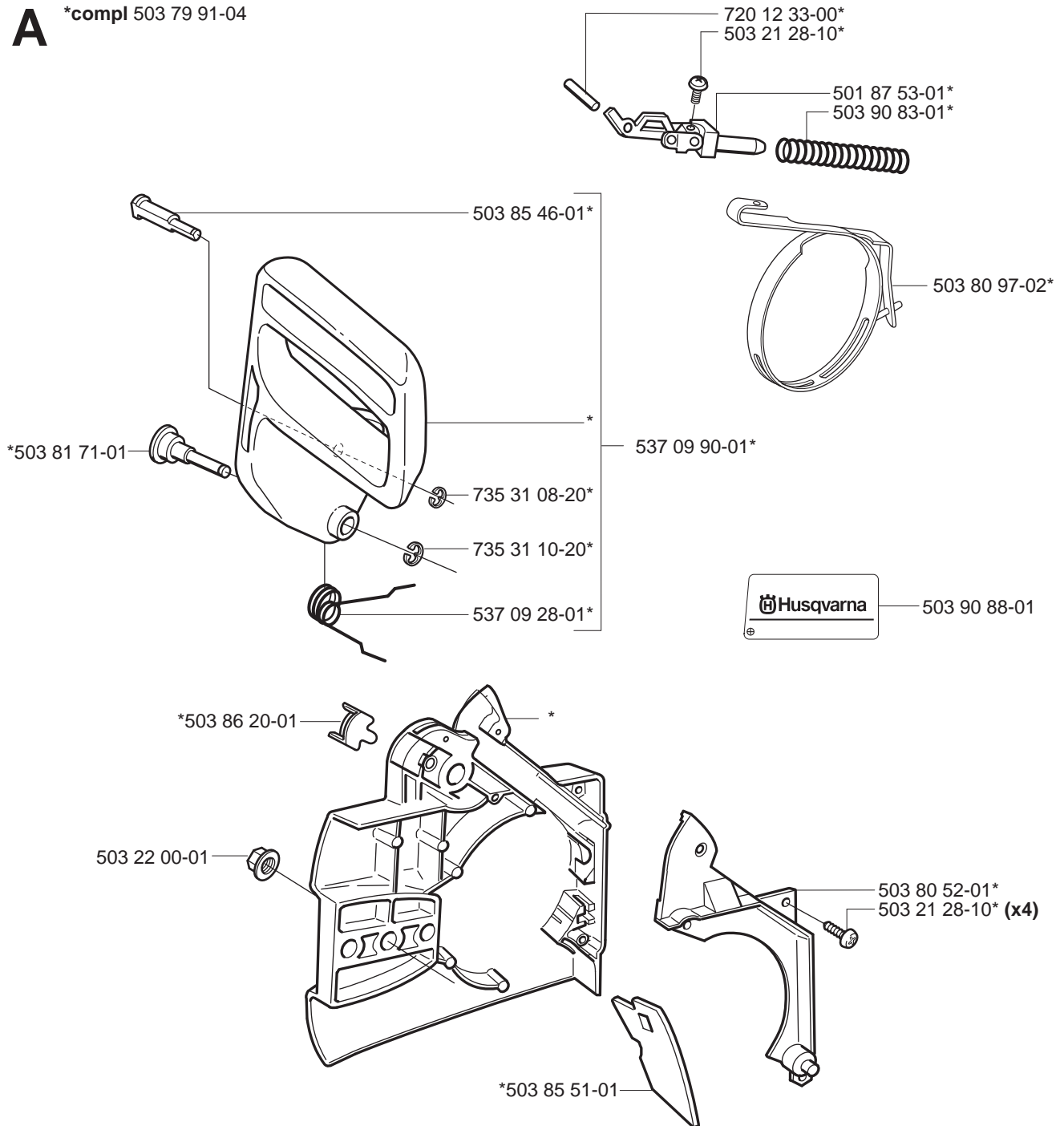
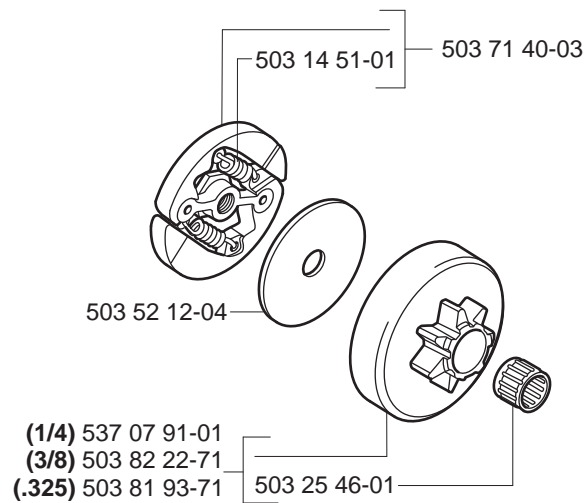
Spare parts
Ersatzteile
Pièces détachées
Reserve onderdelen
Repuestos
Reservdelar

PART NUMBER	SQUARE	NOTE	PART NUMBER	SQUARE	NOTE	PART NUMBER	SQUARE	NOTE	PART NUMBER	SQUARE	NOTE
501 45 27-02	L		503 79 22-04	L		537 09 90-01	A				
501 45 41-01	L		503 79 25-02	H		537 09 92-01	Q				
501 45 43-01	L		503 79 91-04	A		537 10 04-01	J				
501 48 54-02	G		503 80 52-01	A		537 10 65-01	L				
501 60 02-03	Q		503 80 83-02	L		537 11 16-01	Q				
501 62 33-01	L		503 80 97-02	A		537 11 32-03	J				
501 68 68-01	Q		503 81 71-01	A		537 11 41-01	Q				
501 69 17-01	Q		503 81 73-01	Q		537 12 68-06	J				
501 76 31-01	H		503 81 81-01	G		537 12 76-01	N				
501 81 92-01	L		503 81 85-01	H		537 13 20-01	J				
501 82 25-01	N		503 81 93-71	B		537 13 27-01	J				
501 83 44-09	Q		503 82 11-01	J		537 13 59-03	C				
501 87 53-01	A		503 82 17-01	F		537 13 73-01	Q				
502 11 46-02	Q		503 82 22-71	B		537 13 97-01	N				
502 20 65-03	C		503 82 25-03	H		537 15 77-02	J				
502 20 83-01	C		503 82 33-02	N		537 16 21-04	G				
503 14 51-01	B		503 82 98-01	N		537 16 24-02	H				
503 18 49-01	L		503 84 26-01	N		537 16 73-01	J				
503 20 02-16	F,L,N,Q		503 84 27-01	Q		537 18 00-01	J				
503 20 02-25	L		503 85 38-04	N		537 18 91-01	L				
503 20 02-40	L		503 85 46-01	A		537 19 07-01	E				
503 20 25-16	G		503 85 51-01	A		537 19 50-01	F				
503 20 32-16	D		503 86 20-01	A		537 20 19-01	H				
503 21 28-10	A		503 86 38-01	L		537 21 52-02	N				
503 21 57-16	M		503 90 09-01	G		537 21 52-04	N				
503 21 58-25	E,H		503 90 32-01	P		537 23 39-01	G				
503 21 75-50	D		503 90 33-01	P		537 24 18-01	P				
503 21 77-16	H		503 90 34-01	P		537 24 19-01	D				
503 22 00-01	A		503 90 83-01	A		537 26 12-01	Q				
503 22 10-11	G		503 90 88-01	A		537 26 74-01	D				
503 22 65-04	N		503 90 98-02	G		537 27 31-01	P				
503 23 00-16	L		503 92 42-01	G		537 27 33-01	P				
503 23 51-08	J		503 93 03-03	F		537 27 34-01	P				
503 25 46-01	B		503 93 45-02	K		537 27 35-01	P				
503 26 30-17	N		503 96 75-01	N		537 27 36-01	P				
503 26 30-17	N		503 97 40-01	P		537 27 37-01	P				
503 28 31-15	P		503 97 81-02	L		537 27 38-01	P				
503 28 34-05	D		503 97 82-01	L		537 27 39-01	P				
503 28 90-04	J		503 98 13-01	N		537 27 40-01	P				
503 41 41-01	J,K		503 98 62-01	L		537 27 41-01	P				
503 44 32-01	N		503 98 74-01	N		537 27 42-01	P				
503 47 89-01	P		503 98 94-02	L		537 27 43-01	P				
503 47 90-01	P		504 34 00-04	J		537 27 44-01	P				
503 47 96-01	P		505 30 51-25	H		537 27 45-01	P				
503 47 97-01	P		530 02 61-19	N		537 27 46-01	P				
503 48 00-01	P		537 01 25-01	P		537 27 47-01	P				
503 48 01-01	P		537 01 26-01	P		537 27 48-01	P				
503 48 11-01	P		537 01 97-01	P		537 27 49-01	P				
503 48 18-01	P		537 02 00-01	P		537 27 50-01	P				
503 48 18-01	P		537 02 01-01	P		537 28 23-01	N				
503 52 12-04	B		537 04 24-07	N		537 32 20-01	Q				
503 53 57-01	P		537 04 61-01	L		537 33 28-01	D				
503 54 39-01	H		537 05 11-01	N		537 37 67-01	K				
503 55 22-01	J		537 05 28-01	N		537 37 87-01	H				
503 55 66-01	N		537 05 54-01	E		537 38 83-01	P				
503 57 76-02	N		537 05 68-01	L		537 41 35-01	P				
503 57 76-02	N		537 05 93-01	N		537 42 64-01	Q				
503 57 89-01	N		537 06 35-01	N		537 43 18-01	Q				
503 57 89-01	N		537 07 04-01	N		720 12 33-00	A				
503 66 59-01	P		537 07 25-01	M		720 12 40-20	N				
503 71 02-03	G		537 07 40-01	N		720 12 75-20	N				
503 71 40-03	B		537 07 58-01	N		724 12 87-59	F				
503 71 82-01	N		537 07 60-02	D		735 31 08-20	A				
503 72 31-01	L		537 07 61-01	D		735 31 10-20	A				
503 73 58-01	N		537 07 61-02	D		737 44 10-00	J				
503 73 64-01	N		537 07 91-01	B							
503 78 92-01	L		537 08 64-01	N							
503 78 92-02	L		537 08 89-03	N							
503 78 92-03	L		537 09 28-01	A							
503 79 05-02	G		537 09 80-01	N							

Set of gaskets, Dichtungssatz,
Jeu de joints, Juego de juntas,
Packningssats

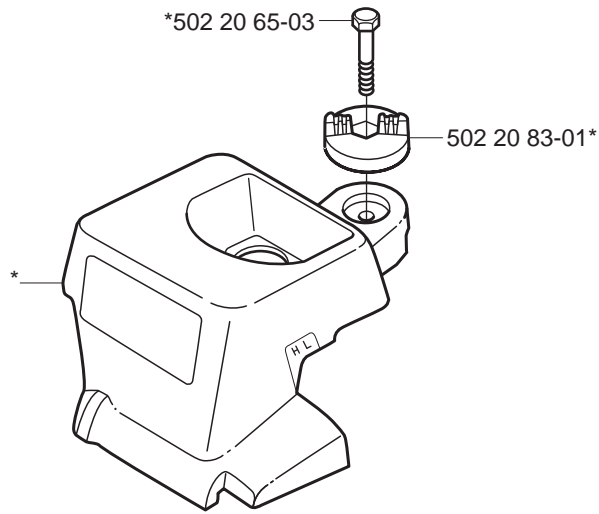
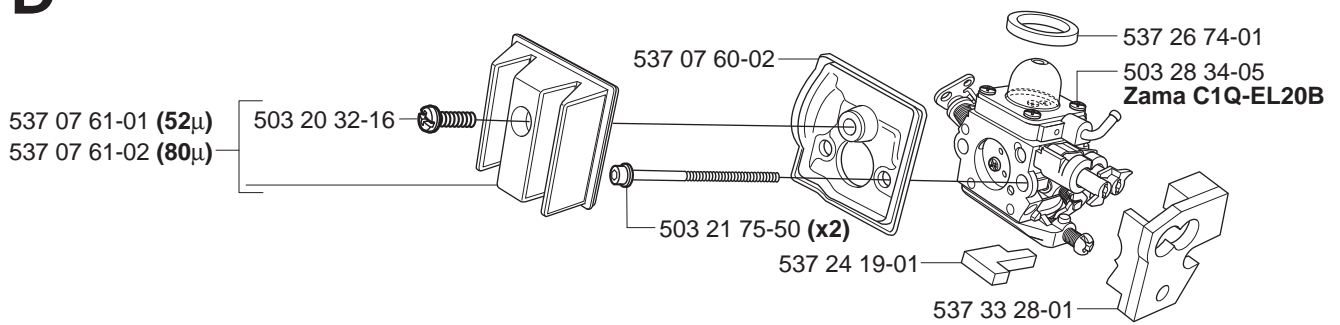
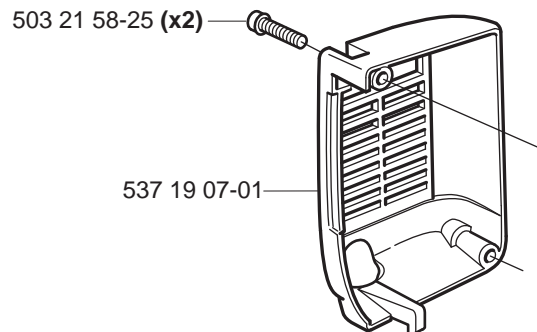
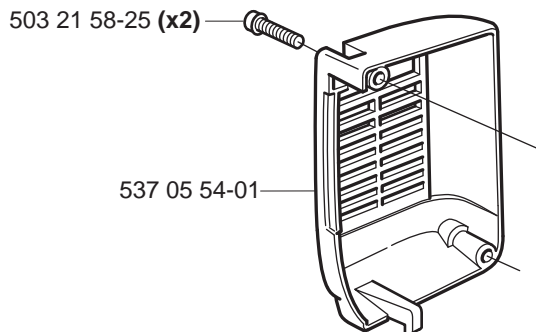
A

*compl 503 79 91-04

**B**

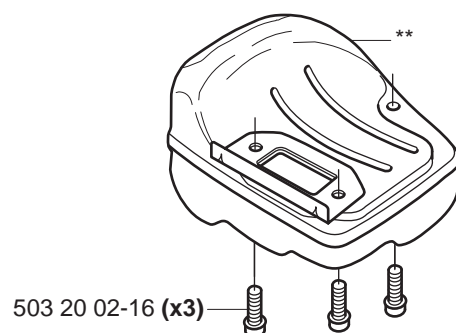
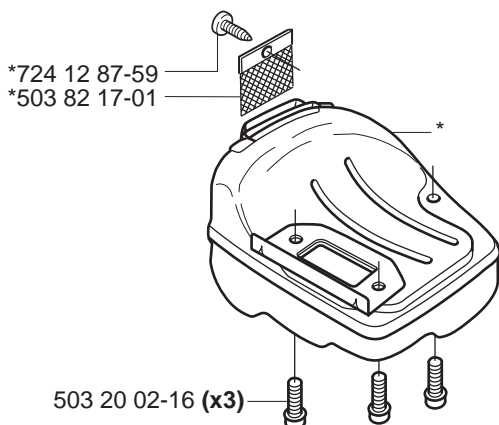
C

*compl 537 13 59-03

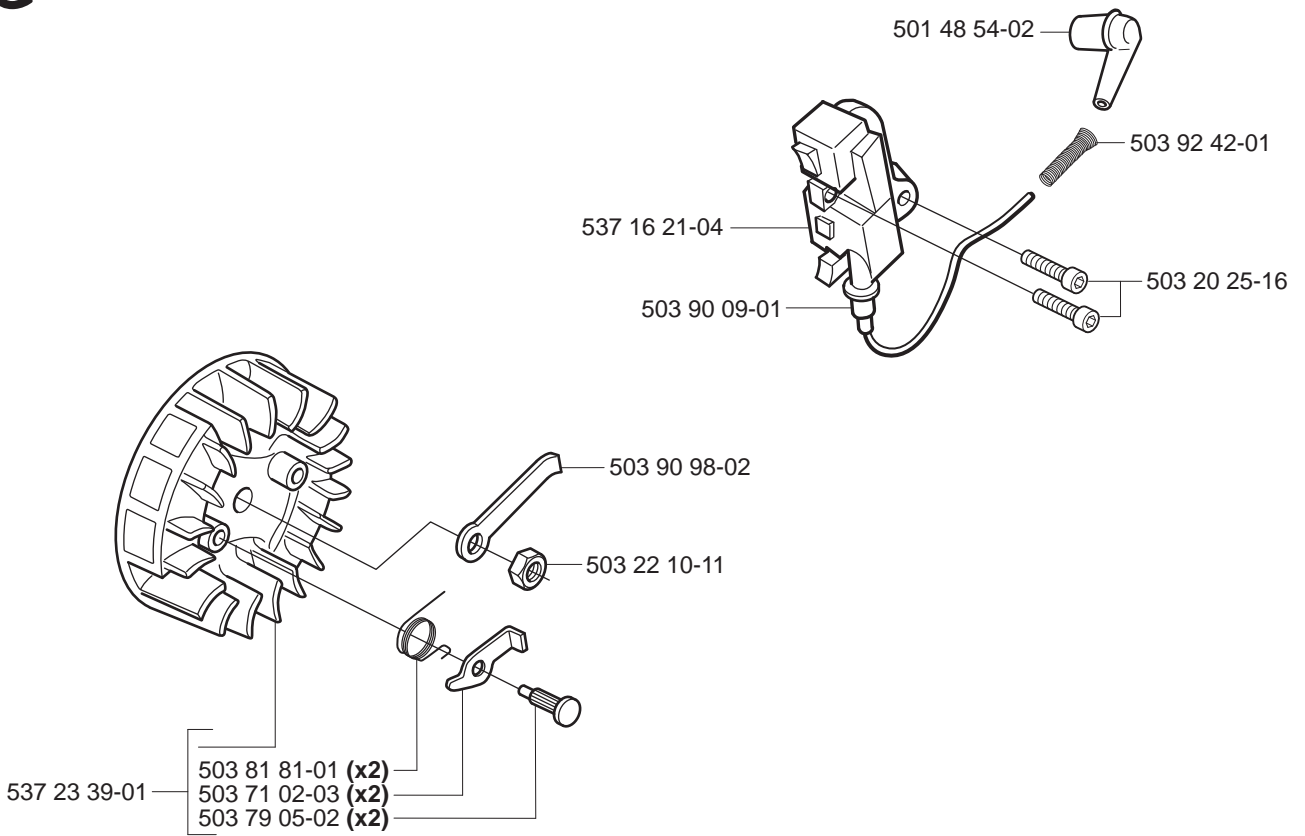
**D****E****F**

*compl 503 93 03-03

**compl 537 19 50-01

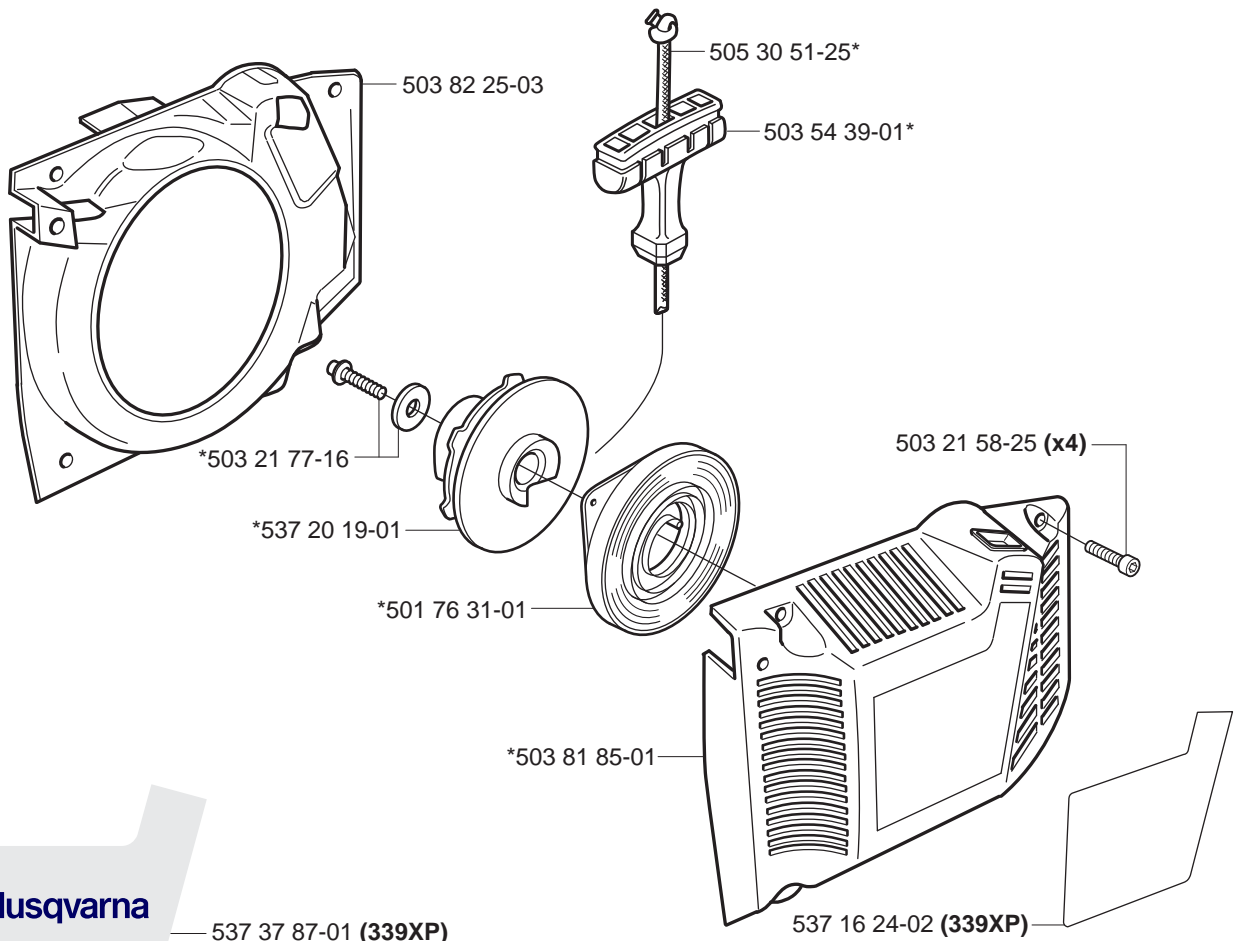


G



H

*compl 503 79 25-02



 **Husqvarna**

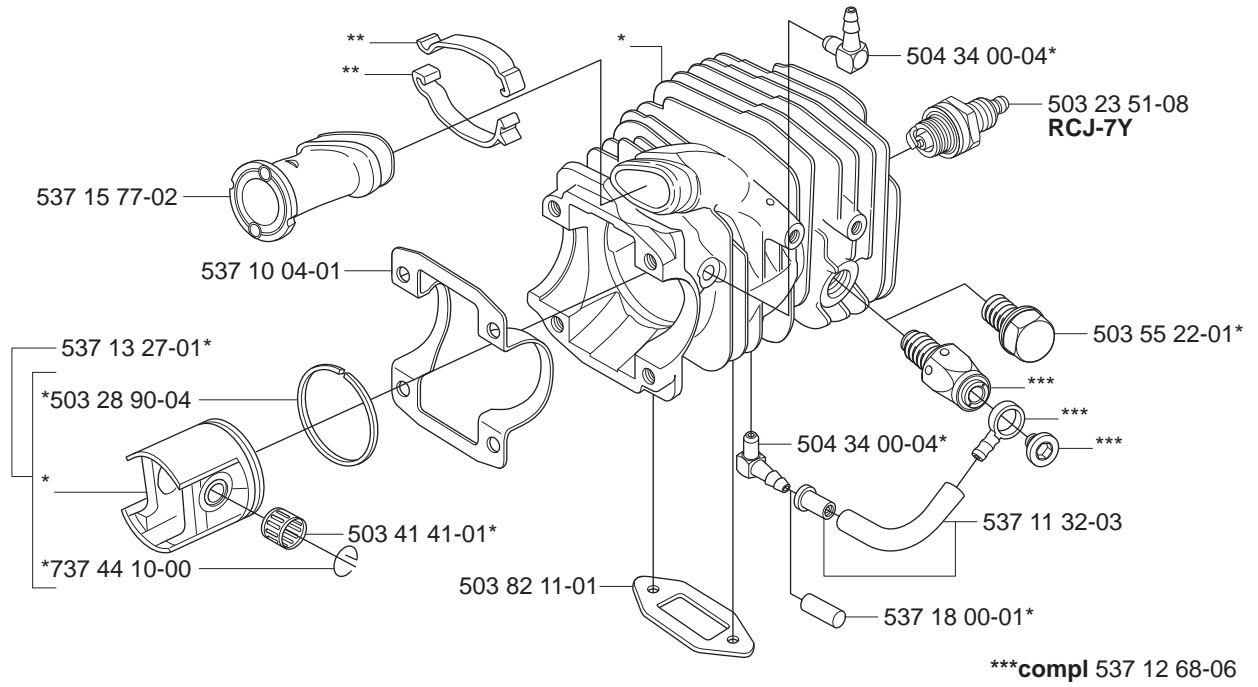
339XP

PAT. PEND.

J

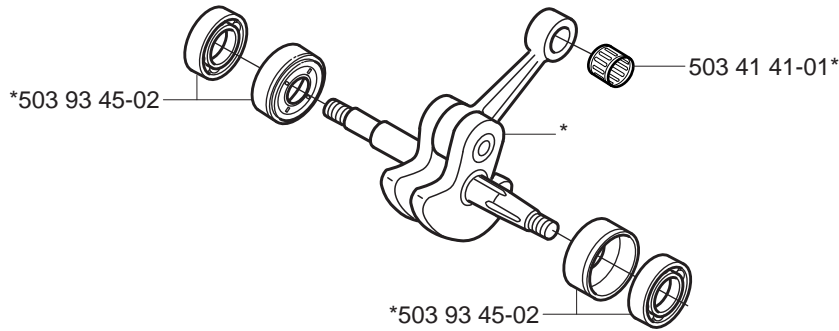
*compl 537 13 20-01

**compl 537 16 73-01



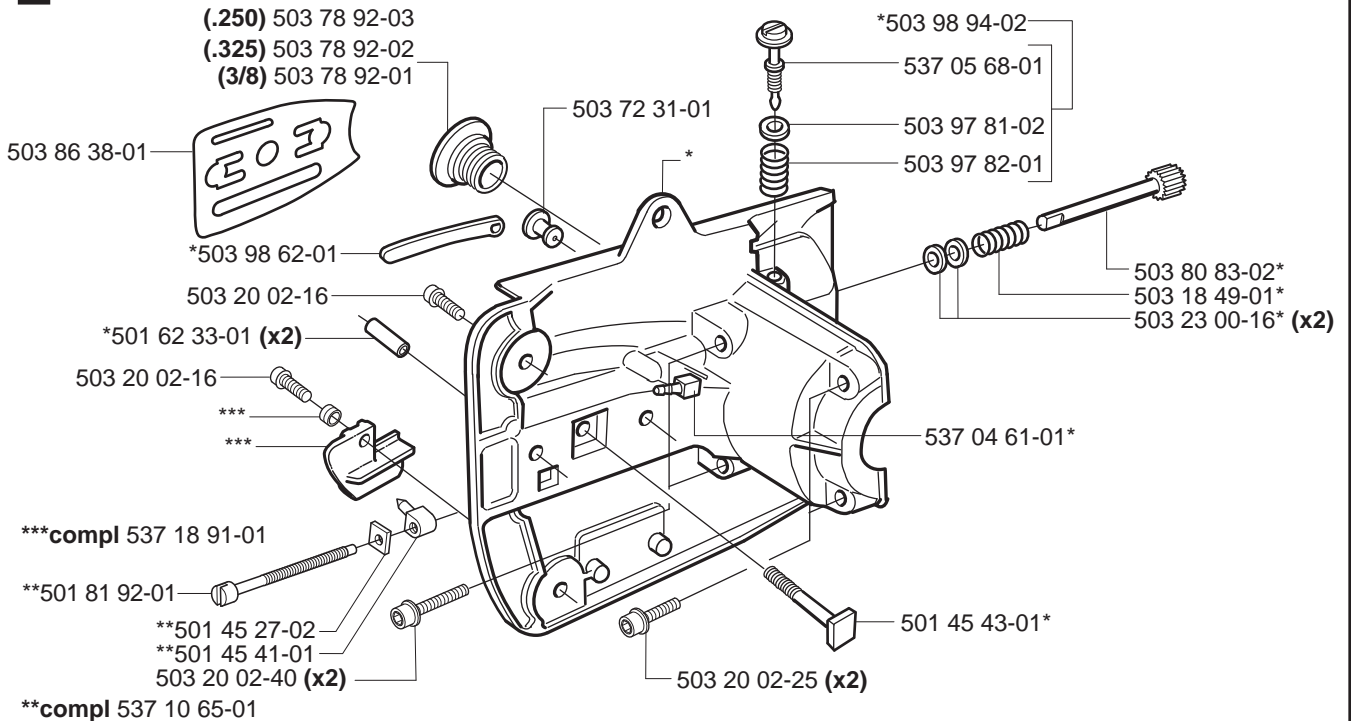
K

*compl 537 37 67-01

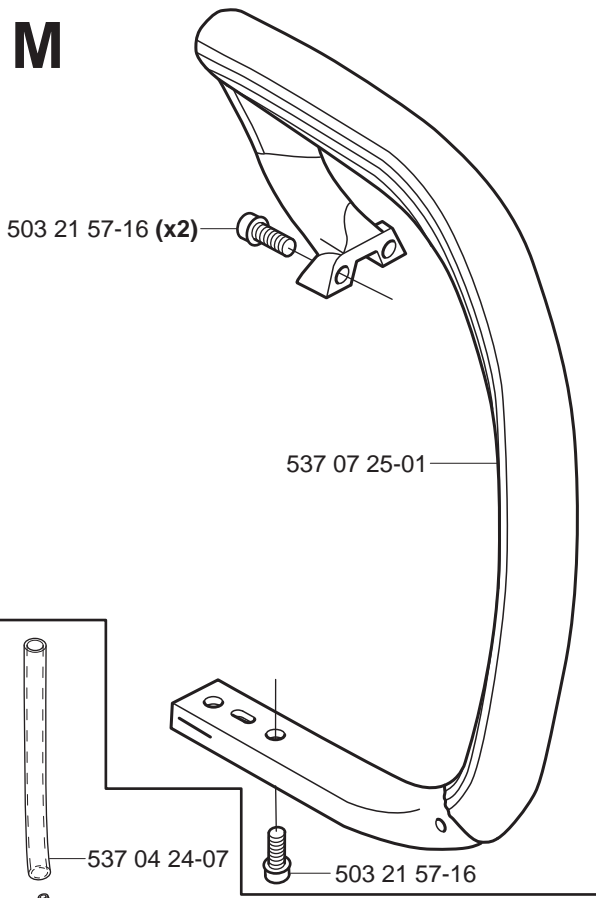


L

*compl 503 79 22-04

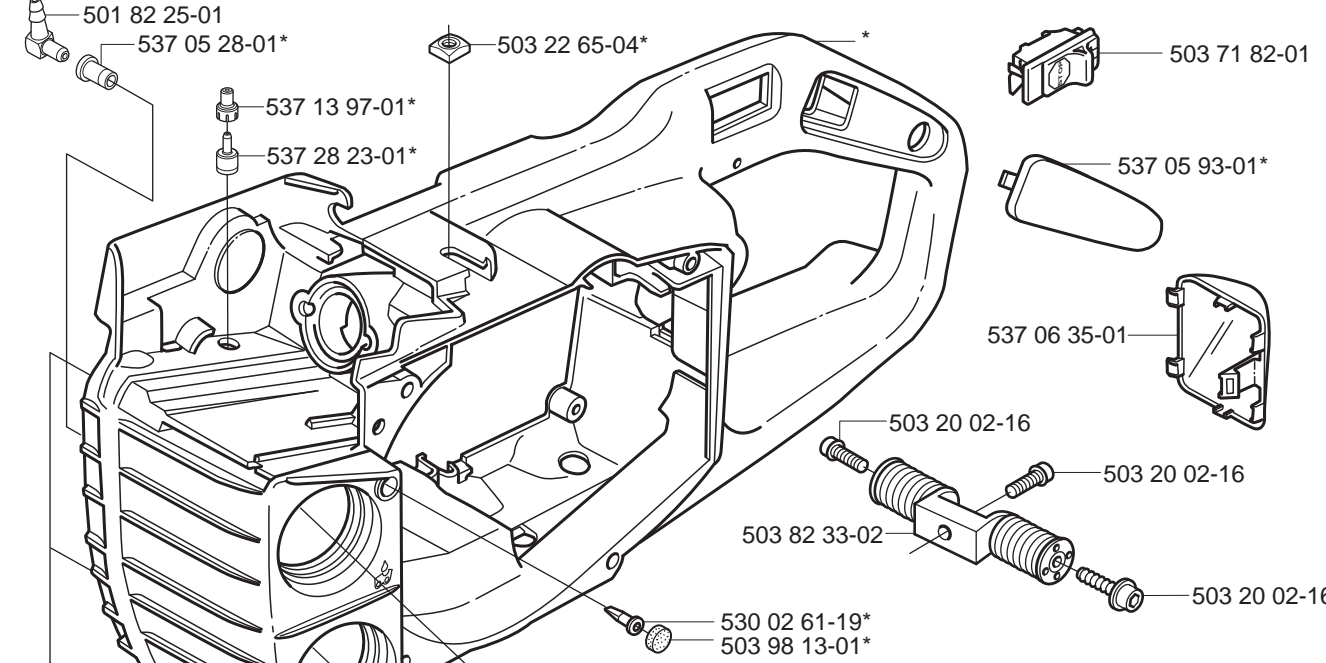
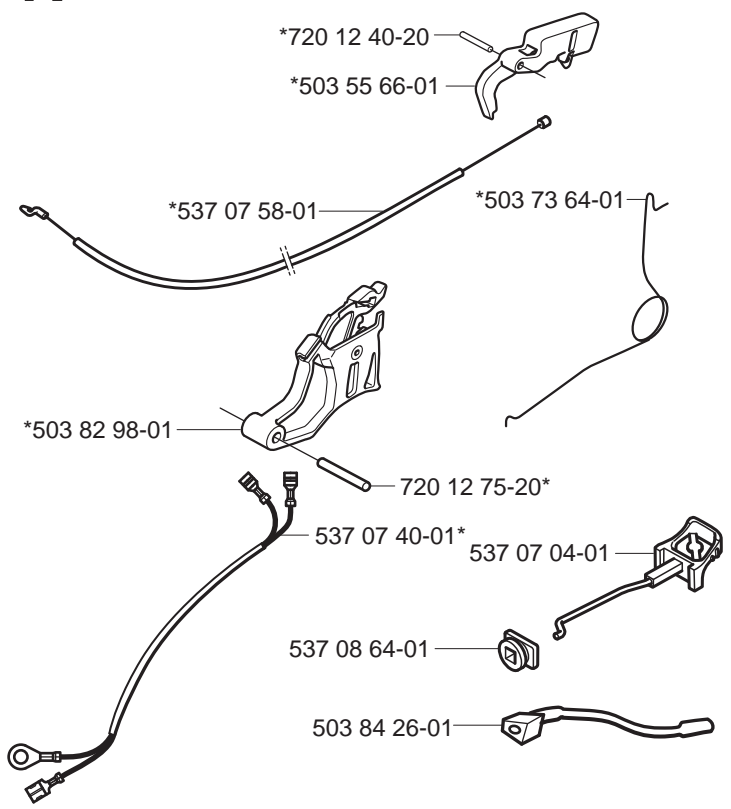


M



N

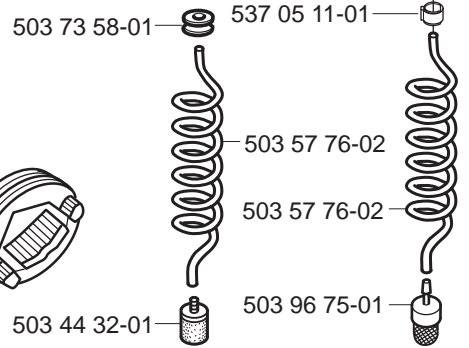
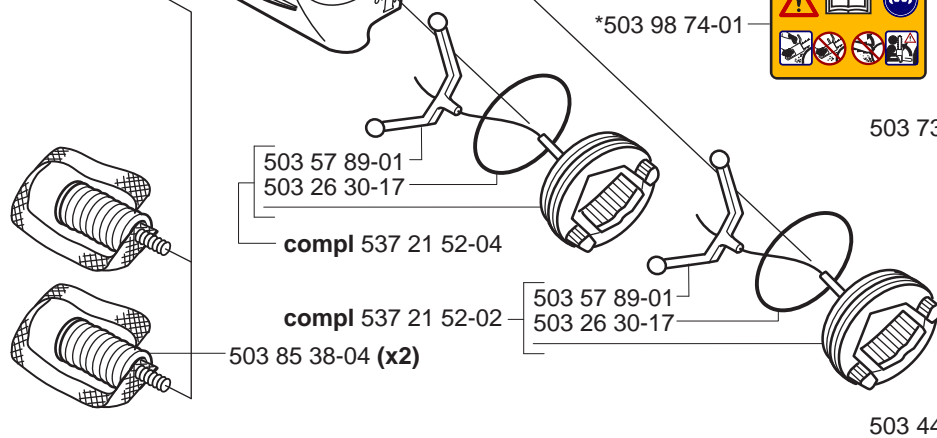
*compl 537 08 89-03



*503 98 74-01

537 12 76-01 OFF (JP only)

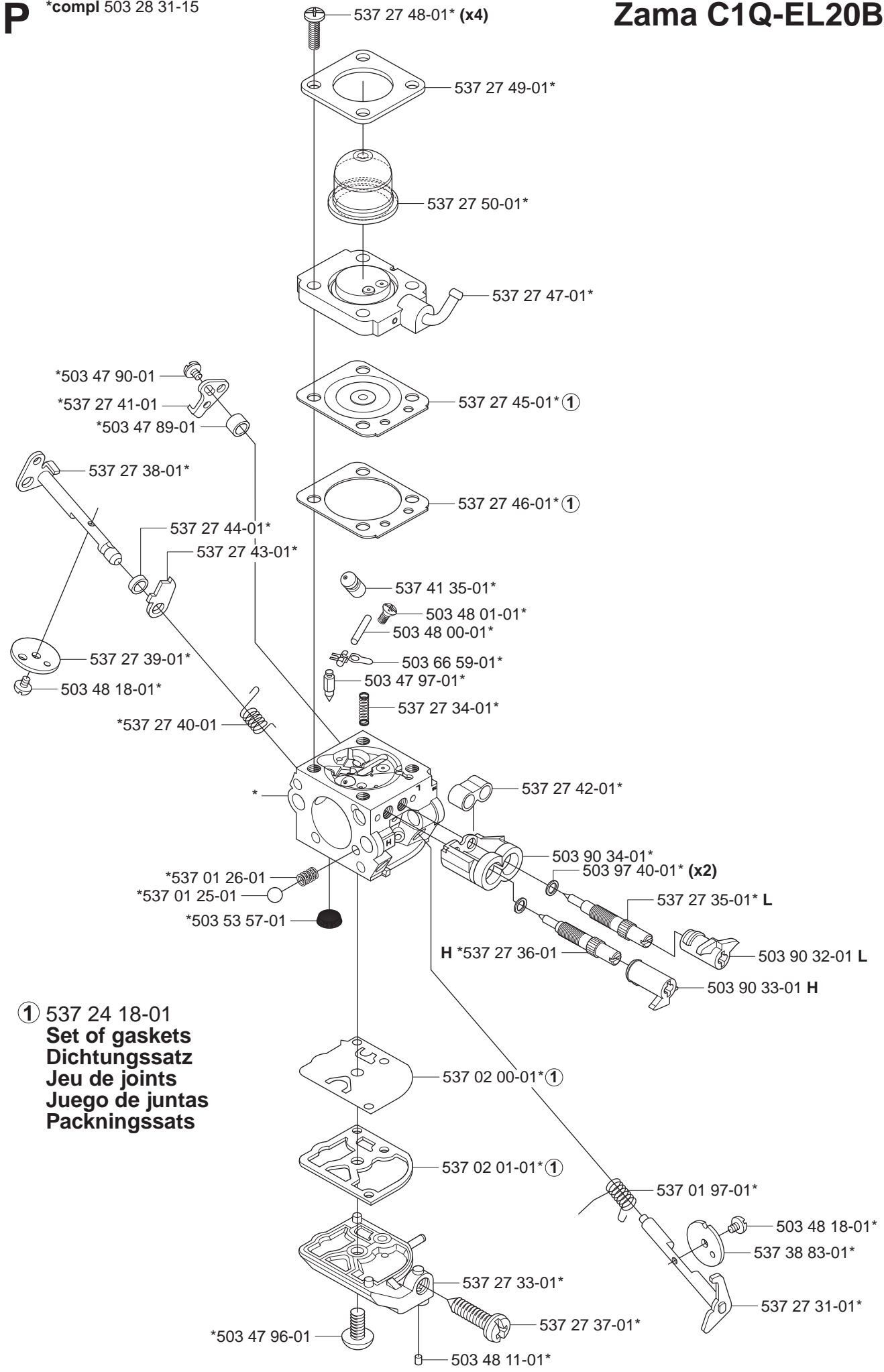
537 09 80-01 (JP only)



P

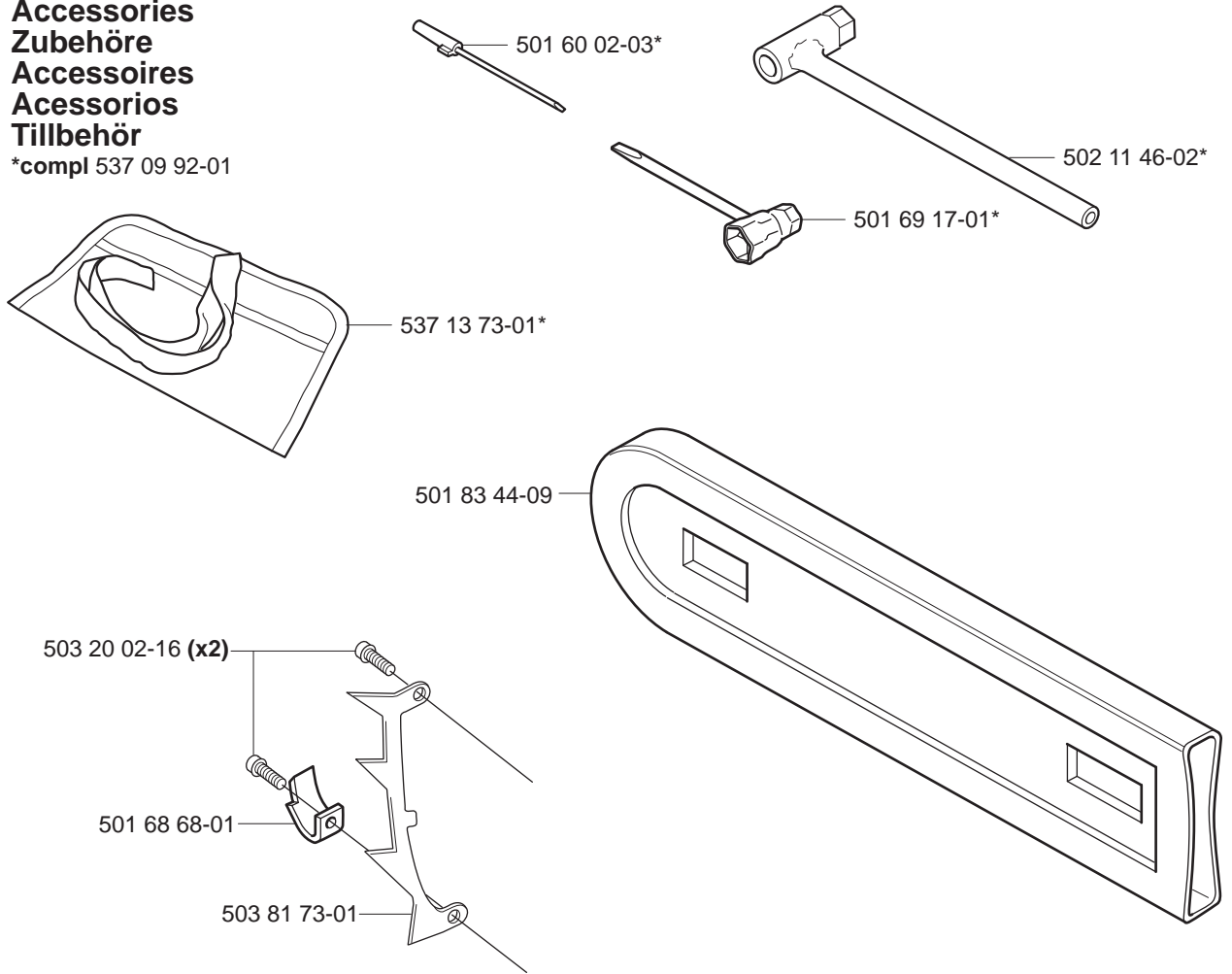
*compl 503 28 31-15

Zama C1Q-EL20B

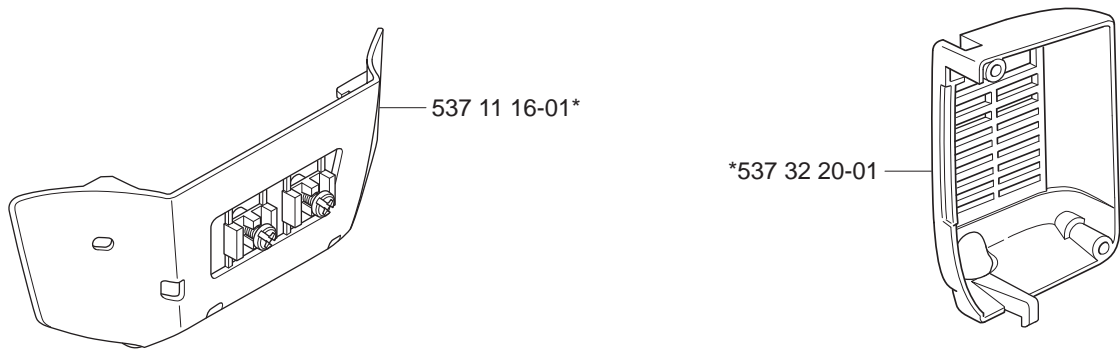


Q Accessories
Zubehöre
Accessoires
Acessorios
Tillbehör

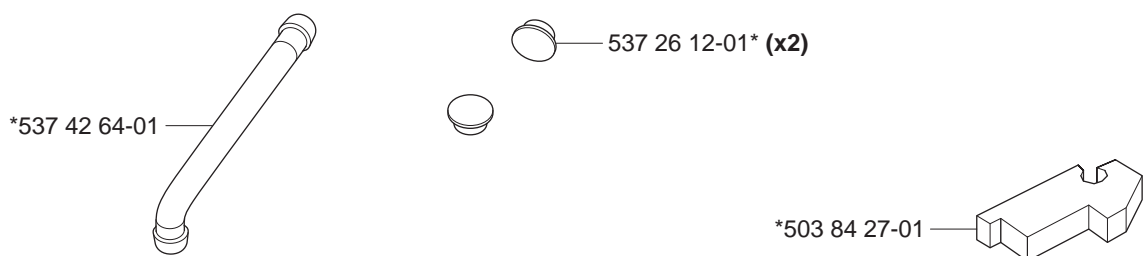
*compl 537 09 92-01



*compl 537 11 41-01



*compl 537 43 18-01



RECOMMENDED PARTS, ACCESSORIES, LUBRICANTS

339XP CHAINSAW

	<u>Item</u>	<u>Part Number</u>	<u>Description</u>
Normal Maintenance Parts	Air Filter	537 07 61-01	
	Spark Plug	503 23 51-11	Clamshell Version 531 30 06-88
	Muffler Cover	537 05 54-01	
	Spark Plug Cover	537 06 35-01	
	Fuel Filter	503 44 32-01	
	Ignition Module	537 16 21-04	
	Starter Housing Assy.	503 79 25-02	
	Switch On/Off	503 71 82-01	
	Front Handle	537 07 25-01	
	Chain Brake	503 79 91-04	
	Fuel Cap	537 21 52-04	Clamshell Version 531 30 03-56
	Oil Cap	537 21 52-02	
	Bar Nut	503 22 00-01	
	<u>Item</u>	<u>Part Number</u>	<u>Description</u>
Chainsaw Accessories	Bar	508 92 61-66	16" Pixel Bar (.325"),(.050"), <i>Clamshell Version: 531 30 04-36</i>
	Chain	501 84 06-66	H30-66, 16" Chain (.325").(.050"), <i>Clamshell Version: 531 30 04-37</i>
	Carrying Case	100 00 01-07	Powerbox Carrying Case with 20" Bar Protector
	Srench	531 30 03-85	Standard combination bar nut wrench, spark plug wrench, and screwdriver
	File Kit	505 69 81-90	File Kit includes: File handle, Combination file guide, 2 round files, and 1 flat file. Use with H30 chain.
	<u>Item</u>	<u>Part Number</u>	<u>Description</u>
Lubricants	Bar and Chain	610 00 00-14	Bar and Chain Lubricant - 1 Quart
		610 00 00-34	Bar and Chain Lubricant - 1 Gallon
	2 Cycle Low Smoke Oil	610 00 00-85	2 Cycle Low Smoke Oil - 2.6 oz (1 Gallon Mix)
		610 00 00-82	2 Cycle Low Smoke Oil - 6.4 oz (2.5 Gallon Mix)
	<u>Item</u>	<u>Part Number</u>	<u>Description</u>
Protective Apparel	Protective Glasses	605 00 04-15	Lexa- Clear lens
		605 00 04-16	Lexa- Grey lens
	Helmets	505 67 53-15	Helmet System (Husqvarna)
	Protective Gloves	531 30 02-73	Xtreme Duty Work Gloves (Medium)
		531 30 02-74	Xtreme Duty Work Gloves (Large)
		531 30 02-75	Xtreme Duty Work Gloves (X-Large)
	Chaps	605 00 00-13	Pro Forest Apron Chaps (Navy Blue)
		605 00 00-14	Pro Forest Apron Chaps (Orange)

Part Number	Description	Square	Part Number	Description	Square
501 45 27-02	NUT	L	503 90 83-01	SPRING	A
501 45 41-01	PAWL	L	503 90 88-01	DECAL	A
501 45 43-01	BOLT	L	503 90 98-02	WASHER	G
501 48 54-02	SPARK PLUG CONN. KIT	L	503 92 42-01	COVER	G
501 60 02-03	SCREWDRIVER	Q	503 93 03-03	MUFFLER	F
501 62 33-01	GUIDE BAR LOCATING PIN	L	503 96 75-01	OIL PLUMMET	N
501 68 68-01	CHAIN CATCHER	Q	503 97 40-01	WASHER	P
501 69 17-01	COMBI TOOL	Q	503 97 81-02	WASHER	L
501 76 31-01	RECOIL SPRING	H	503 97 82-01	SPRING	L
501 81 92-01	SCREW	L	503 98 13-01	PLUG	N
501 82 25-01	FUEL INLET-FITTING	N	503 98 62-01	GASKET	L
501 83 44-09	BAR PROT/13-16"	A	503 98 74-01	DECAL	L
501 87 53-01	KNEE-JOINT	Q	503 98 94-02	KIT	L
502 11 46-02	COMBI WRENCH	Q	504 34 00-04	NIPPLE	J
502 20 65-03	SCREW	C	505 30 51-25	STARTER ROPE	H
502 20 83-01	KNOB	C	530 02 61-19	VALVE-CHECK	N
503 14 51-01	CLUTCH SPRING	B	537 01 25-01	BALL	P
503 18 49-01	SPRING	L	537 01 26-01	SPRING	P
503 20 02-16	SCREW	F,L,N,Q	537 01 97-01	SPRING THROTTLE	P
503 20 02-25	SCREW	L	537 02 00-01	PUMP DIAPHRAGM	P
503 20 02-40	SCREW	L	537 02 01-01	GASKET	P
503 20 25-16	SCREW	G	537 04 24-07	HOSE	N
503 20 32-16	SCREW	D	537 04 61-01	NIPPLE	L
503 21 28-10	SCREW	A	537 05 11-01	CLAMP	N
503 21 57-16	SCREW	M	537 05 28-01	SLEEVE	N
503 21 58-25	SCREW	E,H	537 05 54-01	MUFFLER COVER	E
503 21 75-50	SCREW	D	537 05 68-01	SCREW	L
503 21 77-16	SCREW	H	537 05 93-01	INSERT	N
503 22 00-01	NUT M8 FLANGE	A	537 06 35-01	SPARK PLUG COVER	N
503 22 10-11	NUT M8X1	G	537 07 04-01	CHOLE CONTROL	N
503 22 65-04	NUT	N	537 07 25-01	HANDLE	M
503 23 00-16	WASHER 5.1X8.5	L	537 07 40-01	CABLE ASSY	N
503 23 51-08	SPARK PLUG RCJ7Y	J	537 07 58-01	THROTTLE WIRE	N
503 25 46-01	NEEDLE BEARING	B	537 07 60-02	PLATE	D
503 26 30-17	O-RING	N	537 07 61-01	AIR FILTER	D
503 26 30-17	O-RING	N	537 07 61-02	AIR FILTER	D
503 28 31-15	CARBURETOR	P	537 07 91-01	CLUTCH DRUM	B
503 28 34-05	CARBURETOR	D	537 08 64-01	GROMMET	N
503 28 90-04	RING	J	537 08 89-03	TANK	N
503 41 41-01	NEEDLE BEARING	J,K	537 09 28-01	SPRING	A
503 44 32-01	FUEL FILTER	N	537 09 80-01	DECAL	N
503 47 89-01	SPACER	P	537 09 90-01	HAND GUARD	A
503 47 90-01	SCREW	P	537 09 92-01	TOOL KIT	Q
503 47 96-01	SCREW	P	537 10 04-01	GASKET	J
503 47 97-01	INLET NEEDLE	P	537 10 65-01	CHAIN TENSIONER KIT	L
503 48 00-01	PIN FULCRUM	P	537 11 32-03	HOSE ASSY	J
503 48 01-01	SCREW	P	537 11 41-01	WINTER SET	Q
503 48 11-01	PLUG	P	537 12 68-06	VALVE DECOMPR	J
503 48 18-01	SCREW	P	537 12 76-01	DECAL	N
503 48 18-01	SCREW	P	537 13 20-01	CYLINDER	J
503 52 12-04	WASHER	B	537 13 27-01	PISTON	J
503 53 57-01	STRAINER	P	537 13 59-03	COVER	Q
503 54 39-01	STARTER HANDLE	H	537 13 73-01	TOLL BAG	C
503 55 22-01	CYLINDER PLUG	J	537 13 97-01	CAP	N
503 55 66-01	THROTTLE CATCH	N	537 15 77-02	PIPE	J
503 57 76-02	HOSE	N	537 16 21-04	IGNITION MODULE	G
503 57 76-02	HOSE	N	537 16 24-02	DECAL	H
503 57 89-01	HOLDER	N	537 16 73-01	CLAMP	J
503 57 89-01	HOLDER	N	537 18 00-01	PROTECTIVE CAP	J
503 66 59-01	LEVER	P	537 18 91-01	CHAIN CATCHER	L
503 71 02-03	PAWL	G	537 19 07-01	COVER	F
503 71 40-03	CLUTCH	B	537 19 50-01	MUFFLER	F
503 71 82-01	START/STOP SWITCH	N	537 20 19-01	STARTER PULLEY	H
503 72 31-01	BUSHING	L	537 21 52-02	TANK CAP	N
503 73 58-01	FUEL TANK BUSHING	N	537 21 52-04	TANK CAP LIGHT GRAY	N
503 73 64-01	SPRING	N	537 24 18-01	GASKET SET	P
503 78 92-01	PINION	L	537 24 19-01	SEALING	D
503 78 92-02	PINION	L	537 26 12-01	PLUG	Q
503 78 92-03	OIL PUMP PINION	L	537 26 74-01	SEALING	D
503 79 05-02	RIVET	G	537 27 31-01	SHAFT	P
503 79 22-04	CRANKCASE	L	537 27 33-01	COVER	P
503 79 25-02	STARTER DEVICE	H	537 27 34-01	SPRING	P
503 79 91-04	CHAIN BRAKE	A	537 27 35-01	LOW SPEED NEEDLE	P
503 80 62-01	COVER	A	537 27 36-01	NEEDLE HIGH SPEED	P
503 80 83-02	PUMP PISTON	L	537 27 37-01	SCREW	P
503 80 97-02	BRAKE BAND	A	537 27 38-01	SHAFT	P
503 81 71-01	SHAFT PIVOT	A	537 27 39-01	WASHER	P
503 81 73-01	FELLING DOG	Q	537 27 40-01	SPRING	P
503 81 81-01	SPRING	G	537 27 41-01	ARM	P
503 81 85-01	STARTER HOUSING	H	537 27 42-01	SLEEVE	P
503 81 93-71	CLUTCH DRUM	B	537 27 43-01	ARM	P
503 82 11-01	GASKET	J	537 27 44-01	WASHER	P
503 82 17-01	SCREEN	F	537 27 45-01	DIAPHRAGM	P
503 82 22-71	CLUTCH DRUM	B	537 27 46-01	GASKET	P
503 82 33-02	VIBRATION ABSORBER	N	537 27 47-01	COVER	P
503 82 98-01	THROTTLE TRIGGER	N	537 27 48-01	SCREW	P
503 84 26-01	HOSE	N	537 27 49-01	WASHER	P
503 84 27-01	FOAM INSULATOR	Q	537 27 50-01	PURGE	P
503 85 38-04	ANTI-VIBE ELEMENT	N	537 28 23-01	AIR CONDUCTOR	N
503 85 46-01	PIN	A	720 12 33-00	PIN 3X10	A
503 85 51-01	PROTECTOR	A	720 12 40-20	PIN 3X25	A
503 86 20-01	GUIDE	A	720 12 75-20	PIN	N
503 86 38-01	PLATE	L	724 12 87-59	SCREW	F
503 90 09-01	GROMMET	G	735 31 08-20	E-RING 4	A
503 90 32-01	LIMITER CAP	P	735 31 10-20	C-WASHER	J
503 90 33-01	LIMITER CAP	P	737 44 10-00	LOCKING RING	A
503 90 34-01	SLEEVE	P			