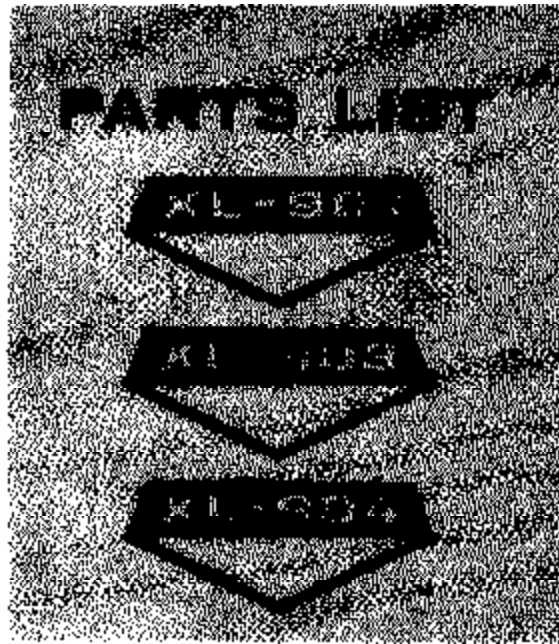
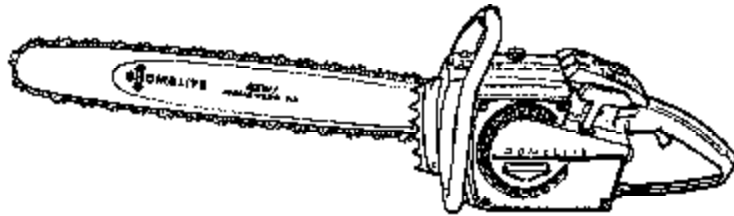


PRICE 25



HOMELITE®



HOMELITE XL-901, XL-903, & XL-904 CHAIN SAW

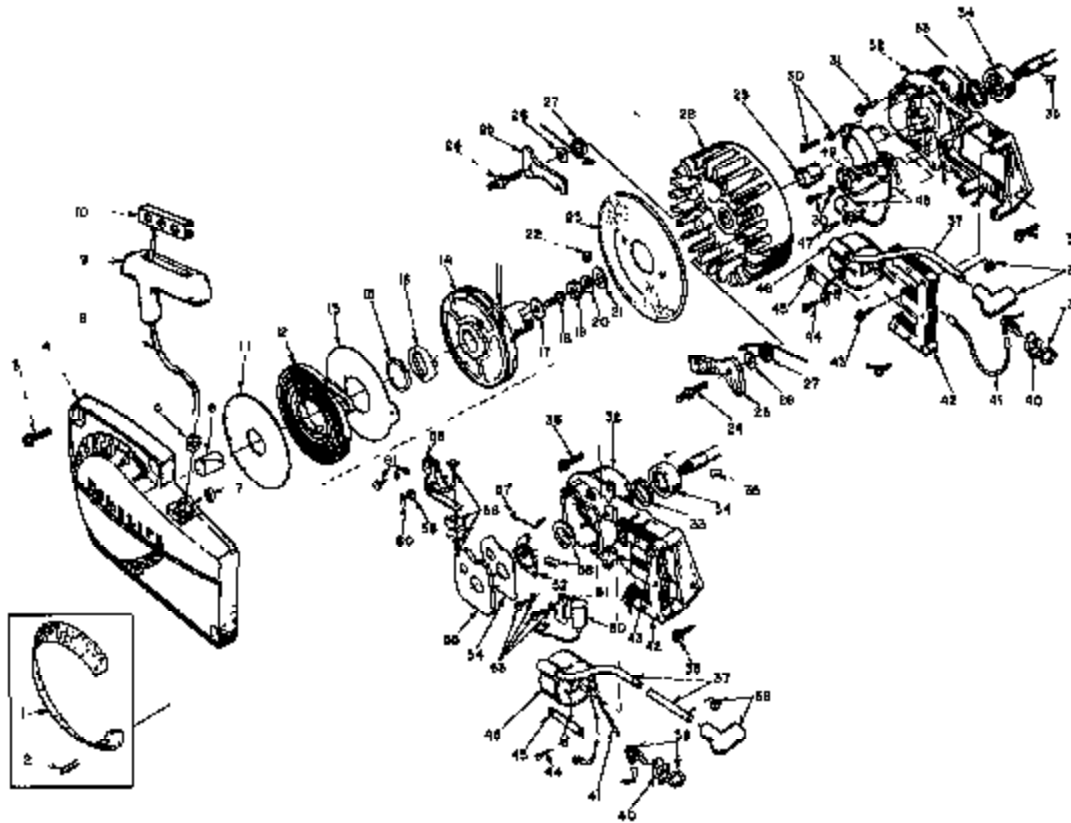


FIGURE 1

No.	Description	Part No.	XL 901	XL 903	XL 904	Qty.	No.	Description	Part No.	XL 901	XL 903	XL 904	Qty.
1	SCREEN - (optional)	A-64421	X	X	X	1	31	SCREW - hex, 12-24 x 5/8	B0707			X	3
2	Includes: FASTENER-screen (optional)	84418-1	X	X	X	6	32	PLATE - back	A-68853	X	X	X	1
3	SCREW - hex, 12-24 x 5/8	80878	X	X	X	4	33	PLATE - back & trigger	A-60766			X	1
4	HOUSING - fan	A-84504	X	X	X	1	34	Includes: SEAL	88688-A	X	X	X	1
5	Includes: BUSHING - rope	88313	X	X	X	1	35	BEARING - roller	83185	X	X	X	1
6	BUSHING - starter post	64443	X	X	X	1	36	KEY	75078	X	X	X	1
7	BUSHING - rewind spring	85830	X	X	X	1	37	SCREW - hex, 12-24 x 11/16	80761	X	X	X	4
8	ROPE - starter	88906	X	X	X	1	38	SCREW - hex, 12-24 x 11/16	80761			X	1
9	GRIP - rope	88316	X	X	X	1	39	LEAD - in tension	82632	X	X	X	1
10	INSERT	88847	X	X	X	1	40	TERMINAL - spark plug	A-38058	X	X	X	1
11	SHIELD - spring (inner)	88568	X	X	X	1	39	SWITCH - w/out	A-57850-3	X	X	X	1
12	SPRING - rewind	83888-A	X	X	X	1	40	PLATE - "On-Off"	72085-A	X	X	X	1
13	SHIELD - spring (outer)	85585-A	X	X	X	1	41	LEAD - ground	A-69081	X	X	X	1
14	PULLEY and Cup Assembly	A-84446	X	X	X	1	42	CORE - coil	82630	X	X	X	1
15	Includes: BUSHING - spring lock	84400	X	X	X	1	43	SCREW - core	84081	X	X	X	4
16	LOCK - spring	84049-A	X	X	X	1	44	SCREW - coil clip	88872	X	X	X	1
17	WASHER - retaining	88783	X	X	X	1	45	CLIP - coil retaining	88726	X	X	X	1
18	SCREW - hex 10-32 x 1/2	80648	X	X	X	2	46	COIL - ignition	88825	X	X		1
19	NUT - hex, 3/8-24	81124	X	X	X	1	47	COIL - ignition	88848-A			X	1
20	WASHER - lock, 3/8	83182	X	X	X	1	48	SCREW - condenser clamp	64022			X	1
21	WASHER - flat, 5/8	84011-1	X	X	X	1	49	SWITCH & CONDENSER	80782			X	1
22	NUT - lock, 10-32	81109-3	X	X	X	2	49	WASHER - external tooth, 48	83029			X	1
23	SCREW - air	84197-A	X	X	X	1	50	CONDENSER - ignition	82828	X	X		1
24	STUD - pawl	88757-B	X	X	X	2	51	CLAMP - condenser	83627	X	X		1
25	PAWL - starter	88758	X	X	X	2	52	RETAINER - felt	88820	X	X		1
26	WASHER	88851	X	X	X	2	53	SCREW	55411	X	X		1
27	SPRING - pawl	88758	X	X	X	2	54	GASKET - cover	88316	X	X		1
28	ROTOR	88900	X	X	X	1	55	DOVER - breaker box	88317	X	X		1
29	ROTOR	88837			X	1	56	TERMINAL BLOCK GROUP	A-58834	X	X		1
30	CAP - dust	84002			X	1	57	SPRING - cover (clip)	78413	X	X		1
	SCREW - pan, 8-32 x 1/2	85788			X	2	58	POINT SET - w/kelta	A-60881	X	X		1
							58	Includes: WASHER - point	88028	X	X		1
							60	CLIP - post	89008	X	X		1
							61	SCREW GROUP - points	78421	X	X		1

* Denotes new parts.

ALWAYS FURNISH MODEL AND SERIAL NUMBER WHEN ORDERING PARTS

HOMELITE XL-901, XL-903, & XL-904 CHAIN SAW

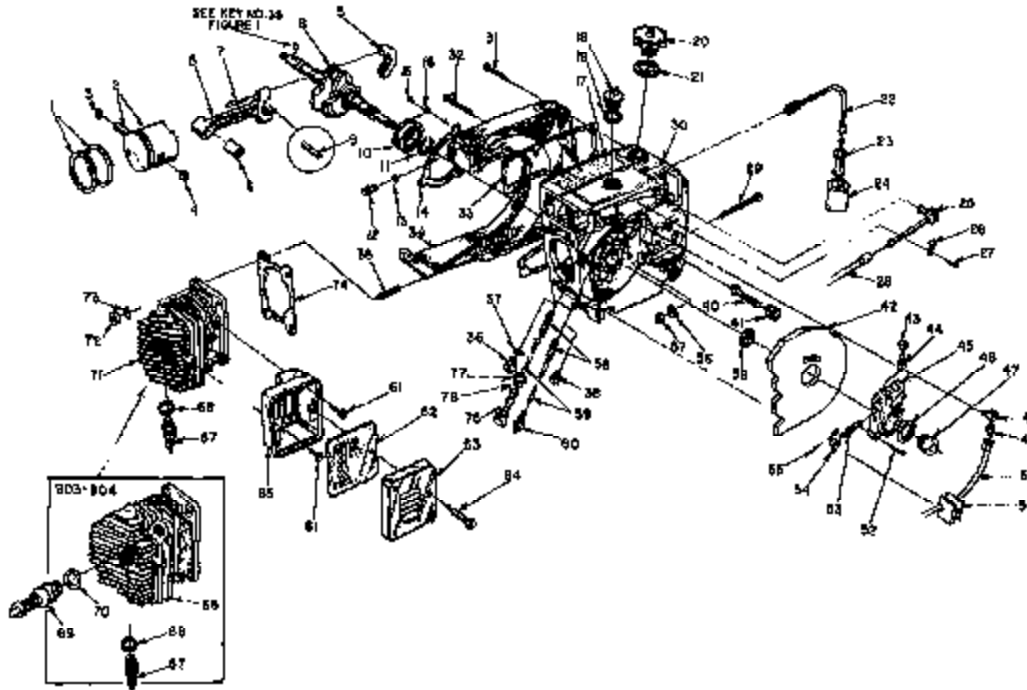


FIGURE 2

No.	Description	Part No.	XL 901	XL 903	XL 904	Qty.	No.	Description	Part No.	XL 901	XL 903	XL 904	Qty.
1	RING - piston (2" bore)	55038	X			2	35	STUD	66873	X	X	X	4
	RING - piston (2 1/16" bore)	55037		X	X	2	36	CAP	63115	X	X	X	1
2	PISTON & PIN - 2" bore	A-63780-A	X			1	37	WASHER	64138	X	X	X	1
	Includes: RING - retaining	55005	X	X	X	1	38	PLUG - pipe	66037	X	X	X	1
3	Includes: RING - retaining	64745	X	X	X	1	39	SEAL	66688-A	X	X	X	1
4	ROD - connecting	A-63200	X	X	X	1	40	STUD - guide bar	66784-A	X	X	X	2
5	Includes: BEARING - needle	69861	X	X	X	1	41	INSERT - threaded	69896-A	X	X	X	2
6	BOREW - socket	80805	X	X	X	2	42	SHIELD - saw dust	A-64715	X	X	X	1
	cap, 8-32 x 3/16"	80805	X	X	X	2	43	SCREW - gear	59737	X	X	X	1
8	CRANKSHAFT	39625-1	X			1	44	GASKET	69726		X	X	1
	CRANKSHAFT	39625-2		X	X	1	45	HOUSING - automatic oiler	A-63481-B		X	X	1
9	BEARING - needle (28 rollers)	A-64521	X	X	X	1	46	SEAL - felt	69828	X	X	X	1
10	BEARING - ball	59190-S	X	X	X	1	47	GEAR - worm	69875		X	X	1
11	RING - retaining	59319-A	X	X	X	1	48	CONNECTOR - elbow	31734	X	X	X	1
*12	VALVE - sheek	A-66608	X	X	X	1	*49	FITTING - straight	66666	X	X	X	1
*13	"O" RING	66613	X	X	X	1	*50	LINE - oil	A-66703	X	X	X	1
14	GASKET - sealing	63219	X	X	X	1	*51	GROMMET - oil line	55357	X	X	X	1
15	SCREW - bearing retaining	69704	X	X	X	2	52	SCREW - fil., 8-32 x 3/4	66248		X	X	3
16	WASHER - lock	69705	X	X	X	2	53	PLUNGER - gear	69780	X	X	X	1
17	DECAL - caution	64144	X	X	X	1	54	BEARING - flanged	69719		X	X	1
18	CAP - oil (vented)	A-64310	X	X	X	1	55	SCREW - pan, 4-40 x 1/4	69818		X	X	2
19	Includes: GASKET	66807	X	X	X	1	56	PIN - guide bar adjusting	69783-1	X	X	X	1
	VALVE - vent (not shown)	63728	X	X	X	1	57	NUT - lock, 1/4-20	61708	X	X	X	1
*20	CAP - fuel	A-65809	X	X	X	1	58	FILTER - oil	A-64283	X		X	2
	Includes: GASKET	69867	X	X	X	1	59	FILTER - oil	69606	X		X	1
21	LINE - flexible fuel	66598	X	X	X	1		LINE - oil pickup	69606	X		X	2
22	FILTER - fuel	A-59251	X	X	X	1		LINE - oil pickup	69606		X	X	1
23	Includes: FILTER	69279	X	X	X	1	*60	CONNECTOR - oil filter	66689	X	X	X	1
*24	LINE - fuel	A-65698	X	X	X	1	61	SCREW - hex, 12-24 x 5/8	60876	X	X	X	3
*25	CLAMP - fuel line	65597-1	X	X	X	1	62	BAPPLE - muffler	63521-A	X	X	X	1
27	SCREW - pan, 6-32 x 3/16	60605	X	X	X	1	63	CAP - muffler	63520-B	X	X	X	1
*28	LINE - fuel	66728	X	X	X	1	64	SCREW - shoulder	63521-A	X	X	X	3
29	SCREW - guide bar adjusting	63367	X	X	X	1	65	BODY - muffler	A-83536-1A	X	X	X	1
*30	CRANKCASE & TANK	A-64899	X	X	X	1	*66	CYLINDER - 2 1/16" bore	66806-1		X	X	1
	Includes: GASKET (not shown)	68838	X	X	X	1	67	SPARK PLUG	63547-B	X	X	X	1
	CAP (not shown)	68838	X	X	X	1	68	Includes: GASKET	25038	X	X	X	1
31	SCREW - fil, hd, 8-32 x 3/8	62146	X	X	X	6	*69	VALVE - decompression	A-65883		X	X	1
32	SCREW - fil, hd, 8-32 x 1 3/4	62147	X	X	X	9	*70	Includes: WASHER - copper	66826	X	X	X	1
33	GASKET - fuel tank	65931	X	X	X	1	71	CYLINDER - 2" bore	63012-B	X		X	1
*34	COVER - fuel tank	64686-4	X	X	X	1	72	NUT - hex, 1/4 x 3/8	61061-B	X	X	X	4
							73	WASHER - lock, 1/4	63008	X	X	X	4
							74	GASKET - cylinder	63778	X	X	X	1
							75	TUBE - oil line	63482-A	X	X	X	1
							76	"O" RING	69408	X	X	X	1
							77	GASKET - oil line tube	63751	X	X	X	1

* Denotes new parts.

ALWAYS FURNISH MODEL AND SERIAL NUMBER WHEN ORDERING PARTS.

HOMELITE XL-901, XL-903, & XL-904 CHAIN SAW

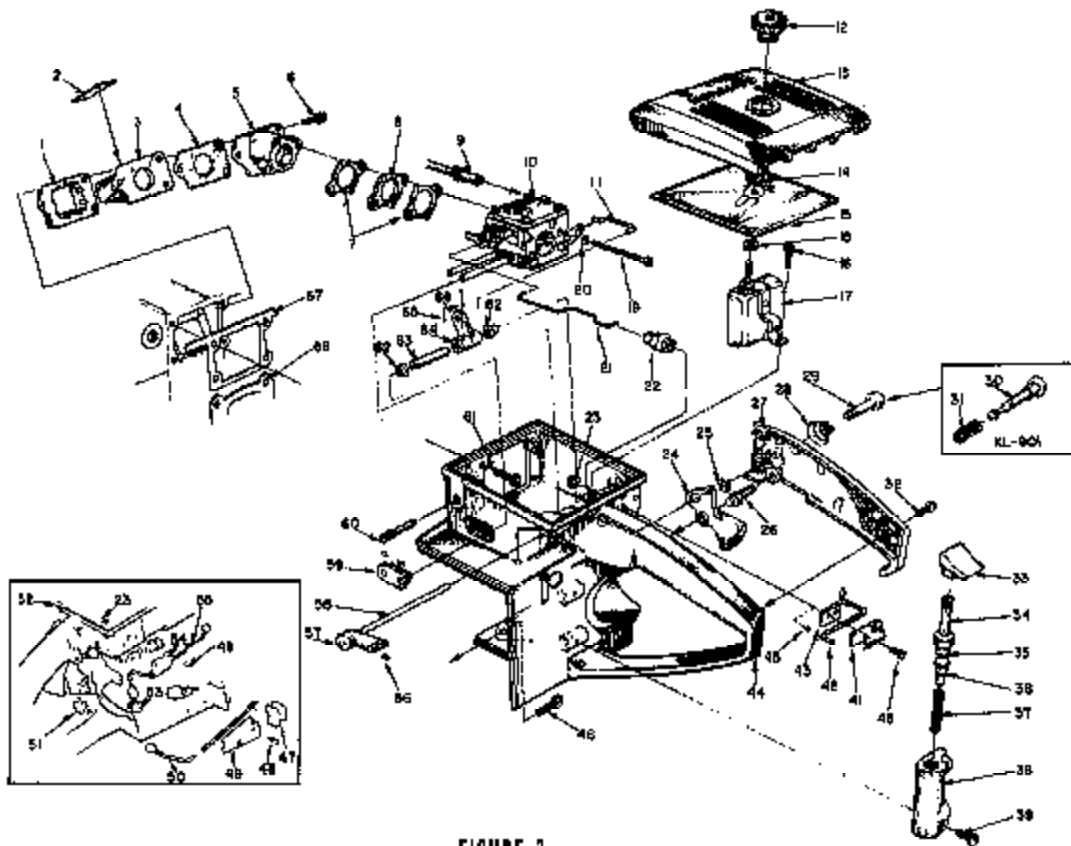


FIGURE 3

No.	Description	Part No.	XL 901	XL 903	XL 904	Qty.	No.	Description	Part No.	XL 901	XL 903	XL 904	Qty.
1	RETAINER	63370	X	X	X	1	33	BUTTON	63622	X	X	X	1
2	VALVE - reed	63186	X	X	X	4	*34	PLUNGER - oil pump	A-67634-18	X	X	X	1
3	SEAT - reed valve	63371-A	X	X	X	1	35	Includes: "O" RING - shaft	59074	X	X	X	1
4	GASKET - seat	65483	X	X	X	3	36	"O" RING - plunger	74388	X	X	X	1
5	SPACER - reed valve seat	63019-1A	X	X	X	1	37	SPRING - plunger	63262	X	X	X	1
6	SCREW - shoulder	65489	X	X	X	2	*38	BODY - oil pump	63343-5	X	X	X	1
7	GASKET - carburetor	63254	X	X	X	2	39	SCREW - hex, 8-32 x 7/8	60668	X	X	X	2
8	SPACER - carburetor	63266	X	X	X	1	*40	CLAMP - lever	65621-1	X	X	X	1
* 9	LINE - fuel	65718	X	X	X	1	*41	LEVER - poppet valve	65630	X	X	X	1
10	CARBURETOR	A-65578	X	X	X	1	*42	PLATE	65628-1	X	X	X	1
*11	LINK - choke	66608	X	X	X	1	*43	HANDLE - throttle	A-65651	X	X	X	1
12	NUT - cover mounting	A-63582-A	X	X	X	1	*44	Includes: PLUG - accordion	65689	X	X	X	2
13	COVER - air filter	63634-1	X	X	X	1	45	SCREW - hex, 12-24 x 7/8	60691	X	X	X	1
14	RING - retainer	63319-A	X	X	X	1	*47	GROMMET - oil line	65657	X	X	X	1
15	FILTER ELEMENT - air	63341	X	X	X	1	48	SCREW - pan, 8-32 x 3/8	60571	X	X	X	4
16	SCREW - hex, 12-24 x 1/2	60651	X	X	X	1		SCREW - pan, 8-32 x 3/8	60571		X	X	6
17	DEFLECTOR - air, w/bracket	A-63693	X	X	X	1	*49	CLAMP - oil line	65618-1	X	X	X	1
18	Includes: GASKET - mounting out	58392-1	X	X	X	1	*50	LINE - oil	A-66668	X	X	X	1
19	SCREW - hex, 10-32 x 2	60960	X	X	X	2	*51	VALVE - check	A-65515	X	X	X	1
20	WASHER - lock, No. 10	64046	X	X	X	2	*52	SCREW - fill, 8-32 x 5/8	60023-2	X	X	X	1
21	ROD - throttle	63266	X	X	X	1	*53	VALVE - check	A-65409	X	X	X	1
22	BOOT - throttle rod	58348	X	X	X	1	*54	CLAMP - oil line	65660-1	X	X	X	1
23	NUT - lock, 8-32	61126	X			4	*55	LINE - oil	A-62700	X	X	X	1
	NUT - lock, 8-32	61126		X	X	8	*56	SCREW - spec., 8-32 x 5/16	60701	X	X	X	1
*24	TRIGGER - throttle	66745	X	X	X	1	*57	LEVER - choke	64490-2	X	X	X	1
25	RING - retaining	66409	X			1	*58	SHAFT - choke	65610	X	X	X	1
*26	PIN - throttle lock adj.	66713	X	X	X	1	59	GROMMET	60660	X	X	X	1
*27	COVER - throttle handle	A-66632	X	X	X	1	60	SCREW - idle adjustment	63398	X	X	X	1
	Includes: BUSHING - throttle lock (not shown)	69064	X			1	61	SCREW - hex, 12-24 x 5/8	60676	X	X	X	4
	BUSHING - throttle lock (not shown)	65878		X	X	1	62	BUSHING - throttle handle	64400	X	X	X	2
*28	SPRING - lock	66714		X	X	1	*63	SLEEVE - spacer	65716	X	X	X	1
*29	PIN - throttle lock	66822		X	X	1	*64	BELL CRANK - choke	65511	X	X	X	1
30	PIN - throttle lock	58824	X			1	65	PIN - cotter	66301	X	X	X	1
31	SPRING - lock	66405	X			1	66	PIN - cotter	66304	X	X	X	1
32	SCREW - pan, 8-32 x 1/2	60660	X	X	X	2	67	GASKET - throttle handle	63779-A	X	X	X	1
							68	GASKET - cylinder	63778	X	X	X	1

* Denotes new parts.

ALWAYS FURNISH MODEL AND SERIAL NUMBER WHEN ORDERING PARTS.

HOMELITE XL-901, XL-903, & XL-904 CHAIN SAW

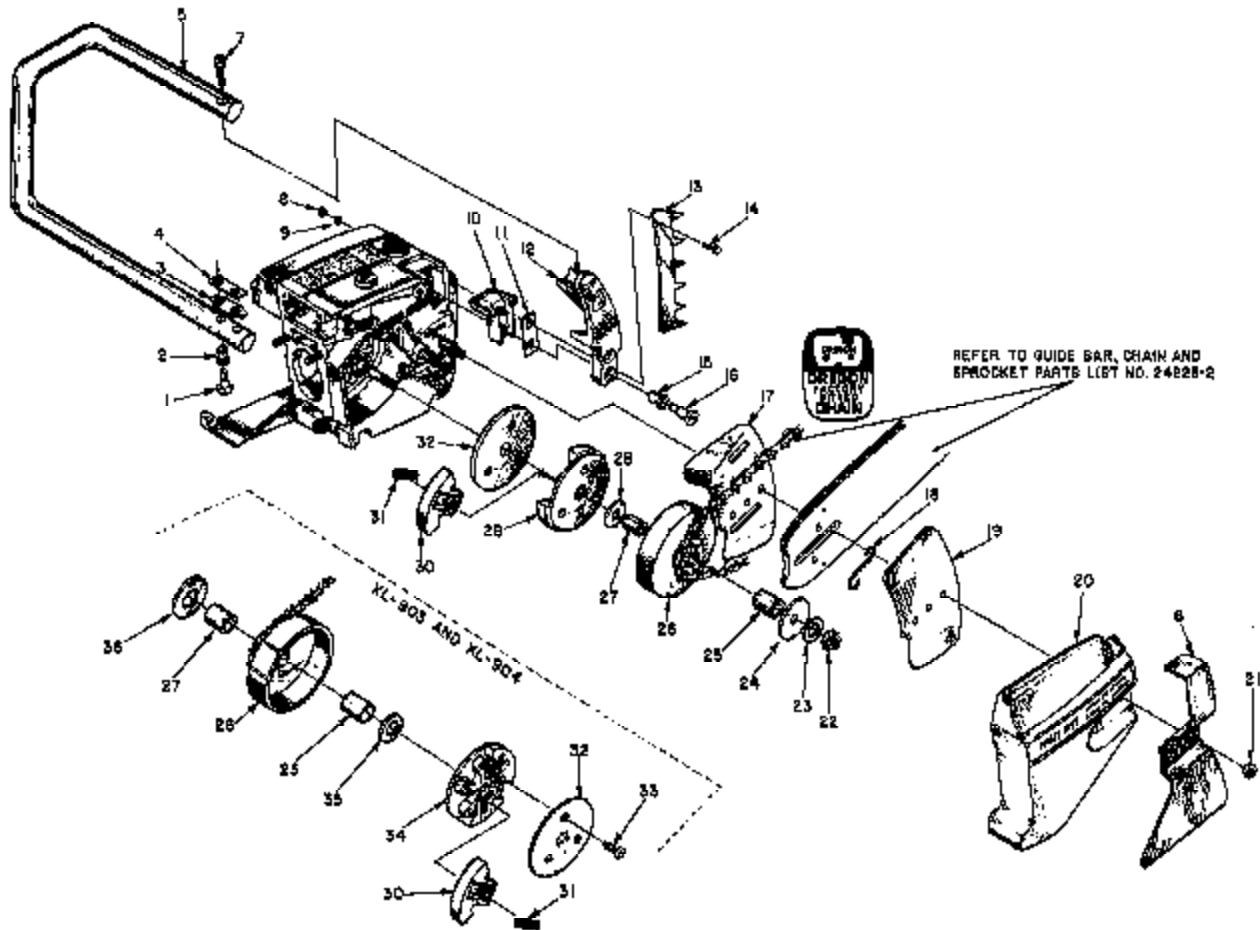


FIGURE 4

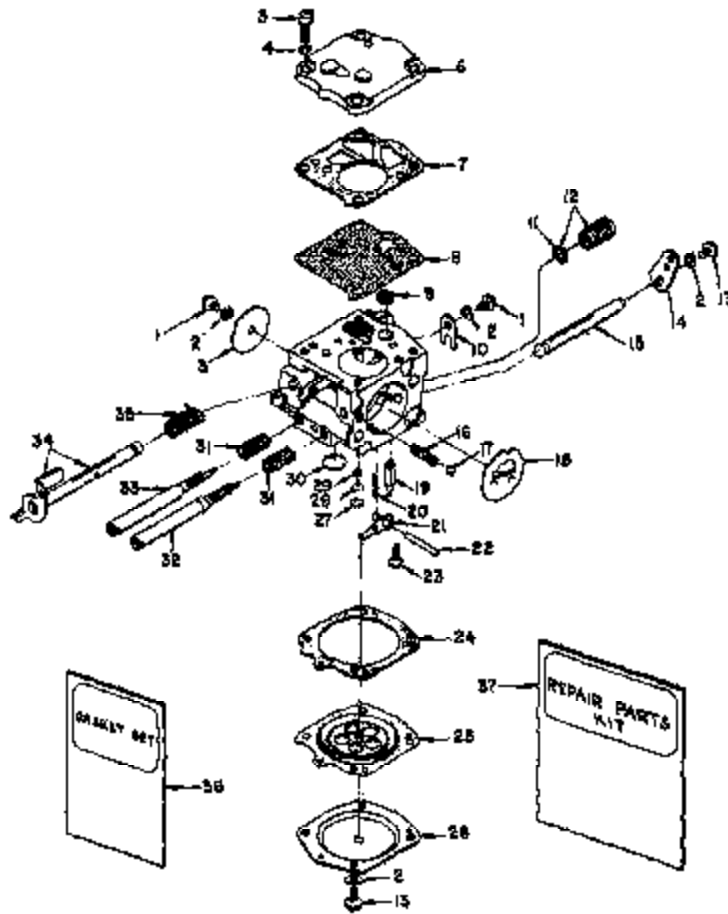
No.	Description	Part No.	XL 901	XL 903	XL 904	Qty.	No.	Description	Part No.	XL 901	XL 903	XL 904	Qty.
* 1	SCREW - shoulder	86620	X	X	X	2	*16	SCREW - shoulder	86621	X	X	X	2
* 2	GROMMET - handle bar	86638	X	X	X	2	17	PLATE - guide bar (inner)	86781	X	X	X	1
* 3	PLATE - handle bar	86699	X	X	X	1	18	SPRING - guide bar	84448	X	X	X	1
* 4	SPACER - handle bar	86642	X	X	X	1	19	PLATE - guide bar (outer)	86782	X	X	X	1
* 5	HANDLE BAR - flush out	A-86883-3	X	X	X	1	20	COVER - drivecase	86003-2	X	X	X	1
* 6	KIT - full wrap around optional Includes: HANDLE BAR - (wrap around) ① A-86814-2	A-86894	X	X	X	1	21	NUT - 5/16-18	81198	X	X	X	2
* 7	GUARD-CHAIN	84887-1	X	X	X	1	22	NUT - lock, 3/8-24	81192	X			1
* 8	BRACKET - handle bar ②	86607-6	X	X	X	1	23	WASHER - flat, 3/8	84010-1	X			1
* 9	KIT - 3/4 wrap around optional Includes: HANDLE BAR BRACKET	A-86902	X	X	X	1	24	WASHER - thrust (outer)	86898	X			1
* 10	BRACKET - handle bar	86607-5	X	X	X	1	25	BEARING - needle	84124	X	X	X	1
* 11	BRACE	86890	X	X	X	1	26	SPROCKET & DRUM Standard - 3/8" pitch, 7 tooth Optional - 3/8" pitch, 8 tooth 404" pitch, 7 tooth 404" pitch, 8 tooth	A-86884 A-86885 A-86886 A-86887	X X X X	X X X X	X X X X	1 1 1 1
* 12	SCREW - hex, 12-24 x 3/4	80887	X	X	X	1	27	RACE - inner	84128		X	X	1
7	SCREW - socket 1/4-20 x 1	80428	X	X	X	1	* 28	RACE - inner	85746	X			1
8	NUT - 12-24	81088	X	X	X	2	28	WASHER - thrust (inner)	86833	X			1
9	WASHER - lock, No. 12	83058	X	X	X	2	29	PLATE - clutch	83059-1	X			1
*10	MOUNT - shock	86209	X	X	X	1	30	SHOE - clutch	84862	X	X	X	2
*11	PLATE - handle bar bracket	86698	X	X	X	1	31	SPRING - clutch	86842	X	X	X	2
*12	BRACKET - handle bar (flush out)	86607-2	X	X	X	1	32	COVER - clutch	83061-1	X	X	X	1
13	HUMPER - spiked (optional)	83548	X	X	X	1	33	SCREW - hex, 1/4-20 x 1/2	84471	X	X	X	2
14	SCREW - hex, 12-24 x 3/4	80987	X	X	X	2	34	PLATE - clutch	83063-2	X	X	X	1
*15	GROMMET	86518	X	X	X	2	35	WASHER - thrust (outer)	86462	X	X	X	1
							36	WASHER - thrust (inner)	83483	X	X	X	1

① Denotes new parts.

② Wrap around Handle Bar and special Bracket also requires #83880 Brace (not shown) mounted on drivecase cover. Attach Brace to Handle Bar with one #80887 screw.

ALWAYS FURNISH MODEL AND SERIAL NUMBER WHEN ORDERING PARTS.

HOMELITE XL-901, XL-903, & XL-904 CHAIN SAW



Assembly Number
A-65578

TILLOTSON MODEL HS-58A

No.	Part No.	Description	Qty.	No.	Part No.	Description	Qty.
1	80264	†SCREW - rd. hd., 4-40 x 3/16	2	19	59717	†NEEDLE - inlet	1
2	83008-1	†WASHER - lock, #4	4	20	55758	†SPRING - control lever	1
3	25050	SHUTTER - throttle	1	21	59716	†LEVER - inlet control	1
4	83024	WASHER - lock, #6	1	22	58977	†PIN - control lever fulcrum	1
5	80275	SCREW - fl. hd., 6-32 x 3/8	4	*23	88798	†SCREW - oval hd., 4-40 x 1/4	1
6	58975	COVER - fuel pump diaphragm	1	24	58978	GASKET - main diaphragm	1
7	58981	GASKET - pump diaphragm	1	25	58988	†DIAPHRAGM - main control	1
8	58980-R	†DIAPHRAGM - fuel pump	1	26	58979	COVER - main diaphragm	1
9	58974	†SCREEN - fuel inlet	1	27	58984	†PLUG - extension (small)	1
10	58982	CLIP - throttle shaft retaining	1	28	57819	RING - retaining	1
11	74080	GASKET	1	29	89500	SCREEN - channel	1
*12	A-65501	VALVE - governor	1	30	58991	†PLUG - extension (large)	1
13	80591	SCREW - rd. hd., 4-40 x 1/4	5	31	73076	†SPRING - adjustment needle	2
*14	85800	LEVER - choke	1	32	63878	†SCREW - main adjustment	1
*15	85789	SHAFT - choke	1	33	83677	†SCREW - idle adjustment	1
16	73264	SPRING - choke friction	1	34	A-53345	SHAFT - throttle w/lever	1
17	25527	BALL - check	2	35	58450	†SPRING - throttle opening	1
18	58984	SHUTTER - choke	1	*36	66885	†GASKET SET	1
				*37	65886	REPAIR KIT	1

† Indicates contents of Repair Kit.

* Denotes new parts.

HOMELITE XL-901, XL-903, & XL-904 CHAIN SAW

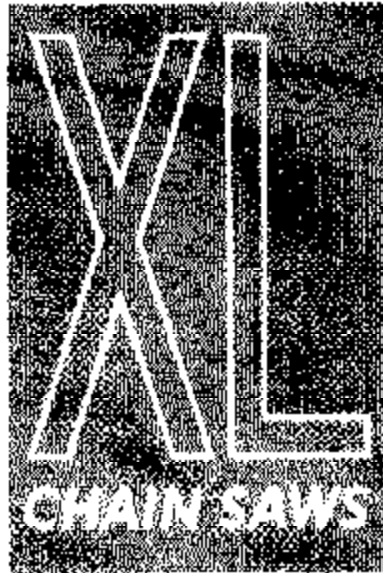
ACCESSORIES

SPARK ARRESTOR ASSEMBLY A-88540-A

SPECIAL TOOLS-available on order

(*) XL-901 only (•) XL-903-904 only

Part No.	Description	Part No.	Description
A-23097-B	COMBINATION WRENCH	A-23843-A	WRENCH - insert (guide bar #10)
22858	PLIBNS - plain snap ring	A-23850	PULLER - rotor
23828	WRENCH - socket screw (conn. rod)	• 23420	PLUG - bearing installation (sprocket)
23855	PLUG - bearing installation (conn. rod)	23956	PLUG - bearing and seal installation (back plate)
*A-23137	JACKSCREW	A-23982	REMOVER - bearing (back plate)
• A-23985	JACKSCREW	23846-2	ANVIL - bearing disassembling (back plate)
*23156-2	BODY - jackscrew	24006-1	PLATE - crankshaft aligning
• 23196-1	BODY - jackscrew	*23998	ANVIL - roller bearing assembling
*23820-3	COLLAR - bearing	24230	DRIVEN - hand ("Posidriv")
• 23820-4	COLLAR - bearing	Paint	
23846-1	ANVIL - crankshaft installation	22771	SPRAY CAN - red
*23759	SLEEVE - seal protecting (crankcase)	22918	SPRAY CAN - blue
• 23971	SLEEVE - seal protecting (crankcase)	23500	SPRAY CAN - white
23972	SLEEVE - seal installation (crankcase)	23263	SPRAY CAN - green
23967	PLUG - seal installation (crankcase)	22772	SPRAY CAN - black
23987	SHIM - point gap		
A-23834	WRENCH - clutch		



HOMELITE

A **Textron** DIVISION • PORT CHESTER, NEW YORK

