



**Guide Bars**

160386001	Guide Bar - 16" (16D0PS3860)
200387001	Guide Bar - 20" (20D0PS3870)
240388101	Guide Bar - 24" (24D0PS3881)
270389301	Guide Bar - 27" (27D0PS3893)

**Sawing Chains**

727060	Chain - 16" (72LG-60G)
727070	Chain - 20" (72SG-70G)
727081	Chain - 24" (72V-81G)
727093	Chain - 27" (72LG-93G)

**Accessories**

89850308032	Blade Cover - 4.5 x 17in.
89850308033	Blade Cover - 4.5 x 20in.
99988801205	CS Fixed Nose Case


**PARTS CATALOG**  
**CHAIN SAW**

**66.7cc**

**MODEL: SERIAL NUMBERS**

**CS-670:** 03001001-03999999  
04001001-04999999

---

---

---

---

---

---

---

---

---

---

---

---

---

---

---

***ECHO, INCORPORATED***

400 Oakwood Road Lake Zurich, Illinois 60047  
WWW.ECHO-USA.COM



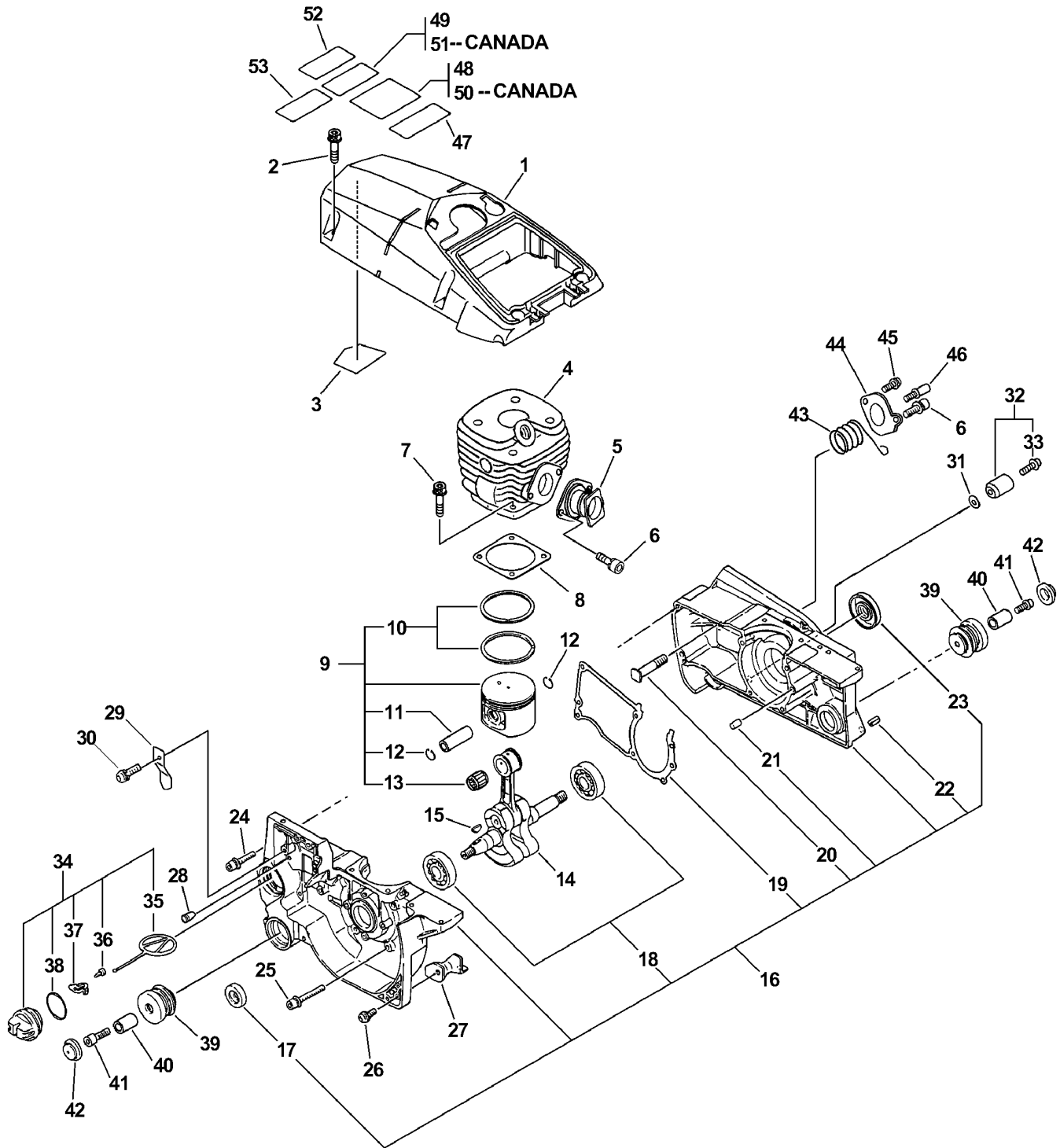
# Table of Contents

---

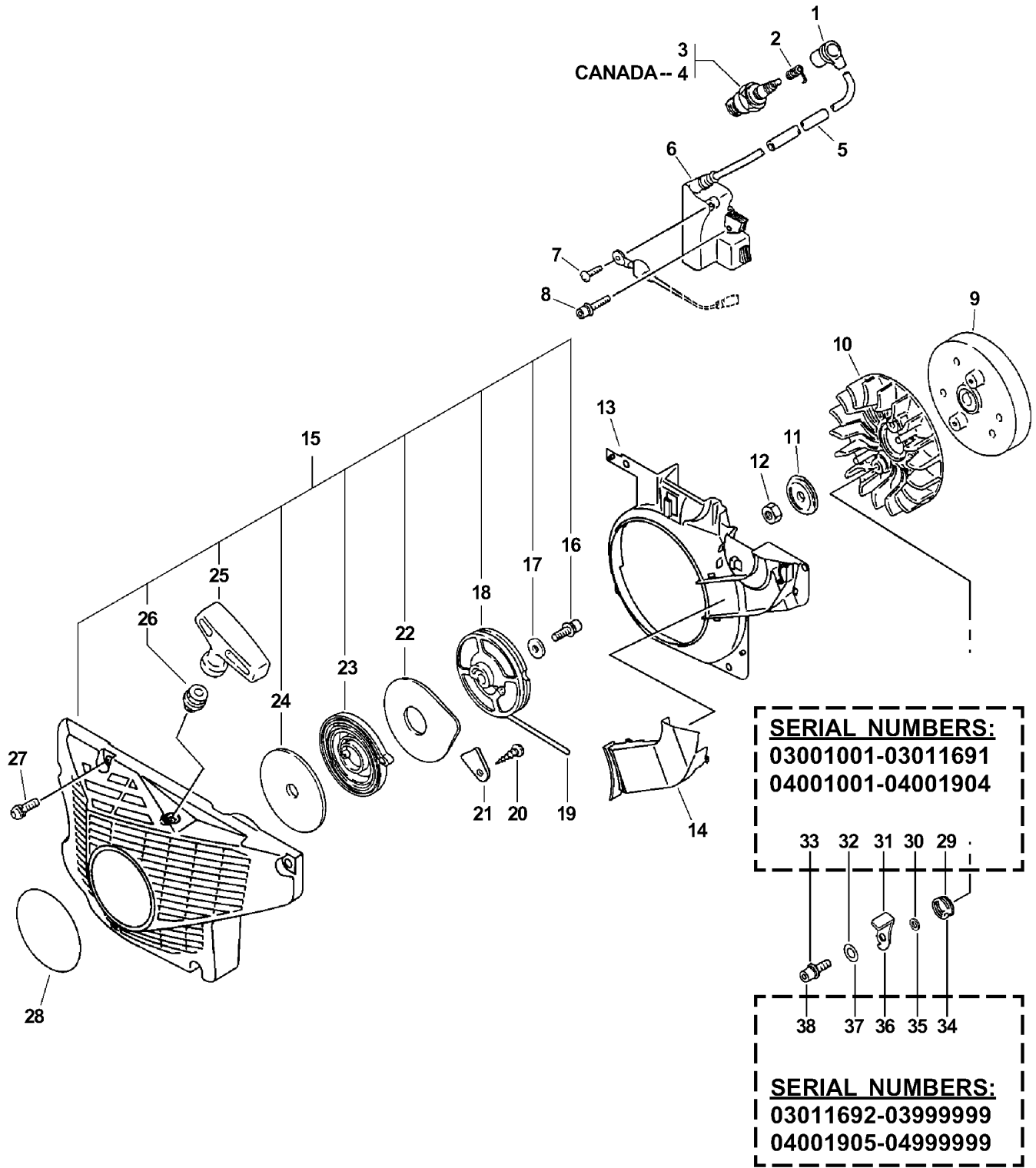
## **CS-670 S/N 03001001 - 04999999**

Engine, Crankcase, Cylinder Cover.....	4
Ignition, Starter, Flywheel.....	6
Intake, Exhaust.....	8
Handle, Trigger.....	10
Auto-Oiler.....	12
Chain Brake Asssembly, Guide Bar, Chain.....	14
Clutch.....	16
Carburetor -- HD-203.....	18
Part Number Index.....	20
Part Description Index.....	21
Service Publications.....	3

***This Page Intentionally Left Blank***



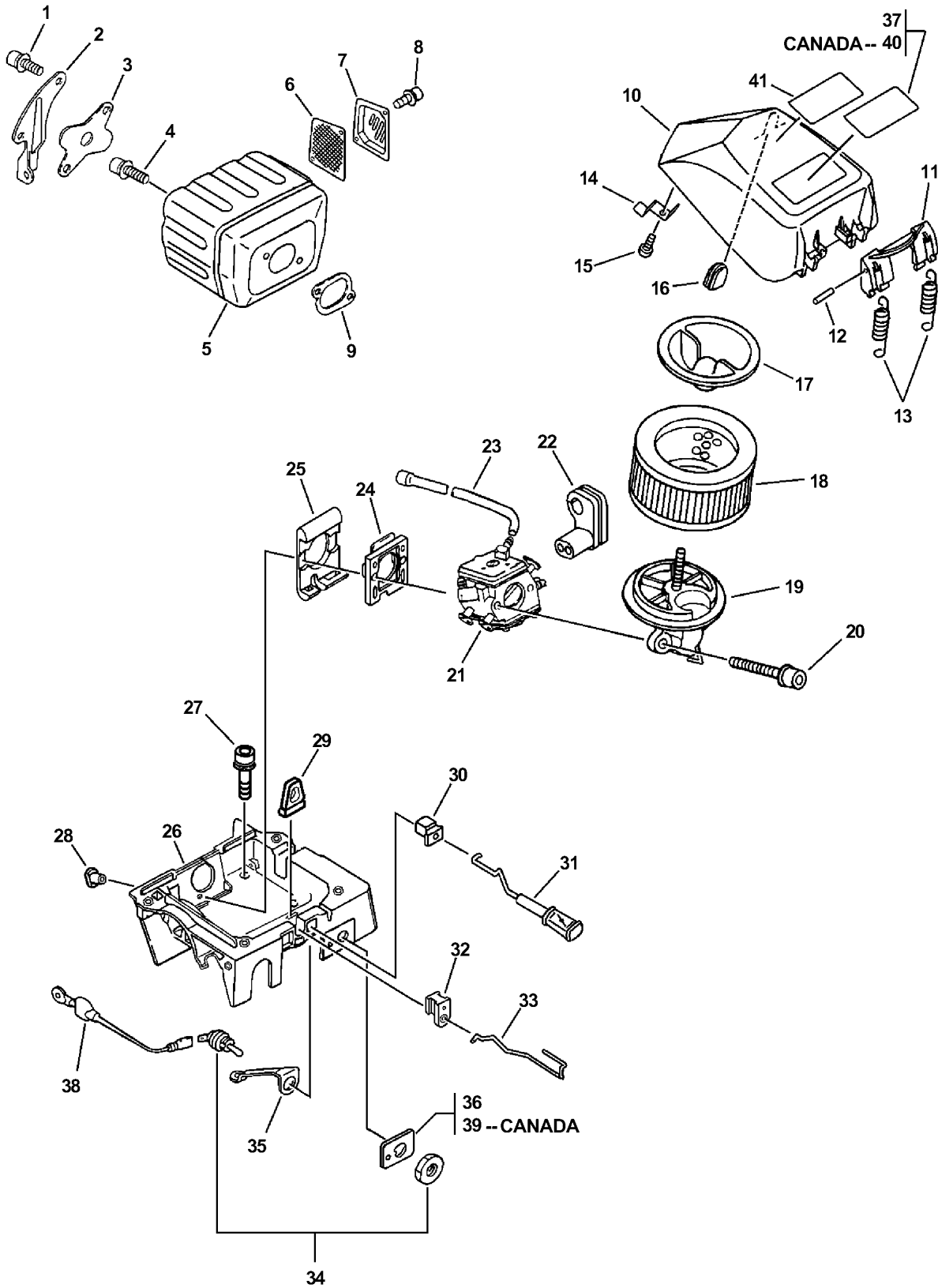
ITEM	PART NUMBER	QTY	DESCRIPTION	REMARKS
1	A160000210	1	COVER, CYLINDER	
2	90016205020	5	BOLT 5X20	
3	V341000010	1	DEFLECTOR, HEAT	
4	A130000170	1	CYLINDER	
5	A202000010	1	BELLOWS, INTAKE	
6	90016205014	3	BOLT 5X14	
7	90016205025	4	BOLT 5X25	
8	10101032431	1	GASKET, CYLINDER	
9	P021002790	1	PISTON KIT	INCLUDES ITEMS 10-13
10	10001132430	2	RING, PISTON	
11	V610000000	1	PIN, PISTON	
12	V580000000	2	RING, END	
13	10001232430	1	BEARING, NEEDLE	
14	A011000130	1	CRANKSHAFT ASY	
15	10014230830	1	KEY, WOODRUFF	
16	10020438133	1	CRANKCASE KIT	INCLUDES ITEMS 17-23
17	10021219830	1	SEAL, OIL	
18	90081036202	2	BEARING, BALL	
19	10024232430	1	GASKET, CRANKCASE	
20	43301119830	2	STUD, GUIDE BAR	
21	10021502830	2	PIN, DOWEL	
22	90034550010	1	PIN, SPRING - 5X10	
23	10021232430	1	OIL SEAL	
24	90016205020	2	BOLT 5X20	
25	90016205035	4	BOLT 5X35	
26	90023805014	1	SCREW 5X14	
27	V401000060	1	CUSHION 5	
28	43611413930	1	VALVE, CHECK	
29	V150000570	1	PLATE, EYE	
30	90024204008	1	SCREW	
31	90060000005	1	WASHER 5	
32	43300019831	1	CHAIN CATCHER KIT	INCLUDES ITEM 33
33	90022005018	1	SCREW 5X18	
34	43600139231	1	OIL TANK CAP ASY	INCLUDES ITEMS 35-38
35	13105119830	1	LINK	
36	90024603008	1	SCREW 3X8	
37	13105019830	1	LINK, RETAINER	
38	90072502025	1	O-RING	
39	V420000530	2	CUSHION	
40	V353000110	2	COLLAR 5	
41	90010505025	2	BOLT 5X25	
42	10091819830	2	CAP, CUSHION	
43	V450000150	1	SPRING, COMPRESSION	
44	V150000750	1	PLATE, EYE	
45	90016204008	1	BOLT 4X8	
46	V203000050	1	BOLT 5	
47	89019131731	1	LABEL, KICK BACK WARNING	
48	X524000720	1	LABEL, BAR & CHAIN	
49	89019130131	1	LABEL, KICK BACK	
50	X524000710	1	LABEL, BAR & CHAIN	
51	X505000460	1	LABEL, KICK BACK - FRENCH	
52	89017639431	1	LABEL, NOISE - ENGLISH/FRENCH	
53	X505000450	1	LABEL, KICK BACK - ENGLISH	



ITEM	PART NUMBER	QTY	DESCRIPTION	REMARKS
1	A427000010	1	CAP, SPARK PLUG	
2	A426000010	1	COIL, SPARK PLUG CAP	
3	15901716431	1	PLUG, SPARK -- CJ-6Y	
4	15901010230	1	PLUG, SPARK -- BPMR-7A	
5	15061132430	1	TUBE	
6	15660132631	1	COIL,IGNITION	
7	90024204008	1	SCREW	
8	90016204020	2	BOLT 4X20	
9	15680032631	1	FLYWHEEL	
10	10152132330	1	FAN, COOLING	
11	10014319830	1	WASHER	
12	90050000008	1	NUT 8	
13	A172000130	1	COVER, FAN	
14	A161000020	1	DUCT, AIR	
15	P021002811	1	STARTER ASY	INCLUDES ITEMS 16-26
16	90016205014	1	BOLT 5X14	
17	90060300005	1	WASHER 5	
18	17721532330	1	DRUM, STARTER	
19	17722607060	1	ROPE, STARTER - 4X900mm <sup>1</sup>	
20	90025304008	1	SCREW 4X8	
21	43314415130	1	RETAINER, BRAKE BAND	
22	17722107060	1	PLATE, STARTER	
23	17722002834	1	SPRING, REWIND	
24	17722102830	1	PLATE, STARTER	
25	17722830830	1	GRIP, STARTER	
26	17722707060	1	GUIDE, ROPE	
27	90016205020	4	BOLT 5X20	
28	89011817930	1	LABEL, ECHO	
29	17723419830	2	SPRING, RETURN <sup>2</sup>	
30	17724719830	2	SPACER, RATCHET <sup>2</sup>	
31	17721832630	2	PAWL, STARTER <sup>2</sup>	
32	90060300005	2	WASHER 5 <sup>2</sup>	
33	90016205014	2	BOLT 5X14 <sup>2</sup>	
34	17723419832	2	SPRING, RETURN <sup>3</sup>	
35	V353000191	2	SPACER, RATCHET <sup>3</sup>	
36	17721832631	2	PAWL, STARTER <sup>3</sup>	
37	90060300005	2	WASHER 5 <sup>3</sup>	
38	90016205020	2	BOLT 5X20 <sup>3</sup>	

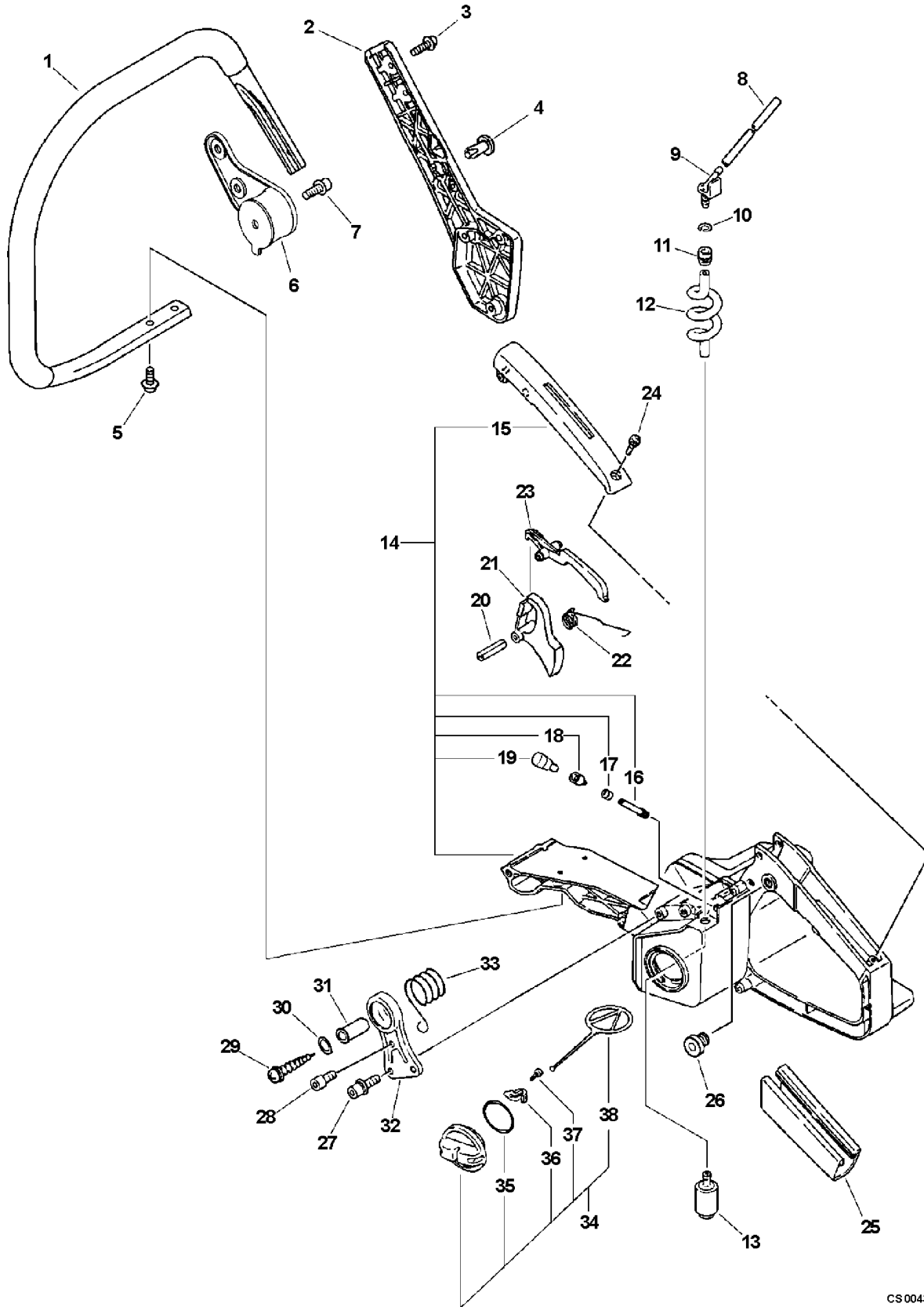
**Footnotes**

- 1: BULK OPTION: 99944450000
- 2: SERIAL NUMBERS: 03001001-03011691, 04001001-04001904
- 3: SERIAL NUMBERS: 03011692-03999999, 04001905-04999999





ITEM	PART NUMBER	QTY	DESCRIPTION	REMARKS
1	90016205014	2	BOLT 5X14	
2	14571132430	1	BRACKET, MUFFLER	
3	14581331730	1	COVER, MUFFLER	
4	90016205020	2	BOLT 5X20	
5	14561032430	1	MUFFLER	
6	14586232630	1	SCREEN, MUFFLER	
7	A313000280	1	GUIDE, EXHAUST	
8	90016204010	2	BOLT 4X10	
9	14551032431	1	GASKET, MUFFLER	
10	A232000070	1	LID, CLEANER	
11	A235000050	1	LATCH, AIR CLEANER LID	
12	90033030120	4	PIN	
13	V451000190	2	SPRING, TENSION	
14	V453000040	2	SPRING, FLAT	
15	90025304010	2	SCREW 4X10	
16	13033832430	1	PLUG, COVER	
17	A238000030	1	HOLDER, ELEMENT	
18	A226000070	1	ELEMENT, AIR FILTER	
19	A204000020	1	ELBOW, CARBURETOR	
20	9110705050	2	BOLT, FLANGE	
21	A021000290	1	CARBURETOR -- HD-203	
22	V131000000	1	GROMMET, NEEDLE	
23	13011019830	1	PIPE, IMPULSE	
24	P021002800	1	INSULATOR, INTAKE	
25	V420000320	1	CUSHION	
26	A220000001	1	CASE, CARBURETOR	
27	90016205020	4	BOLT 5X20	
28	13002033330	1	NUT	
29	V420000540	1	CUSHION	
30	17881033331	1	GROMMET, CHOKE	
31	A241000030	1	ROD, CHOKE	
32	17811432630	1	HOLDER, THROTTLE LEVER	
33	C454000060	1	ROD,THROTTLE	
34	16340032430	1	SWITCH,IGNITION	
35	15663532430	1	LUG, GROUND	
36	89015719830	1	LABEL, SWITCH	
37	X503002470	1	LABEL, MODEL -- CS-670	
38	16202132430	1	LEAD	
39	89015731730	1	LABEL, SWITCH	
40	X503002460	1	LABEL, MODEL -- CS-670	
41	89032439630	1	LABEL, CAUTION	

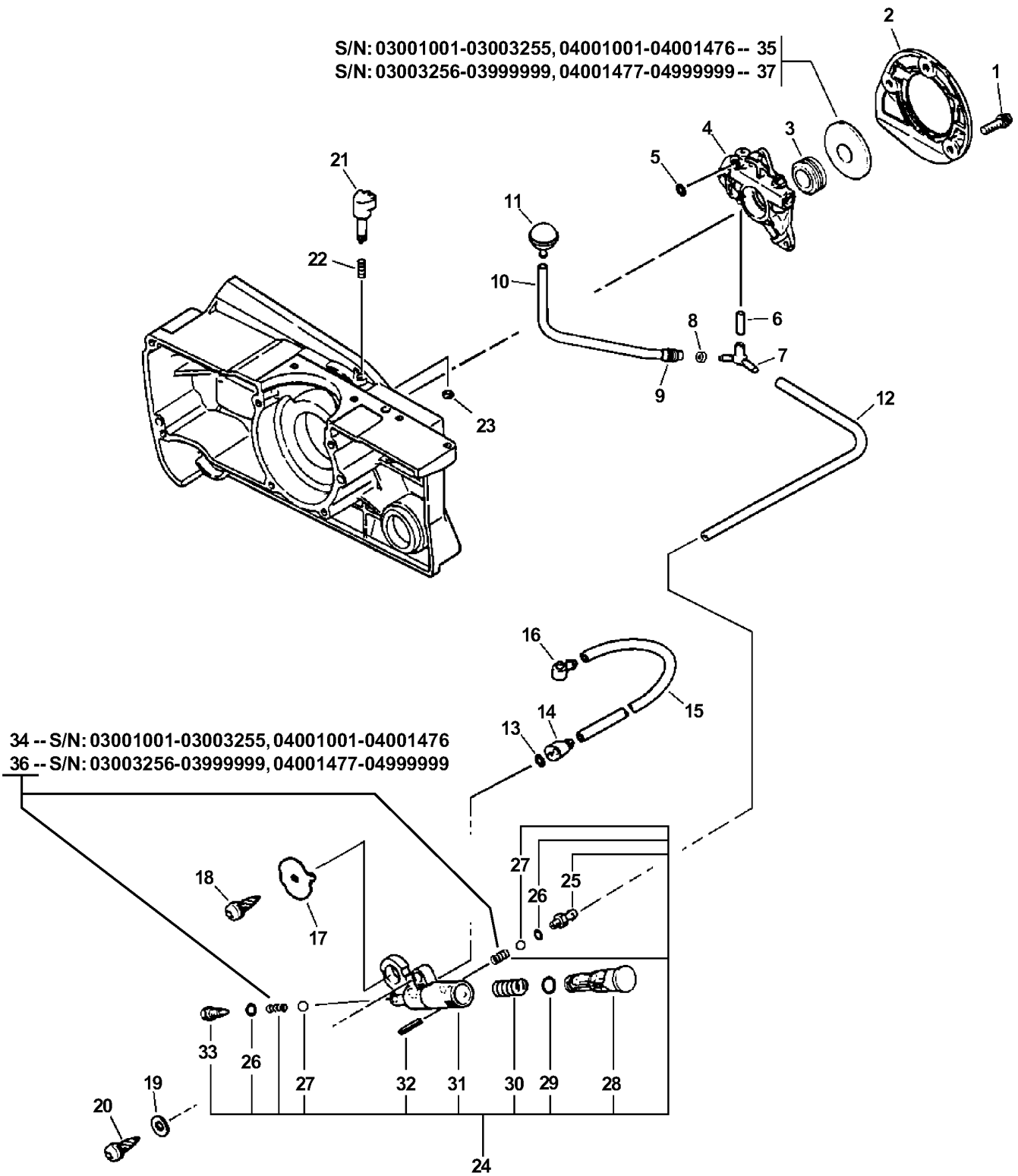


CS 004300000

ITEM	PART NUMBER	QTY	DESCRIPTION	REMARKS
1	C400000100	1	HANDLE, FRONT	
2	35161638230	1	BRACKET, HANDLE	
3	90023805020	5	SCREW 5X20	
4	V649000010	1	RIVET	
5	90016205014	2	BOLT 5X14	
6	V401000050	1	CUSHION 5	
7	90016205014	1	BOLT 5X14	
8	13201056030	1	PIPE, FUEL - 3X6X110mm <sup>1</sup>	
9	13201119830	1	CONNECTOR, FUEL PIPE	
10	13201326630	1	CLIP	
11	13211501461	1	GROMMET, FUEL	
12	13201030830	1	PIPE, FUEL - INNER	
13	13120519830	1	FILTER, FUEL	
14	35110338131	1	REAR HANDLE ASY	INCLUDES ITEMS 15-19
15	35115535430	1	COVER, HANDLE	
16	13131232430	1	PIPE, VENT	
17	13011100530	1	CLIP	
18	13132840630	1	COVER, VENT	
19	13130056430	1	VALVE, CHECK	
20	90034250025	1	PIN, SPRING - 5X25	
21	C450000040	1	TRIGGER, THROTTLE	
22	17804319830	1	SPRING, THROTTLE RETURN	
23	17809037930	1	LOCKOUT, THROTTLE CONTROL	
24	90023804014	1	SCREW 4X14	
25	35111119830	1	GRIP, HANDLE	
26	V162000040	1	PLUG	
27	90016205014	2	BOLT 5X14	
28	90010505008	1	BOLT 5X8	
29	90025305035	1	SCREW 5X35	
30	90063000005	1	WASHER 6	
31	V353000120	1	COLLAR 5	
32	V419000010	1	BRACKET, CUSHION	
33	V450000150	1	SPRING, COMPRESSION	
34	13100437631	1	FUEL TANK CAP ASY	INCLUDES ITEMS 35-38
35	90072020029	1	O-RING 29	
36	13105019830	1	RETAINER, LINK	
37	90024603008	1	SCREW 3X8	
38	13105119830	1	LINK	

**Footnotes**

1: BULK OPTION: 90015

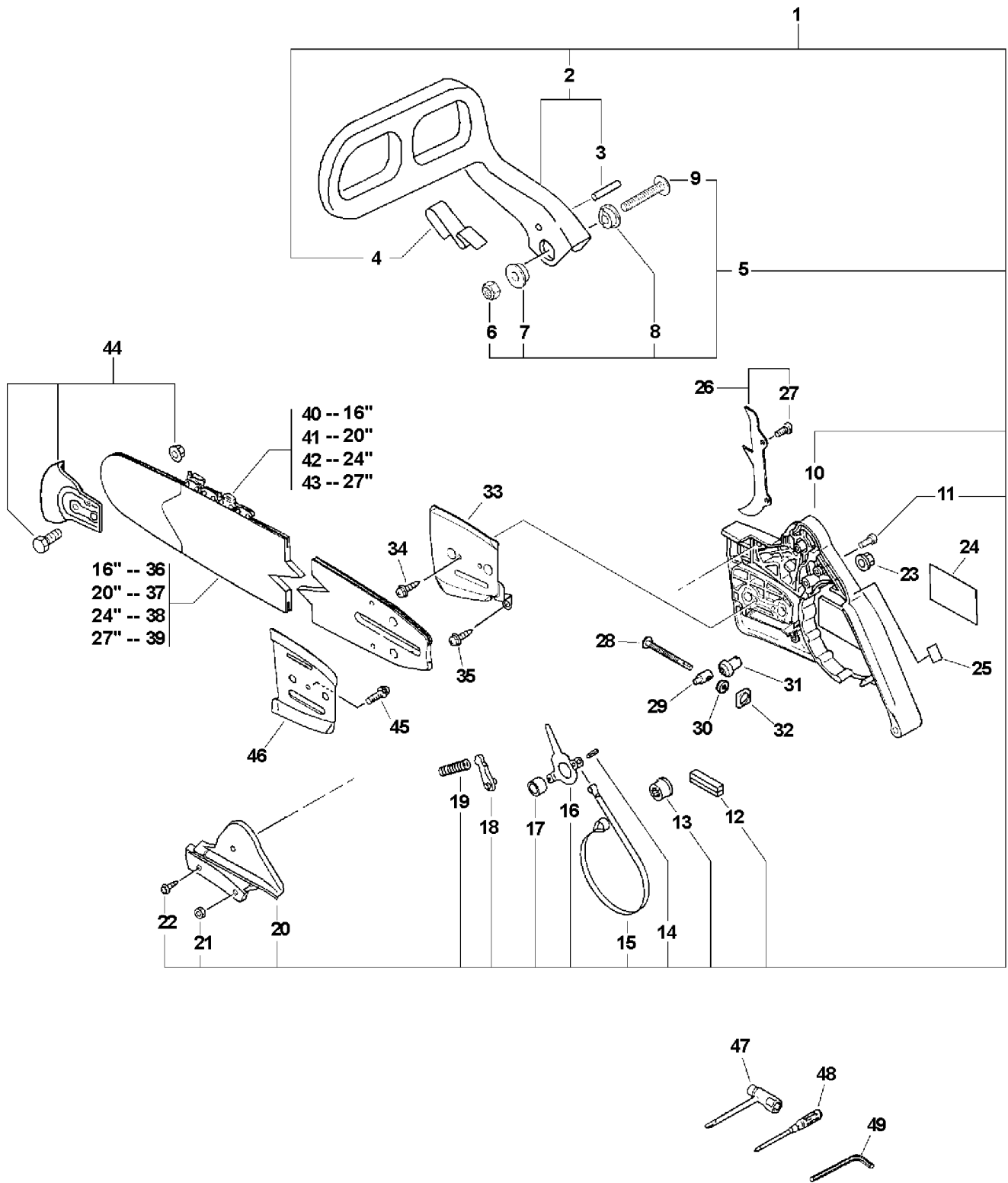


ITEM	PART NUMBER	QTY	DESCRIPTION	REMARKS
1	90016204012	3	BOLT 4X12	
2	43760537630	1	COVER, OIL PUMP	
3	43700419931	1	GEAR, WORM	
4	43700237530	1	AUTO-OILER ASY	
5	90072000003	1	O-RING 3	
6	43721132430	1	PIPE	
7	43721232430	1	CONNECTOR, OIL PIPE	
8	13201326630	1	CLIP	
9	13211512330	1	GROMMET	
10	43721038330	1	PIPE, FUEL	
11	43620514730	1	FILTER, OIL	
12	43721015130	1	PIPE, OIL	
13	90072000003	1	O-RING 3	
14	43721232630	1	CONNECTOR, OIL PIPE	
15	43721632630	1	PIPE, OUTLET	
16	43723232630	1	CONNECTOR, OIL PIPE	
17	43741319830	1	BRACKET, OIL PUMP	
18	90025204010	1	SCREW 4X10	
19	90060300005	1	WASHER 5	
20	90025205020	1	SCREW 5X20	
21	43703937630	1	KNOB	
22	43701519830	1	SPRING	
23	90070000003	1	E-RING 3	
24	43710038832	1	OIL PUMP ASY	INCLUDES ITEMS 25-37
25	43711819830	1	NIPPLE	
26	43712203430	2	O-RING	
27	43701200330	2	VALVE, BALL	
28	43711238731	1	PISTON, OIL PUMP	
29	90072000007	1	O-RING 7	
30	43711119830	1	SPRING	
31	43711019831	1	BODY, OIL PUMP	
32	90034520016	1	SPRING PIN 2X16	
33	43712110130	1	ADAPTER, OIL PUMP	
34	43701300330	2	SPRING, VALVE <sup>1</sup>	
35	V309000010	1	WASHER 12 <sup>1</sup>	
36	V450000290	2	SPRING, VALVE <sup>2</sup>	
37	43706630130	1	WASHER 12 <sup>2</sup>	

**Footnotes**

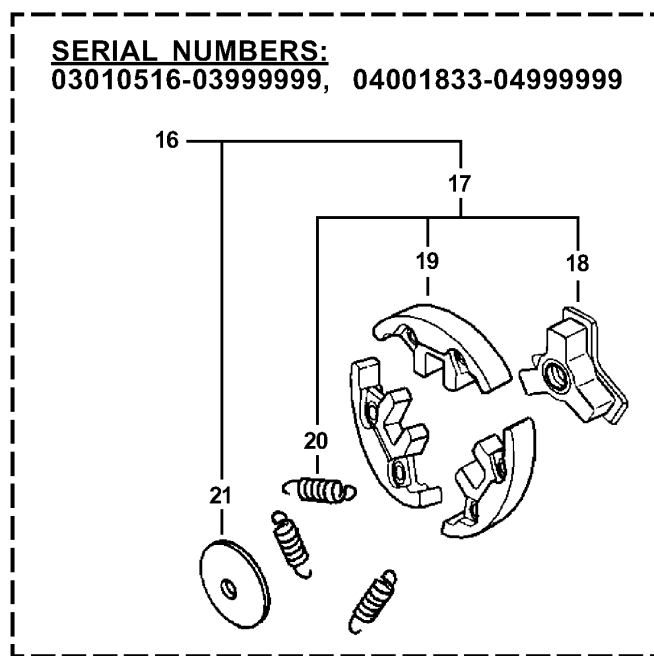
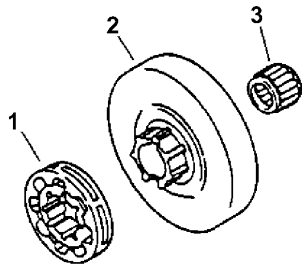
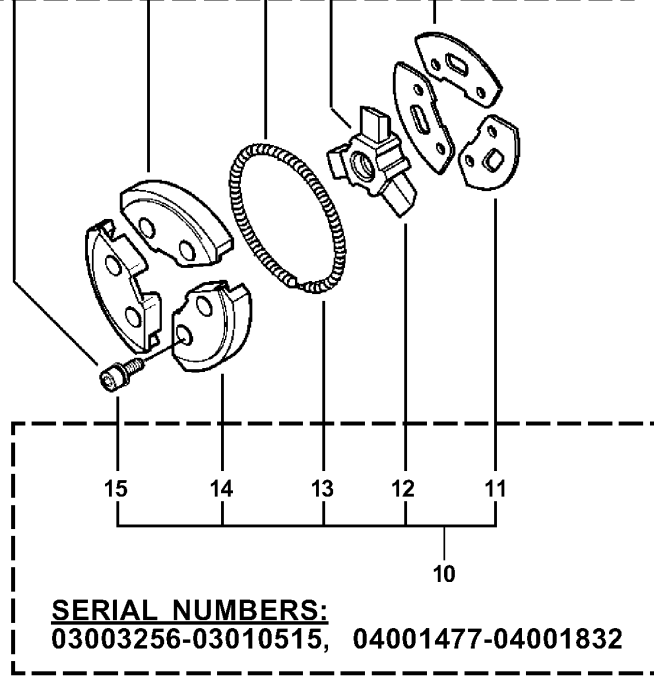
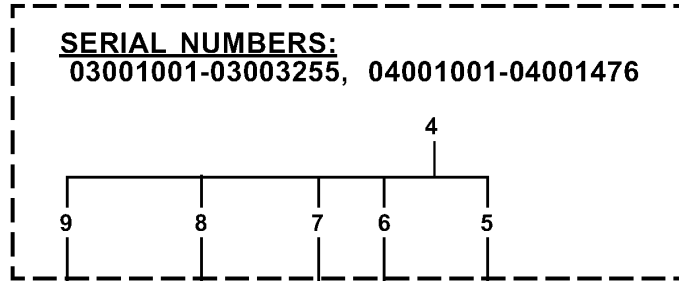
1: SERIAL NUMBERS: 03001001-03003255, 04001001-04001476

2: SERIAL NUMBERS: 03003256-03999999, 04001477-04999999



CS0002 00 000

ITEM	PART NUMBER	QTY	DESCRIPTION	REMARKS
1	43320232637	1	CHAIN BRAKE ASY	INCLUDES ITEMS 2-22
2	43310533530	1	LEVER, BRAKE	INCLUDES ITEM 3
3	90033035260	1	PIN 3.5X26	
4	43311438131	1	SPRING	
5	43311337538	1	SCREW KIT	INCLUDES ITEMS 6-9
6	90056200005	1	LOCKNUT	
7	43316739130	1	SPACER	
8	43316739730	1	COLLAR 5	
9	90020905035	1	SCREW	
10	P021002291	1	GUARD, SPROCKET	
11	90022003018	1	SCREW 3X18	
12	43331232630	1	COVER, SEAL	
13	43314235430	1	ADJUSTER, BRAKE	
14	90033040088	1	ROLLER 4X8.8	
15	43312338130	1	BAND, BRAKE	
16	43320835431	1	LEVER, BRAKE BAND	
17	43311635430	1	SPACER 8	
18	43320935430	1	STOPPER, BRAKE	
19	43312238130	1	SPRING, BRAKE	
20	43331038230	1	COVER, BRAKE	
21	90050000003	1	NUT 3	
22	90025204012	2	SCREW 4X12	
23	43301912330	2	FLANGE NUT 8	
24	89011815130	1	LABEL, ECHO	
25	X524000680	1	LABEL	
26	P021002880	1	SPIKED BUMPER KIT	INCLUDES ITEM 27
27	90010505012	2	BOLT 5X12	
28	V203000040	1	BOLT 5	
29	C309000030	1	TENSIONER, CHAIN	
30	V651000010	1	GEAR, BEVEL	
31	V651000000	1	GEAR, BEVEL	
32	V355000270	1	COLLAR 8	
33	C305000040	1	PLATE, GUIDE - OUTER	
34	90024103006	2	SCREW 3X6	
35	90025304010	1	SCREW 4X10	
36	160386001	1	GUIDE BAR- 16"	
37	200387001	1	GUIDE BAR- 20"	
38	240388101	1	GUIDE BAR- 24"	
39	270389301	1	GUIDE BAR- 27"	
40	727060	1	CHAIN, SAW - 16"	
41	727070	1	CHAIN, SAW - 20"	
42	727081	1	CHAIN, SAW - 24"	
43	727093	1	CHAIN, SAW - 27"	
44	2893201	1	KICK GUARD KIT	
45	90024104008	1	SCREW 4X8	
46	43301330830	1	PLATE, GUIDE - INNER	
47	89541006960	1	WRENCH W/SCREWDRIVER	
48	89581203930	1	SCREWDRIVER	
49	89561000130	1	L-WRENCH - 4mm	

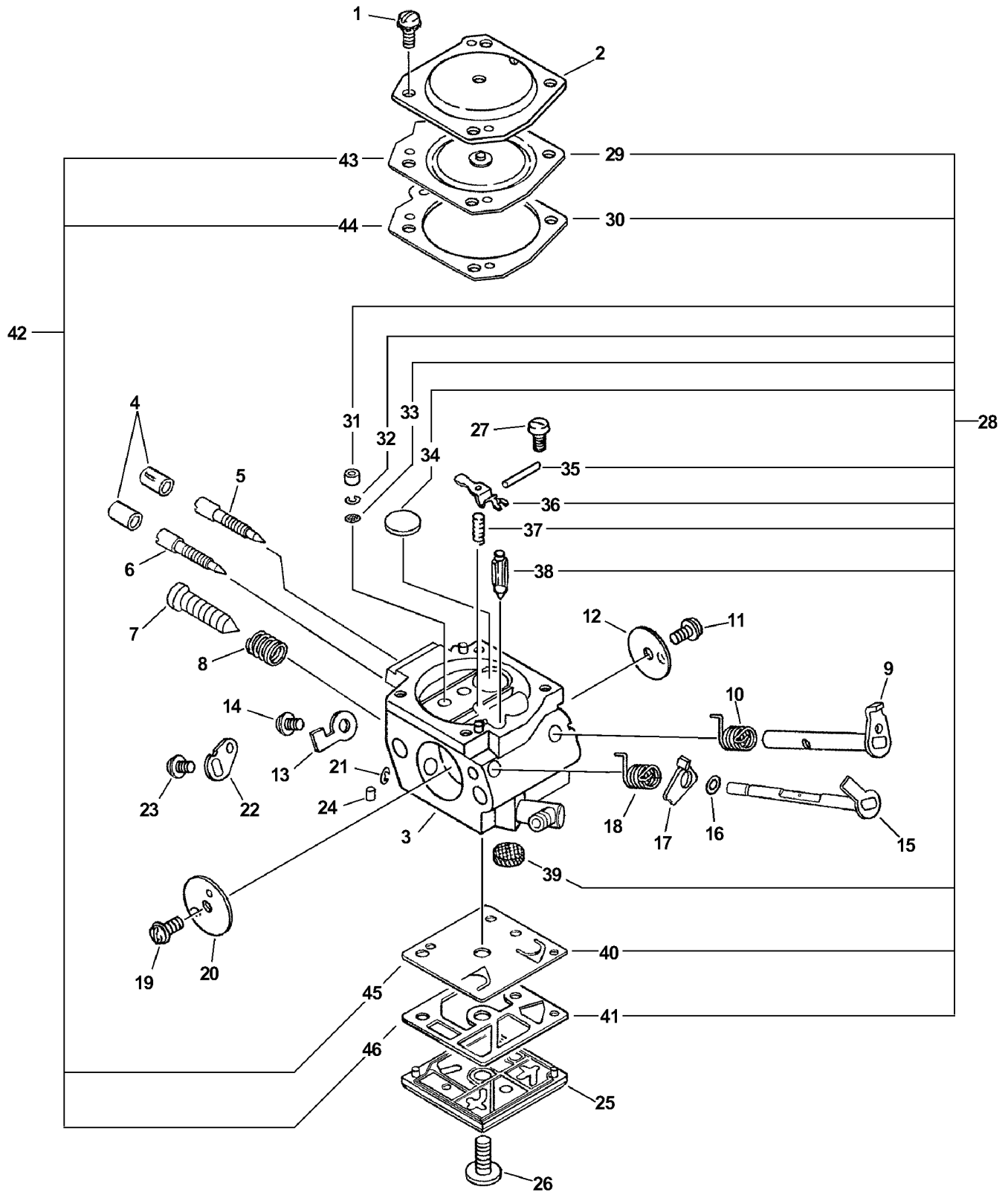




ITEM	PART NUMBER	QTY	DESCRIPTION	REMARKS
1	682100	1	SPROCKET, RIM	
2	17510532430	1	DRUM, CLUTCH	
3	17501232430	1	BEARING, NEEDLE	
4	A056000040	1	CLUTCH ASY <sup>1</sup>	INCLUDES ITEMS 5-9
5	A551000030	3	PLATE, CLUTCH <sup>1</sup>	
6	A552000030	1	HUB, CLUTCH <sup>1</sup>	
7	V451000260	1	SPRING, CLUTCH <sup>1</sup>	
8	P021002890	1	CLUTCH SHOE SET <sup>1</sup>	
9	90010504006	6	BOLT 4X6 <sup>1</sup>	
10	A056000041	1	CLUTCH ASY <sup>2</sup>	INCLUDES ITEMS 11-15
11	A551000030	3	PLATE, CLUTCH <sup>2</sup>	
12	A552000031	1	HUB, CLUTCH <sup>2</sup>	
13	V451000260	1	SPRING, CLUTCH <sup>2</sup>	
14	P021002890	1	CLUTCH SHOE SET <sup>2</sup>	
15	90010504006	6	BOLT 4X6 <sup>2</sup>	
16	P021008200	1	CLUTCH ASY <sup>3</sup>	INCLUDES ITEMS 17-21
17	A056000050	1	CLUTCH SHOE ASY <sup>3</sup>	INCLUDES ITEMS 18-20
18	A552000040	1	HUB, CLUTCH <sup>3</sup>	
19	P021007790	1	CLUTCH SHOE SET <sup>3</sup>	
20	V451000430	3	SPRING, CLUTCH <sup>3</sup>	
21	A551000051	1	PLATE, CLUTCH <sup>3</sup>	

**Footnotes**

- 1: SERIAL NUMBERS: 03001001-03003255, 04001001-04001476  
 2: SERIAL NUMBERS: 03003256-03010515, 04001477-04001832  
 3: SERIAL NUMBERS: 03010516-03999999, 04001833-04999999



ITEM	PART NUMBER	QTY	DESCRIPTION	REMARKS
	A021000290	1	CARBURETOR - HD-203	
1	12313002960	4	SCREW, METERING DIAPHRAGM COVER	
2	12314217330	1	COVER, METERING DIAPHRAGM	
3	-----	1	BODY, CARBURETOR -- NOT AVAILABLE SEPARATELY	
4	P003000010	2	CAP, LIMITER	
5	12311802261	1	NEEDLE - LO SPEED	
6	12312032631	1	NEEDLE - HIGH SPEED	
7	12313419730	1	SCREW, IDLE ADJUST	
8	P003000540	1	SPRING, IDLE ADJUST	
9	P003000550	1	SHAFT, THROTTLE	
10	P003000560	1	SPRING, THROTTLE RETURN	
11	12311405260	1	SCREW	
12	12313216130	1	VALVE, THROTTLE	
13	12315630830	1	STOP, THROTTLE	
14	12311403930	1	SCREW, THROTTLE STOP	
15	P003000600	1	SHAFT, CHOKE	
16	12314926030	1	WASHER	
17	P003000620	1	LEVER, FAST IDLE	
18	P003000610	1	SPRING, CHOKE RETURN	
19	12311403930	1	SCREW, CHOKE VALVE	
20	12313232430	1	VALVE, CHOKE	
21	12312715030	1	CLIP, THROTTLE SHAFT	
22	P003000590	1	LEVER, CHOKE	
23	12311403930	1	SCREW, CHOKE LEVER	
24	12317815030	1	PLUG, FRICTION	
25	12312419830	1	COVER, FUEL PUMP	
26	12311016130	1	SCREW, PUMP COVER	
27	-----	1	SCREW, METERING LEVER PIN	
28	P003000030	1	REPAIR KIT	INCLUDES ITEMS 29-41
29	-----	1	DIAPHRAGM, METERING	
30	-----	1	GASKET, METERING DIAPHRAGM	
31	-----	1	PLUG, CUP	
32	-----	1	RING, RETAINING	
33	-----	1	SCREEN	
34	-----	1	PLUG, WELCH	
35	-----	1	PIN, METERING LEVER	
36	-----	1	LEVER, METERING	
37	-----	1	SPRING, METERING LEVER	
38	-----	1	VALVE, INLET NEEDLE	
39	-----	1	SCREEN, INLET	
40	-----	1	DIAPHRAGM, FUEL PUMP	
41	-----	1	GASKET, FUEL PUMP	
42	P003000040	1	DIAPHRAGM/GASKET KIT	INCLUDES ITEMS 43-46
43	-----	1	DIAPHRAGM, METERING	
44	-----	1	GASKET, METERING DIAPHRAGM	
45	-----	1	DIAPHRAGM, FUEL PUMP	
46	-----	1	GASKET, FUEL PUMP	



# Part Number Index

The Part Number Index is a numeric index of all part numbers included in this manual. The index shows what page(s) the part is used on.

Part Number	Page	Part Number	Page	Part Number	Page	Part Number	Page
-----	19	17809037930	11	90010505012	15	C454000060	9
10001132430	5	17811432630	9	90010505025	5	P003000010	19
10001232430	5	17881033331	9	90016204008	5	P003000030	19
10014230830	5	200387001	15	90016204010	9	P003000040	19
10014319830	7	240388101	15	90016204012	13	P003000540	19
10020438133	5	270389301	15	90016204020	7	P003000550	19
10021219830	5	2893201	15	90016205014	5, 7, 9, 11	P003000560	19
10021232430	5	35110338131	11	90016205020	5, 7, 9	P003000590	19
10021502830	5	35111119830	11	90016205025	5	P003000600	19
10024232430	5	35115535430	11	90016205035	5	P003000610	19
10091819830	5	35161638230	11	90020905035	15	P003000620	19
10101032431	5	43300019831	5	90022003018	15	P021002291	15
10152132330	7	43301119830	5	90022005018	5	P021002790	5
12311016130	19	43301330830	15	90023804014	11	P021002800	9
12311403930	19	43301912330	15	90023805014	5	P021002811	7
12311405260	19	43310533530	15	90023805020	11	P021002880	15
12311802261	19	43311337538	15	90024103006	15	P021002890	17
12312032631	19	43311438131	15	90024104008	15	P021007790	17
12312419830	19	43311635430	15	90024204008	5, 7	P021008200	17
12312715030	19	43312238130	15	90024603008	5, 11	V131000000	9
12313002960	19	43312338130	15	90025204010	13	V150000570	5
12313216130	19	43314235430	15	90025204012	15	V150000750	5
12313232430	19	43314415130	7	90025205020	13	V162000040	11
12313419730	19	43316739130	15	90025304008	7	V203000040	15
12314217330	19	43316739730	15	90025304010	9, 15	V203000050	5
12314926030	19	43320232637	15	90025305035	11	V309000010	13
12315630830	19	43320835431	15	90033030120	9	V341000010	5
12317815030	19	43320935430	15	90033035260	15	V353000110	5
13002033330	9	43331038230	15	90033040088	15	V353000120	11
13011019830	9	43331232630	15	90034250025	11	V353000191	7
13011100530	11	43600139231	5	90034520016	13	V355000270	15
13033832430	9	43611413930	5	90034550010	5	V401000050	11
13100437631	11	43620514730	13	90050000003	15	V401000060	5
13105019830	5, 11	43700237530	13	90050000008	7	V419000010	11
13105119830	5, 11	43700419931	13	90056200005	15	V420000320	9
13120519830	11	43701200330	13	90060000005	5	V420000530	5
13130056430	11	43701300330	13	90060300005	7, 13	V420000540	9
13131232430	11	43701519830	13	90063000005	11	V450000150	5, 11
13132840630	11	43703937630	13	90070000003	13	V450000290	13
13201030830	11	43706630130	13	90072000003	13	V451000190	9
13201056030	11	43710038832	13	90072000007	13	V451000260	17
13201119830	11	43711019831	13	90072020029	11	V451000430	17
13201326630	11, 13	43711119830	13	90072502025	5	V453000040	9
13211501461	11	43711238731	13	90081036202	5	V580000000	5
13211512330	13	43711819830	13	9110705050	9	V610000000	5
14551032431	9	43712110130	13	A011000130	5	V649000010	11
14561032430	9	43712203430	13	A021000290	9, 19	V651000000	15
14571132430	9	43721015130	13	A056000040	17	V651000010	15
14581331730	9	43721038330	13	A056000041	17	X503002460	9
14586232630	9	43721132430	13	A056000050	17	X503002470	9
15061132430	7	43721232430	13	A130000170	5	X505000450	5
15660132631	7	43721232630	13	A160000210	5	X505000460	5
15663532430	9	43721632630	13	A161000020	7	X524000680	15
15680032631	7	43723232630	13	A172000130	7	X524000710	5
15901010230	7	43741319830	13	A202000010	5	X524000720	5
15901716431	7	43760537630	13	A204000020	9		
160386001	15	682100	17	A220000001	9		
16202132430	9	727060	15	A226000070	9		
16340032430	9	727070	15	A232000070	9		
17501232430	17	727081	15	A235000050	9		
17510532430	17	727093	15	A238000030	9		
17721532330	7	89011815130	15	A241000030	9		
17721832630	7	89011817930	7	A313000280	9		
17721832631	7	89015719830	9	A426000010	7		
17722002834	7	89015731730	9	A427000010	7		
17722102830	7	89017639431	5	A551000030	17		
17722107060	7	89019130131	5	A551000051	17		
17722607060	7	89019131731	5	A552000030	17		
17722707060	7	89032439630	9	A552000031	17		
17722830830	7	89541006960	15	A552000040	17		
17723419830	7	89561000130	15	C305000040	15		
17723419832	7	89581203930	15	C309000030	15		
17724719830	7	90010504006	17	C400000100	11		
17804319830	11	90010505008	11	C450000040	11		



# Part Description Index

The Part Description Index is an alphabetical index of all part descriptions included in this manual. The index shows what page(s) the part is used on.

<p><b>A</b></p> <p>ADAPTER, OIL PUMP.....13                  ADJUSTER, BRAKE.....15                  AUTO-OILER ASY.....13</p> <p><b>B</b></p> <p>BAND, BRAKE.....15                  BEARING, BALL.....5                  BEARING, NEEDLE.....5, 17                  BELLOWS, INTAKE.....5                  BODY, CARBURETOR -- NOT AVAILABLE                  SEPARATELY.....19                  BODY, OIL PUMP.....13                  BOLT 4X10.....9                  BOLT 4X12.....13                  BOLT 4X20.....7                  BOLT 4X6.....17                  BOLT 4X8.....5                  BOLT 5.....5, 15                  BOLT 5X12.....15                  BOLT 5X14.....5, 7, 9, 11                  BOLT 5X20.....5, 7, 9                  BOLT 5X25.....5                  BOLT 5X35.....5                  BOLT 5X8.....11                  BOLT, FLANGE.....9                  BRACKET, CUSHION.....11                  BRACKET, HANDLE.....11                  BRACKET, MUFFLER.....9                  BRACKET, OIL PUMP.....13</p> <p><b>C</b></p> <p>CAP, CUSHION.....5                  CAP, LIMITER.....19                  CAP, SPARK PLUG.....7                  CARBURETOR - HD-203.....19                  CARBURETOR -- HD-203.....9                  CASE, CARBURETOR.....9                  CHAIN BRAKE ASY.....15                  CHAIN CATCHER KIT.....5                  CHAIN, SAW - 16".....15                  CHAIN, SAW - 20".....15                  CHAIN, SAW - 24".....15                  CHAIN, SAW - 27".....15                  CLIP.....11, 13                  CLIP, THROTTLE SHAFT.....19                  CLUTCH ASY.....17                  CLUTCH SHOE ASY.....17                  CLUTCH SHOE SET.....17                  COIL, SPARK PLUG CAP.....7                  COIL, IGNITION.....7                  COLLAR 5.....5, 11, 15                  COLLAR 8.....15                  CONNECTOR, FUEL PIPE.....11                  CONNECTOR, OIL PIPE.....13                  COVER, BRAKE.....15                  COVER, CYLINDER.....5                  COVER, FAN.....7                  COVER, FUEL PUMP.....19                  COVER, HANDLE.....11                  COVER, METERING DIAPHRAGM.....19                  COVER, MUFFLER.....9                  COVER, OIL PUMP.....13                  COVER, SEAL.....15</p>	<p>COVER, VENT.....11                  CRANKCASE KIT.....5                  CRANKSHAFT ASY.....5                  CUSHION.....5, 9                  CUSHION 5.....5, 11                  CYLINDER.....5</p> <p><b>D</b></p> <p>DEFLECTOR, HEAT.....5                  DIAPHRAGM, FUEL PUMP.....19                  DIAPHRAGM, METERING.....19                  DIAPHRAGM/GASKET KIT.....19                  DRUM, CLUTCH.....17                  DRUM, STARTER.....7                  DUCT, AIR.....7</p> <p><b>E</b></p> <p>ELBOW, CARBURETOR.....9                  ELEMENT, AIR FILTER.....9                  E-RING 3.....13</p> <p><b>F</b></p> <p>FAN, COOLING.....7                  FILTER, FUEL.....11                  FILTER, OIL.....13                  FLANGE NUT 8.....15                  FLYWHEEL.....7                  FUEL TANK CAP ASY.....11</p> <p><b>G</b></p> <p>GASKET, CRANKCASE.....5                  GASKET, CYLINDER.....5                  GASKET, FUEL PUMP.....19                  GASKET, METERING DIAPHRAGM.....19                  GASKET, MUFFLER.....9                  GEAR, BEVEL.....15                  GEAR, WORM.....13                  GRIP, HANDLE.....11                  GRIP, STARTER.....7                  GROMMET.....13                  GROMMET, CHOKE.....9                  GROMMET, FUEL.....11                  GROMMET, NEEDLE.....9                  GUARD, SPROCKET.....15                  GUIDE BAR- 16".....15                  GUIDE BAR- 20".....15                  GUIDE BAR- 24".....15                  GUIDE BAR- 27".....15                  GUIDE, EXHAUST.....9                  GUIDE, ROPE.....7</p> <p><b>H</b></p> <p>HANDLE, FRONT.....11                  HOLDER, ELEMENT.....9                  HOLDER, THROTTLE LEVER.....9                  HUB, CLUTCH.....17</p> <p><b>I</b></p> <p>INSULATOR, INTAKE.....9</p> <p><b>K</b></p> <p>KEY, WOODRUFF.....5                  KICK GUARD KIT.....15</p>	<p>KNOB.....13</p> <p><b>L</b></p> <p>LABEL.....15                  LABEL, BAR &amp; CHAIN.....5                  LABEL, CAUTION.....9                  LABEL, ECHO.....7, 15                  LABEL, KICK BACK.....5                  LABEL, KICK BACK - ENGLISH.....5                  LABEL, KICK BACK - FRENCH.....5                  LABEL, KICK BACK WARNING.....5                  LABEL, MODEL -- CS-670.....9                  LABEL, NOISE - ENGLISH/FRENCH.....5                  LABEL, SWITCH.....9                  LATCH, AIR CLEANER LID.....9                  LEAD.....9                  LEVER, BRAKE.....15                  LEVER, BRAKE BAND.....15                  LEVER, CHOKE.....19                  LEVER, FAST IDLE.....19                  LEVER, METERING.....19                  LID, CLEANER.....9                  LINK.....5, 11                  LINK, RETAINER.....5                  LOCKNUT.....15                  LOCKOUT, THROTTLE CONTROL.....11                  LUG, GROUND.....9                  L-WRENCH - 4mm.....15</p> <p><b>M</b></p> <p>MUFFLER.....9</p> <p><b>N</b></p> <p>NEEDLE - HIGH SPEED.....19                  NEEDLE - LO SPEED.....19                  NIPPLE.....13                  NUT.....9                  NUT 3.....15                  NUT 8.....7</p> <p><b>O</b></p> <p>OIL PUMP ASY.....13                  OIL SEAL.....5                  OIL TANK CAP ASY.....5                  O-RING.....5, 13                  O-RING 29.....11                  O-RING 3.....13                  O-RING 7.....13</p> <p><b>P</b></p> <p>PAWL, STARTER.....7                  PIN.....9                  PIN 3.5X26.....15                  PIN, DOWEL.....5                  PIN, METERING LEVER.....19                  PIN, PISTON.....5                  PIN, SPRING - 5X10.....5                  PIN, SPRING - 5X25.....11                  PIPE.....13                  PIPE, FUEL.....13                  PIPE, FUEL - 3X6X110mm.....11                  PIPE, FUEL - INNER.....11                  PIPE, IMPULSE.....9                  PIPE, OIL.....13</p>
--	--	--



# Part Description Index (continued)

PIPE, OUTLET.....13  
 PIPE, VENT.....11  
 PISTON KIT.....5  
 PISTON, OIL PUMP.....13  
 PLATE, CLUTCH.....17  
 PLATE, EYE.....5  
 PLATE, GUIDE - INNER.....15  
 PLATE, GUIDE - OUTER.....15  
 PLATE, STARTER.....7  
 PLUG.....11  
 PLUG, COVER.....9  
 PLUG, CUP.....19  
 PLUG, SPARK -- BPMR-7A.....7  
 PLUG, SPARK -- CJ-6Y.....7  
 PLUG, WELCH.....19  
 PLUG, FRICTION.....19

## R

REAR HANDLE ASY.....11  
 REPAIR KIT.....19  
 RETAINER, BRAKE BAND.....7  
 RETAINER, LINK.....11  
 RING, END.....5  
 RING, PISTON.....5  
 RING, RETAINING.....19  
 RIVET.....11  
 ROD, CHOKE.....9  
 ROD, THROTTLE.....9  
 ROLLER 4X8.8.....15  
 ROPE, STARTER - 4X900mm.....7

## S

SCREEN.....19  
 SCREEN, INLET.....19  
 SCREEN, MUFFLER.....9  
 SCREW.....5, 7, 15, 19  
 SCREW 3X18.....15  
 SCREW 3X6.....15  
 SCREW 3X8.....5, 11  
 SCREW 4X10.....9, 13, 15  
 SCREW 4X12.....15  
 SCREW 4X14.....11  
 SCREW 4X8.....7, 15  
 SCREW 5X14.....5  
 SCREW 5X18.....5  
 SCREW 5X20.....11, 13  
 SCREW 5X35.....11  
 SCREW KIT.....15  
 SCREW, CHOKE LEVER.....19  
 SCREW, CHOKE VALVE.....19  
 SCREW, IDLE ADJUST.....19  
 SCREW, METERING DIAPHRAGM COVER.....  
 19  
 SCREW, METERING LEVER PIN.....19  
 SCREW, PUMP COVER.....19  
 SCREW, THROTTLE STOP.....19  
 SCREWDRIVER.....15  
 SEAL, OIL.....5  
 SHAFT, CHOKE.....19  
 SHAFT, THROTTLE.....19  
 SPACER.....15  
 SPACER 8.....15  
 SPACER, RATCHET.....7  
 SPIKED BUMPER KIT.....15  
 SPRING.....13, 15  
 SPRING PIN 2X16.....13  
 SPRING, BRAKE.....15

SPRING, CHOKE RETURN.....19  
 SPRING, CLUTCH.....17  
 SPRING, COMPRESSION.....5, 11  
 SPRING, FLAT.....9  
 SPRING, IDLE ADJUST.....19  
 SPRING, METERING LEVER.....19  
 SPRING, RETURN.....7  
 SPRING, REWIND.....7  
 SPRING, TENSION.....9  
 SPRING, THROTTLE RETURN.....11, 19  
 SPRING, VALVE.....13  
 SPROCKET, RIM.....17  
 STARTER ASY.....7  
 STOP, THROTTLE.....19  
 STOPPER, BRAKE.....15  
 STUD, GUIDE BAR.....5  
 SWITCH, IGNITION.....9

## T

TENSIONER, CHAIN.....15  
 TRIGGER, THROTTLE.....11  
 TUBE.....7

## V

VALVE, BALL.....13  
 VALVE, CHECK.....5, 11  
 VALVE, CHOKE.....19  
 VALVE, INLET NEEDLE.....19  
 VALVE, THROTTLE.....19

## W

WASHER.....7, 19  
 WASHER 12.....13  
 WASHER 5.....5, 7, 13  
 WASHER 6.....11  
 WRENCH W/SCREWDRIVER.....15

## **NOTES**



**ECHO, INCORPORATED**

400 Oakwood Road  
Lake Zurich, IL 60047 USA

[WWW.ECHO-USA.COM](http://WWW.ECHO-USA.COM)

---