



AVAILABLE ATTACHMENTS & ACCESSORIES

Attachments

16A0AD3366	Guide Bar - 16" (.050" Ga) -- ProAm Double Guard
18A0AD3372	Guide Bar - 18" (.050" Ga) -- ProAm Double Guard
20A0AD3378	Guide Bar - 20" (.050" Ga) -- ProAm Double Guard
333068	Sawing Chain - 16" (.050" Ga) -- Pro Guard
33SL72G	Sawing Chain - 18" (.050" Ga) -- Pro Guard
33SL78G	Sawing Chain - 20" (.050" Ga) -- Pro Guard
89850308032	Bar & Chain Cover - 17"
89850308033	Bar & Chain Cover - 20"
99988801205	CS Fixed Nose Case

PARTS CATALOG
CS-5000 Type 1E
Chain Saw

49.3cc

ECHO, INCORPORATED

400 Oakwood Road Lake Zurich, Illinois 60047 USA

WWW.ECHO-USA.COM



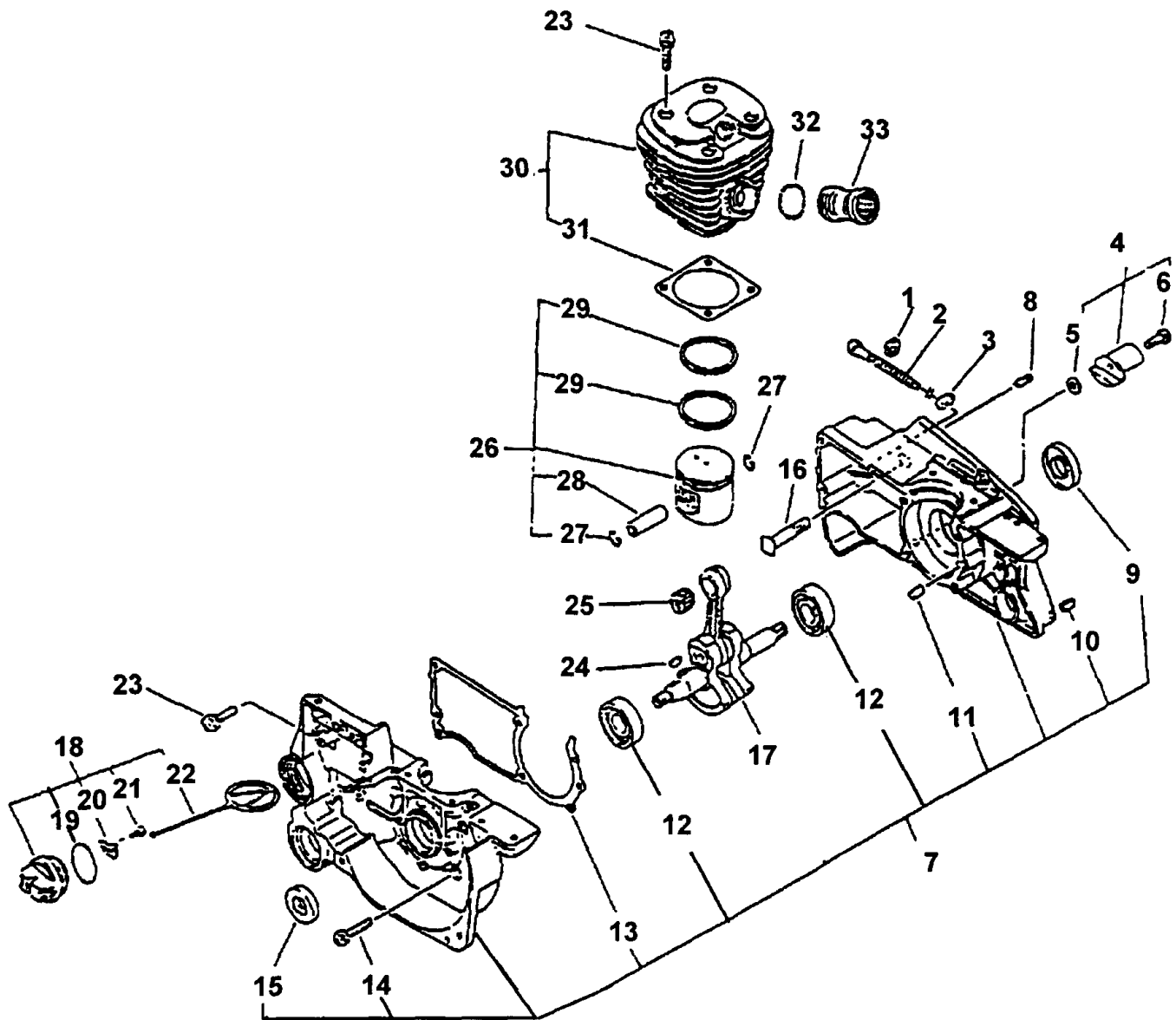
Table of Contents

Click Any Diagram Description Below To View That Diagram.

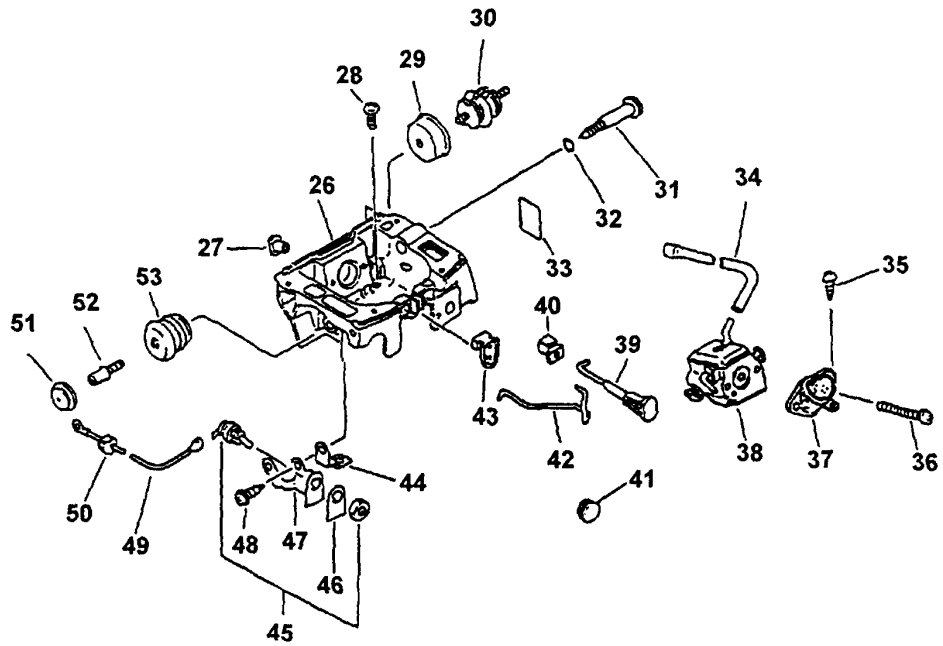
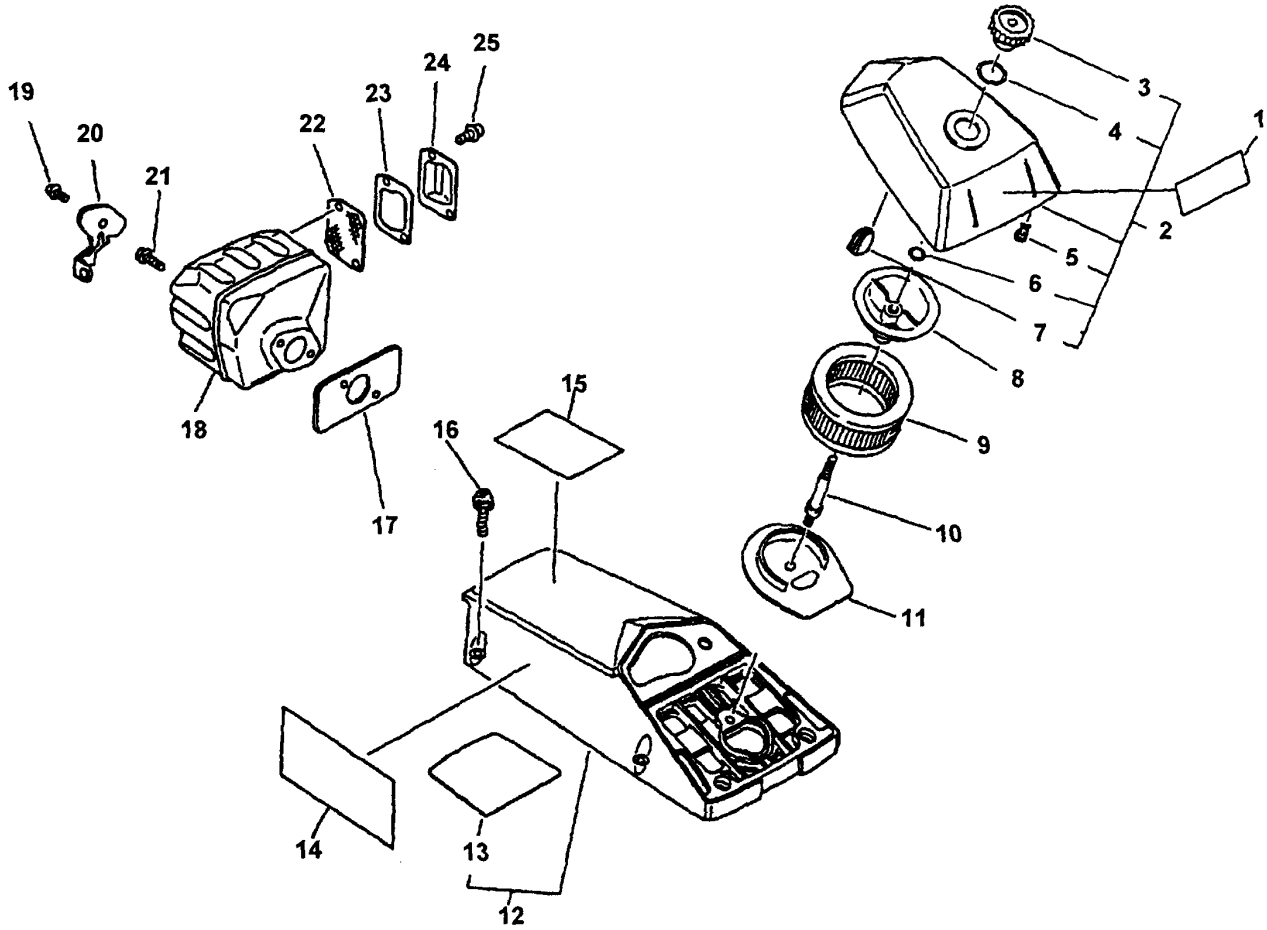
CS-5000 Type 1E

Engine, Crankcase.....	4
Intake, Exhaust, Air Cleaner.....	6
Carburetor.....	8
Handles, Throttle Control.....	10
Ignition, Starter Asy, Fan, Oiler Asy.....	12
Clutch, Cutting Attachment, Chain Brake.....	14
Part Number Index.....	16
Part Description Index.....	17

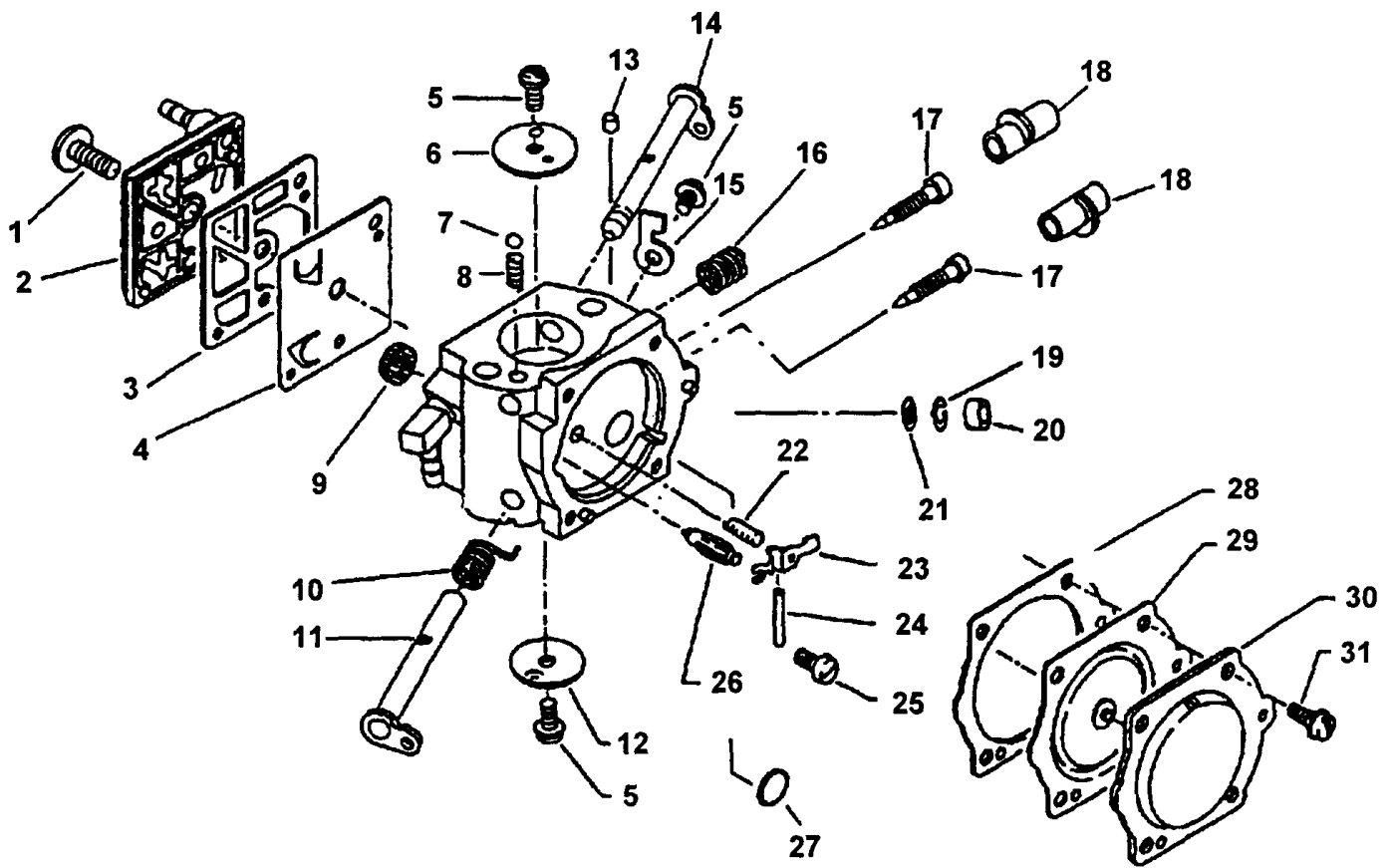
This Page Intentionally Left Blank



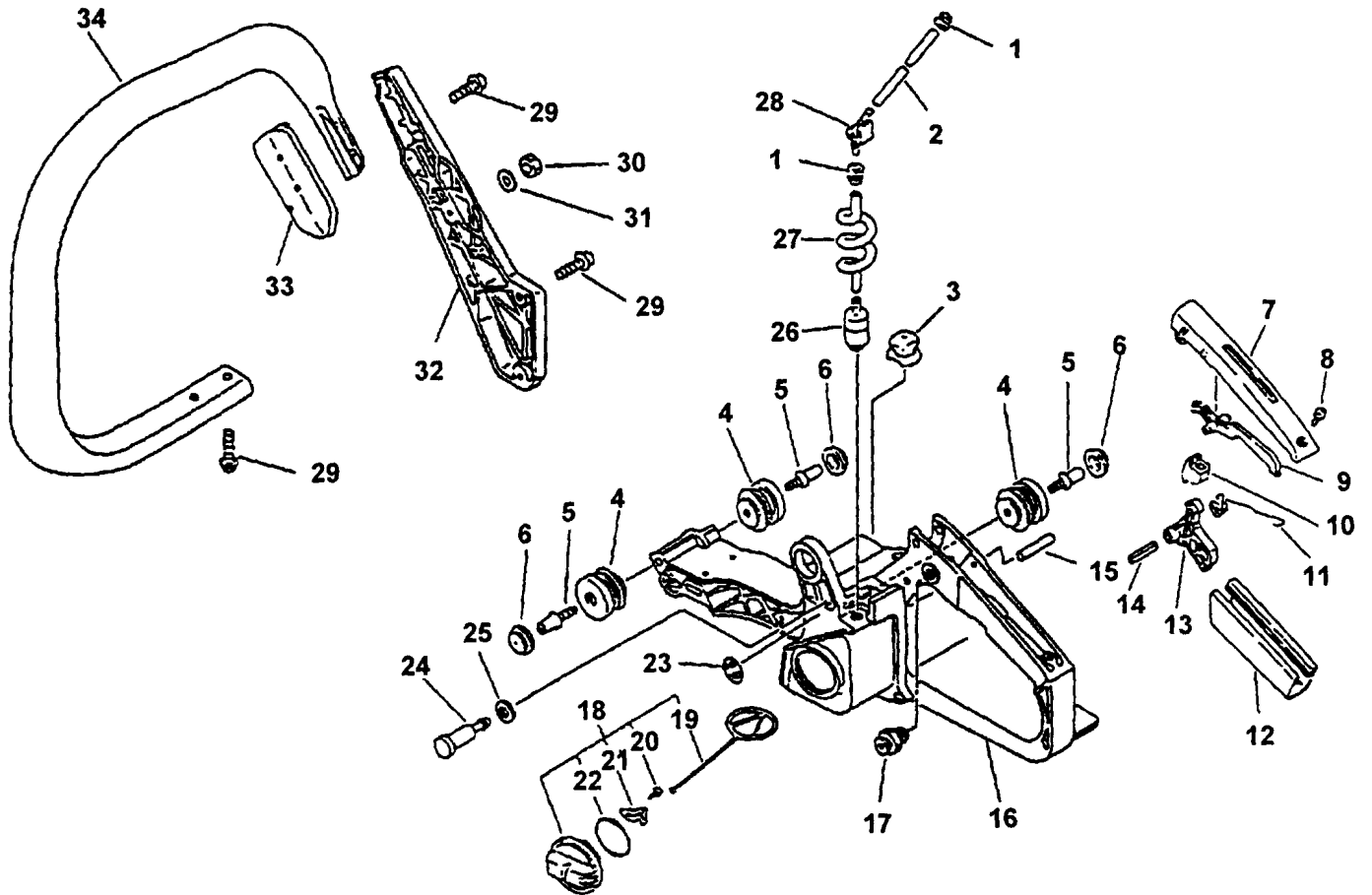
ITEM	PART NUMBER	QTY	DESCRIPTION	REMARKS
1	43302811030	1	CLIP	
2	43301619830	1	SCREW, TENSIONER	
3	43301419830	1	TENSIONER	
4	43300033330	1	CATCHER KIT, CHAIN	INCLUDES 5 & 6
5	90060000005	1	WASHER 5	
6	90022005018	1	SCREW 5X18	
7	10020439831	1	CRANKCASE KIT	INCLUDES ITEMS 8 - 16
8	43611413930	1	VALVE, CHECK	
9	10021232430	1	OILSEAL	
10	90034550010	1	PIN, SPRING 5X10	
11	10021502830	2	PIN, DOWEL	
12	90081036202	2	BEARING, BALL 6202	
13	10024239730	1	GASKET, CRANKCASE	
14	90016205030	4	SCREW 5X30	
15	10021219830	1	OILSEAL	
16	43301119830	2	STUD, GUIDE BAR	
17	10010033330	1	CRANKSHAFT ASY	
18	43600137933	1	CAP ASY, OIL TANK	INCLUDES ITEMS 19 - 22
19	90072502025	1	O-RING 2025	
20	13105019830	1	RETAINER, LINK	
21	90024603008	1	SCREW 3X8	
22	13105119830	1	CLIP, FUEL CAP	
23	90016205020	6	SCREW 5X20	
24	10014230830	1	KEY, WOODRUFF	
25	10001219830	1	BEARING, NEEDLE	
26	10000039730	1	PISTON KIT	INCLUDES ITEMS 27 - 29
27	10001500120	2	CIRCLIP, PISTON PIN	
28	10001339730	1	PIN, PISTON	
29	10001139730	2	RING, PISTON	
30	10100139730	1	CYLINDER ASY	INCLUDES ITEM 31
31	10101039730	1	GASKET, CYLINDER BASE	
32	13051619830	1	BAND	
33	13051033330	1	ADAPTER, INTAKE	



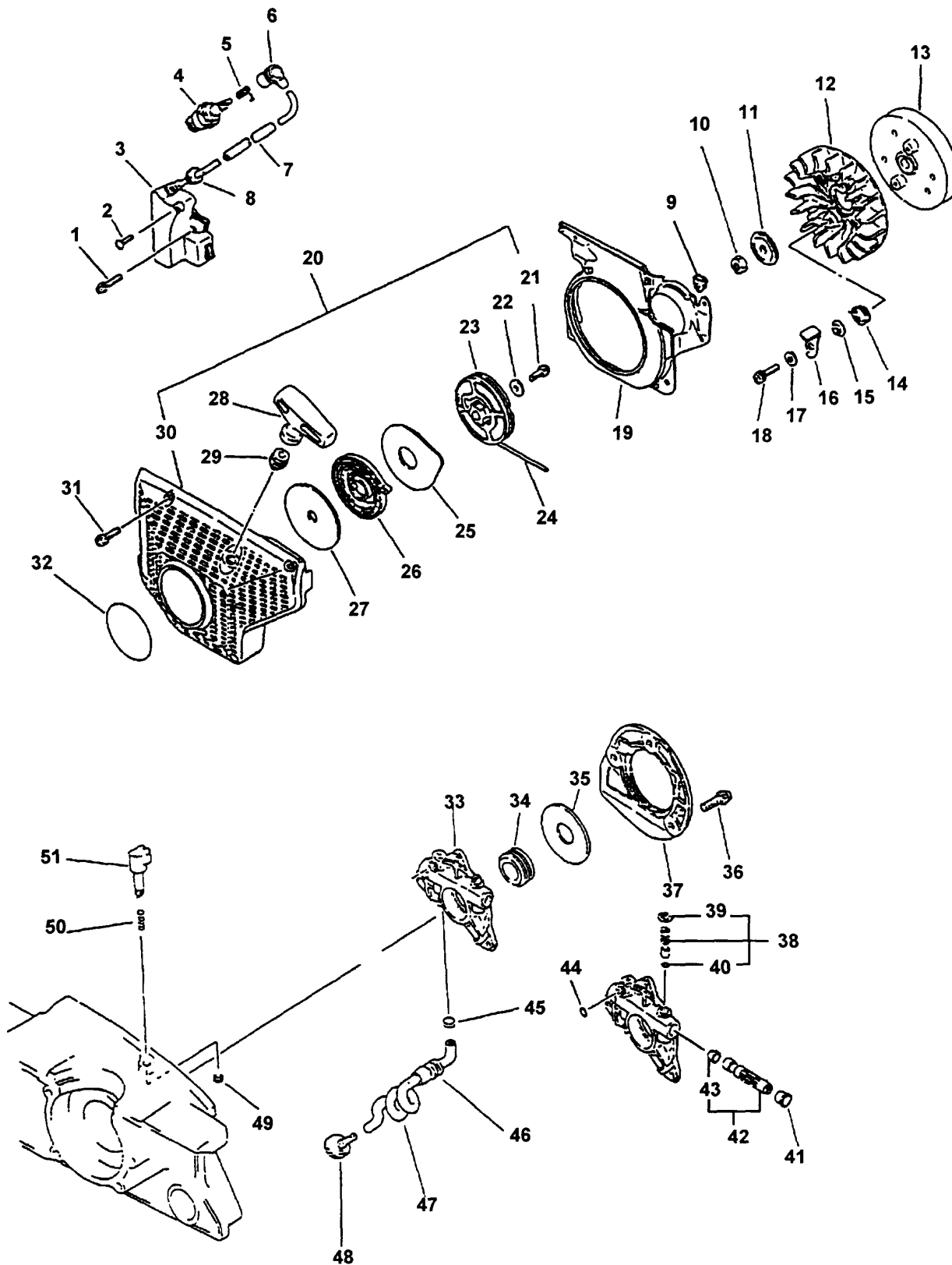
ITEM	PART NUMBER	QTY	DESCRIPTION	REMARKS
1	89016139830	1	LABEL - MODEL	
2	13030239731	1	COVER ASY, AIR CLEANER	INCLUDES ITEMS 3 - 7
3	13040633331	1	KNOB, CLEANER LID	
4	90072000021	1	O-RING 21	
5	13036633330	4	CUSHION	
6	90072000011	1	O-RING 11	
7	13033832430	1	PLUG, COVER	
8	13040539730	1	BRACKET, AIR CLEANER	
9	13030039730	1	FILTER, AIR	
10	13032539730	1	STUD, AIR CLEANER	
11	13042039730	1	BRACKET, AIR CLEANER	
12	10150137630	1	COVER, CYLINDER	INCLUDES ITEM 13
13	10152033330	1	COVER	
14	89019230136	1	LABEL, BAR & CHAIN	
15	89019130131	1	LABEL - KICK BACK	
16	90023805018	5	SCREW 5X18	
17	14551019831	1	GASKET, MUFFLER	
18	14561033330	1	MUFFLER	
19	90010505010	1	BOLT, H.S. 5X10	
20	14571133330	1	STAY, MUFFLER	
21	90016205020	2	SCREW 5X20	
22	14586233930	1	SCREEN, MUFFLER	
23	14586633331	1	GASKET, MUFFLER LID	
24	14587333930	1	LID, MUFFLER	
25	90010504010	2	BOLT, H.S. 4X10	
26	13030637633	1	CASE, CARBURETOR	INCLUDES ITEMS 27 & 36
27	13002033330	2	NUT	
28	90023805018	4	SCREW 5X18	
29	10092719830	1	PLATE, CUSHION	
30	10090537530	1	CUSHION	
31	12901337630	1	KNOB, CARBURETOR ADJUST	
32	90072000006	1	O-RING 6	
33	89018503460	1	LABEL, IDLE	
34	13011019830	1	PIPE	
35	90025305014	1	SCREW 5X14	
36	90016205050	2	SCREW 5X50	
37	13051839730	1	ADAPTOR, INTAKE	
38	12300039831	1	CARBURETOR HDA-145A	
39	17851037630	1	ROD, CHOKE	
40	17881033330	1	GROMMET, CHOKE	
41	16391130130	1	PLUG	
42	17801133731	1	ROD, THROTTLE	
43	17811433731	1	HOLDER, THROTTLE LEVER	
44	15663533330	1	PLATE, GROUND	
45	16340030830	1	SWITCH, IGNITION	
46	89015730130	1	LABEL, SWITCH	
47	16381030130	1	BRACKET, SWITCH	
48	90025305010	1	SCREW 5X10	
49	16202119831	1	LEAD	
50	15611404920	1	GROMMET	
51	10091819830	1	CAP, CUSHION	
52	10091533930	1	SCREW	
53	10091719830	1	CUSHION	



ITEM	PART NUMBER	QTY	DESCRIPTION	REMARKS
	12300039831	1	CARBURETOR HDA-145A	INCLUDES ITEMS 1 - 31
1	12311003930	1	SCREW	
2	12312419830	1	COVER, FUEL PUMP	
3		1	GASKET, FUEL PUMP	INCLUDES REBUILD KIT PART NO. 12310039830 AND DIAPHRAGM/GASKET KIT PART NO. 12310117330
4		1	DIAPHRAGM, FUEL PUMP	INCLUDES REBUILD KIT PART NO. 12310039830 AND DIAPHRAGM/GASKET KIT PART NO. 12310117330
5	12311403930	3	SCREW	
6	12313232430	1	VALVE, CHOKE	
7	12313610630	1	BALL, CHOKE FRICTION	
8	12313510630	1	SPRING, CHOKE FRICTION	
9		1	SCREEN, INLET	INCLUDES REBUILD KIT PART NO. 12310039830
10	12311316130	1	SPRING, THROTTLE RETURN	
11	12311719830	1	SHAFT, THROTTLE	
12	12311610530	1	VALVE, THROTTLE	
13	12317815030	1	PLUG, FRICTION	
14	12313119830	1	SHAFT, CHOKE	
15	12315630830	1	STOP, THROTTLE	
16	12313311130	1	SPRING, IDLE ADJUST	
17	12312003661	2	NEEDLE, HIGH & LOW	
18	12315139230	2	CAP, LIMITER	
19		1	RING, RETAINING	INCLUDES REBUILD KIT PART NO. 12310039830
20		1	PLUG, WELCH	INCLUDES REBUILD KIT PART NO. 12310039830
21		1	SCREEN	INCLUDES REBUILD KIT PART NO. 12310039830
22		1	SPRING, METERING LEVER	INCLUDES REBUILD KIT PART NO. 12310039830
23		1	LEVER, METERING	INCLUDES REBUILD KIT PART NO. 12310039830
24		1	PIN, METERING LEVER	INCLUDES REBUILD KIT PART NO. 12310039830
25		1	SCREW, METERING LEVER PIN	INCLUDES REBUILD KIT PART NO. 12310039830
26		1	VALVE, INLET NEEDLE	INCLUDES REBUILD KIT PART NO. 12310039830
27		1	PLUG, WELCH	INCLUDES REBUILD KIT PART NO. 12310039830
28		1	GASKET, METERING DIAPHRAGM	
29		1	DIAPHRAGM, METERING	INCLUDES REBUILD KIT PART NO. 12310039830 AND DIAPHRAGM/GASKET KIT PART NO. 12310117330
30	12314217330	1	COVER, PRIMER PUMP	INCLUDES REBUILD KIT PART NO. 12310039830 AND DIAPHRAGM/GASKET KIT PART NO. 12310117330
31		4	SCREW	INCLUDES REBUILD KIT PART NO. 12310039830
	12310039830	1	REBUILD KIT	
	12310117330	1	DIAPHRAGM/GASKET KIT	



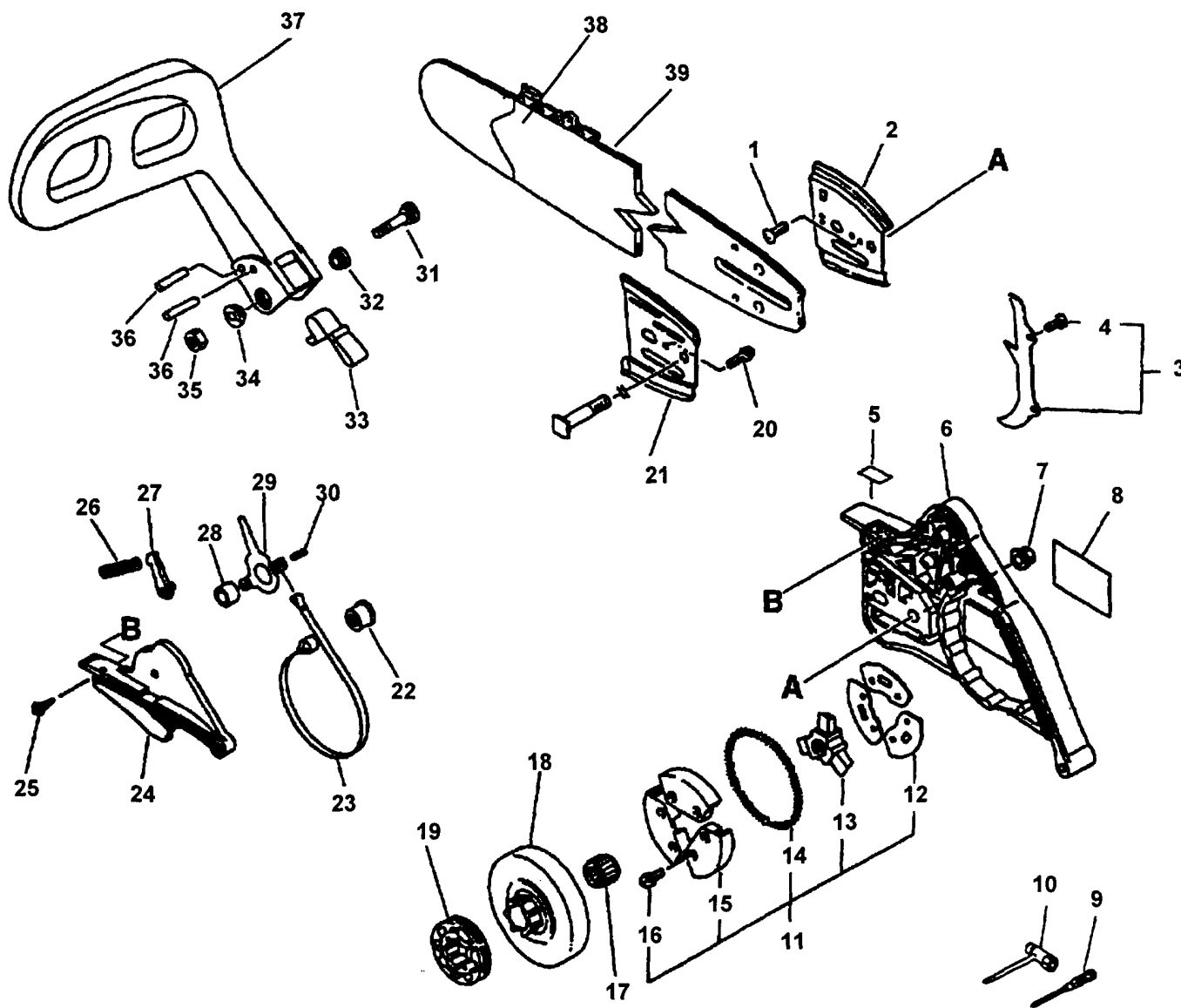
ITEM	PART NUMBER	QTY	DESCRIPTION	REMARKS
1	13211501461	2	GROMMET	
2	13201219830	1	PIPE 3X6X100	
3	10025119830	1	CUSHION (A)	
4	10091019830	3	CUSHION	
5	10091533930	3	SCREW	
6	10091819830	3	CAP, CUSHION	
7	35115530131	1	COVER, HANDLE	
8	90025304014	1	SCREW 4X14	
9	17809037930	1	LOCKOUT, THROTTLE CONTROL	
10	17807332430	1	CUSHION, THROTTLE	
11	17804319830	1	SPRING, THROTTLE RETURN	
12	35111130130	1	GRIP	
13	17801038130	1	CONTROL, THROTTLE	
14	90034250025	1	PIN, SPRING 5X25	
15	90033030260	1	ROLLER 3X26	
16	35110337630	1	HANDLE, REAR	
17	17830237630	1	LATCH, THROTTLE	
18	13100437631	1	CAP ASY, FUEL	INCLUDES ITEMS 19 - 22
19	13105119830	1	CLIP, FUEL CAP	
20	90024603008	1	SCREW 3X8	
21	13105019830	1	RETAINER, LINK	
22	90072000029	1	O-RING 29	
23	10025219830	1	CUSHION (B)	
24	13130040630	1	VENT ASY	
25	13132933930	1	GROMMET, FUEL	
26	13120530830	1	STRAINER, FUEL	
27	13201019830	1	PIPE	
28	13201119830	1	CONNECTOR, FUEL PIPE	
29	90025305020	9	SCREW 5X20	
30	90052900005	1	NUT, SLOT 5	
31	90060000005	1	WASHER 5	
32	35161333930	1	BRACKET, HANDLE	
33	35161433930	1	BRACKET, HANDLE	
34	35160637630	1	HANDLE, FRONT	



CS-5000 Type 1E Chain Saw

Ignition, Starter Asy, Fan, Oiler Asy

ITEM	PART NUMBER	QTY	DESCRIPTION	REMARKS
1	90016204020	2	SCREW 4X20	
2	90023804008	1	SCREW 4X8	
3	15662639731	1	COIL, IGNITION	
4	15901716431	1	SPARK PLUG -- CJ-6Y	
5	15901103432	1	COIL, SPARK PLUG CAP	
6	15901203433	1	CAP, SPARK PLUG	
7	15661313930	1	TUBE	
8	15011200310	1	GROMMET	
9	15611404920	1	GROMMET	
10	90050000008	1	NUT 8	
11	10014319830	1	WASHER	
12	10152139730	1	FAN, COOLING	
13	15680032631	1	FLYWHEEL	
14	17723419830	2	SPRING, RETURN	
15	17724719830	2	SPACER, RATCHET	
16	17721819830	2	PAWL, STARTER	
17	90060300005	2	WASHER 5	
18	90023805014	2	SCREW 5X14	
19	10153539830	1	COVER, FAN	
20	17720037632	1	STARTER ASY	INCLUDES ITEMS 21 - 30
21	90023805014	1	SCREW 5X14	
22	90060300005	1	WASHER 5	
23	17721519830	1	DRUM, STARTER	
24		1	ROPE, STARTER	USE BULK ROPE 99944400050
25	17724203930	1	PLATE, STARTER	
26	17722003930	1	SPRING, REWIND	
27	17722103930	1	PLATE, STARTER	
28	17722819830	1	GRIP, STARTER	
29	17722705020	1	GUIDE, ROPE	
30	10150737632	1	COVER, FAN	
31	90023805018	4	SCREW 5X18	
32	89011835430	1	LABEL, ECHO	
33	43700237530	1	AUTO-OILER ASY	INCLUDES ITEMS 38 - 44
34	43700419931	1	WORM ASY	
35	43706630130	1	WASHER, CIRCULAR	
36	90023804012	3	SCREW 4X12	
37	43760537630	1	COVER, OIL PUMP	
38	43700935430	1	PIN, CONTROL	
39	43706519830	1	CLIP	
40	43703019830	1	O-RING	
41	43706219830	1	CAP, PLUNGER	
42	43700632330	1	PLUNGER KIT	
43	43702032430	1	V-RING	
44	90072000003	1	O-RING 3	
45	13201326630	1	CLIP	
46	13211512330	1	GROMMET	
47	43721039730	1	PIPE, OIL	
48	43620514730	1	STRAINER, OIL	
49	90070000003	1	E-RING 3	
50	43701519830	1	SPRING	
51	43703937630	1	KNOB	



ITEM	PART NUMBER	QTY	DESCRIPTION	REMARKS
	43320033932	1	CHAIN BRAKE ASY	INCLUDES ITEMS 6, 22 - 37
1	90024104008	1	SCREW 4X8	
2	43301214533	1	PLATE, GUIDE (OUTER)	
3	88020030131	1	BUMPER KIT, SPIKED	INCLUDES ITEM 4
4	88021130130	2	BOLT	
5	89015530130	1	LABEL, CAUTION	
6	43300537630	1	GUARD, SPROCKET	
7	43301912330	2	NUT, FLANGE 8	
8	89011838130	1	LABEL, ECHO	
9	89581203930	1	SCREW DRIVER 50	
10	89541006960	1	WRENCH, W/SCREWDRIVER	
11	17500037531	1	CLUTCH ASY	INCLUDES ITEMS 12 - 16
12	17501919830	3	PLATE, CLUTCH	
13	17501619830	1	HUB, CLUTCH	
14	17501819830	1	SPRING, CLUTCH	
15	17500219830	1	SHOE, CLUTCH	
16	90010504006	3	SCREW 4X6	
17	17501219830	1	BEARING, NEEDLE	
18	17510519930	1	DRUM, CLUTCH	
19	17511412530	1	RIM, SPROCKET 31569	
20	90024103006	1	SCREW 3X6	
21	43301319831	1	PLATE, GUIDE (INNER)	
22	43314235430	1	ADJUSTER	
23	43312335430	1	BAND, BRAKE	
24	43331037630	1	COVER, BRAKE	
25	90025304010	3	SCREW 4X10	
26	43312235430	1	SPRING, BRAKE	
27	43320935430	1	STOPPER, BRAKE	
28	43311635430	1	SPACER 8X12X9	
29	43320835431	1	LEVER, BRAKE	
30	90033040088	1	ROLLER 4X8.8	
31	90020905035	1	SCREW 5X35	
32	43316739730	1	COLLAR 5	
33	43311437530	1	SPRING, RETURN	
34	43316739130	1	SPACER	
35	90056000005	1	NUT, LOCK 5	
36	90033035260	2	ROLLER 3.5X26	
37	43310539730	1	LEVER, BRAKE	
38	33SL66G	1	SAWING CHAIN - 16" -- Pro Guard	GAUGE: .050" / PITCH: .325"
	33SL72G	1	SAWING CHAIN - 18" -- Pro Guard	GAUGE: .050" / PITCH: .325"
	33SL78G	1	SAWING CHAIN - 20" -- Pro Guard	GAUGE: .050" / PITCH: .325"
39	16A0AD3366		GUIDE BAR - 16" -- ProAm Double Guard	GAUGE: .050"
	18A0AD3372	1	GUIDE BAR - 18" -- ProAm Double Guard	GAUGE: .050"
	20A0AD3378	1	GUIDE BAR - 20" -- ProAm Double Guard	GAUGE: .050"



Part Number Index

Click The Page Number After Any Part Number To View The Diagram Containing That Part.

Part Number	Page	Part Number	Page	Part Number	Page	Part Number	Page
.....	9, 13	1321150146111	4331233543015	900725020255
100000397305	1321151233013	4331423543015	900810362025
100011397305	145510198317	4331673913015		
100012198305	145610333307	4331673973015		
100013397305	145711333307	4332003393215		
100015001205	145862339307	4332083543115		
100100333305	145866333317	4332093543015		
100142308305	145873339307	4333103763015		
1001431983013	1501120031013	436001379335		
100204398315	156114049207, 13	436114139305		
100212198305	1566131393013	4362051473013		
100212324305	1566263973113	4370023753013		
100215028305	156635333307	4370041993113		
100242397305	1568003263113	4370063233013		
1002511983011	1590110343213	4370093543013		
1002521983011	1590120343313	4370151983013		
100905375307	1590171643113	4370203243013		
1009101983011	162021198317	4370301983013		
100915339307, 11	163400308307	4370393763013		
100917198307	163810301307	4370621983013		
100918198307, 11	163911301307	4370651983013		
100927198307	16A0AD336615	4370663013013		
101001397305	1750003753115	4372103973013		
101010397305	1750021983015	4376053763013		
101501376307	1750121983015	8802003013115		
1015073763213	1750161983015	8802113013015		
101520333307	1750181983015	8901183543013		
1015213973013	1750191983015	8901183813015		
1015353983013	1751051993015	8901553013015		
123000398317, 9	1751141253015	890157301307		
123100398309	1772003763213	890161398307		
123101173309	1772151983013	890185034607		
123110039309	1772181983013	890191301317		
123113161309	1772200393013	890192301367		
123114039309	1772210393013	8954100696015		
123116105309	1772270502013	8958120393015		
123117198309	1772281983013	9001050400615		
123120036619	1772341983013	900105040107		
123124198309	1772420393013	900105050107		
123131198309	1772471983013	9001620402013		
123132324309	1780103813011	900162050205, 7		
123133111309	178011337317	900162050305		
123135106309	1780431983011	900162050507		
123136106309	1780733243011	9002090503515		
123142173309	1780903793011	900220050185		
123151392309	178114337317	9002380400813		
123156308309	1783023763011	9002380401213		
123178150309	178510376307	9002380501413		
129013376307	178810333307	900238050187, 13		
130020333307	18A0AD337215	9002410300615		
130110198307	20A0AD337815	9002410400815		
130300397307	33SL66G15	900246030085, 11		
130302397317	33SL72G15	9002530401015		
130306376337	33SL78G15	9002530401411		
130325397307	3511033763011	900253050107		
130338324307	3511113013011	900253050147		
130366333307	3511553013111	9002530502011		
130405397307	3516063763011	9003303026011		
130406333317	3516133393011	9003303526015		
130420397307	3516143393011	9003304008815		
130510333305	433000333305	9003425002511		
130516198305	4330053763015	900345500105		
130518397307	433011198305	9005000000813		
1310043763111	4330121453315	9005290000511		
131050198305, 11	4330131983115	9005600000515		
131051198305, 11	433014198305	900600000055, 11		
1312053083011	433016198305	9006030000513		
1313004063011	4330191233015	9007000000313		
1313293393011	433028110305	9007200000313		
1320101983011	4331053973015	900720000067		
1320111983011	4331143753015	900720000117		
1320121983011	4331163543015	900720000217		
1320132663013	4331223543015	9007200002911		



Part Description Index

Click The Page Number After Any Part Description To View The Diagram Containing That Part.

O	OILSEAL.....5	DIAPHRAGM/GASKET KIT.....9	NUT.....7
		DRUM, CLUTCH.....15	NUT 8.....13
		DRUM, STARTER.....13	NUT, FLANGE 8.....15
			NUT, LOCK 5.....15
			NUT, SLOT 5.....11
A	ADAPTER, INTAKE.....5	E	O
	ADAPTOR, INTAKE.....7	E-RING 3.....13	OILSEAL.....5
	ADJUSTER.....15		O-RING.....13
	AUTO-OILER ASY.....13	F	O-RING 11.....7
		FAN, COOLING.....13	O-RING 2025.....5
		FILTER, AIR.....7	O-RING 21.....7
		FLYWHEEL.....13	O-RING 29.....11
B	BALL, CHOKE FRICTION.....9	G	O-RING 3.....13
	BAND.....5	GASKET, CRANKCASE.....5	O-RING 6.....7
	BAND, BRAKE.....15	GASKET, CYLINDER BASE.....5	
	BEARING, BALL 6202.....5	GASKET, FUEL PUMP.....9	P
	BEARING, NEEDLE.....5, 15	GASKET, METERING DIAPHRAGM.....9	PAWL, STARTER.....13
	BOLT.....15	GASKET, MUFFLER.....7	PIN, CONTROL.....13
	BOLT, H.S. 4X10.....7	GASKET, MUFFLER LID.....7	PIN, DOWEL.....5
	BOLT, H.S. 5X10.....7	GRIP.....11	PIN, METERING LEVER.....9
	BRACKET, AIR CLEANER.....7	GRIP, STARTER.....13	PIN, PISTON.....5
	BRACKET, HANDLE.....11	GROMMET.....7, 11, 13	PIN, SPRING 5X10.....5
	BRACKET, SWITCH.....7	GROMMET, CHOKE.....7	PIN, SPRING 5X25.....11
	BUMPER KIT, SPIKED.....15	GROMMET, FUEL.....11	PIPE.....7, 11
		GUARD, SPROCKET.....15	PIPE 3X6X100.....11
		GUIDE BAR - 16" -- ProAm Double Guard.....15	PIPE, OIL.....13
		GUIDE BAR - 18" -- ProAm Double Guard.....15	PISTON KIT.....5
		GUIDE BAR - 20" -- ProAm Double Guard.....15	PLATE, CLUTCH.....15
		GUIDE, ROPE.....13	PLATE, CUSHION.....7
			PLATE, GROUND.....7
			PLATE, GUIDE (INNER).....15
			PLATE, GUIDE (OUTER).....15
			PLATE, STARTER.....13
			PLUG.....7
			PLUG, COVER.....7
			PLUG, FRICTION.....9
			PLUG, WELCH.....9
			PLUNGER KIT.....13
C	CAP ASY, FUEL.....11	H	R
	CAP ASY, OIL TANK.....5	HANDLE, FRONT.....11	REBUILD KIT.....9
	CAP, CUSHION.....7, 11	HANDLE, REAR.....11	RETAINER, LINK.....5, 11
	CAP, LIMITER.....9	HOLDER, THROTTLE LEVER.....7	RIM, SPROCKET 31569.....15
	CAP, PLUNGER.....13	HUB, CLUTCH.....15	RING, PISTON.....5
	CAP, SPARK PLUG.....13		RING, RETAINING.....9
	CARBURETOR HDA-145A.....7, 9	K	ROD, CHOKE.....7
	CASE, CARBURETOR.....7	KEY, WOODRUFF.....5	ROD, THROTTLE.....7
	CATCHER KIT, CHAIN.....5	KNOB.....13	ROLLER 3.5X26.....15
	CHAIN BRAKE ASY.....15	KNOB, CARBURETOR ADJUST.....7	ROLLER 3X26.....11
	CIRCLIP, PISTON PIN.....5	KNOB, CLEANER LID.....7	ROLLER 4X8.8.....15
	CLIP.....5, 13		ROPE, STARTER.....13
	CLIP, FUEL CAP.....5, 11	L	S
	CLUTCH ASY.....15	LABEL - KICK BACK.....7	SAWING CHAIN - 16" -- Pro Guard.....15
	COIL, IGNITION.....13	LABEL - MODEL.....7	SAWING CHAIN - 18" -- Pro Guard.....15
	COIL, SPARK PLUG CAP.....13	LABEL, BAR & CHAIN.....7	SAWING CHAIN - 20" -- Pro Guard.....15
	COLLAR 5.....15	LABEL, CAUTION.....15	SCREEN.....9
	CONNECTOR, FUEL PIPE.....11	LABEL, ECHO.....13, 15	SCREEN, INLET.....9
	CONTROL, THROTTLE.....11	LABEL, IDLE.....7	SCREEN, MUFFLER.....7
	COVER.....7	LABEL, SWITCH.....7	SCREW.....7, 9, 11
	COVER ASY, AIR CLEANER.....7	LATCH, THROTTLE.....11	SCREW 3X6.....15
	COVER, BRAKE.....15	LEAD.....7	SCREW 3X8.....5, 11
	COVER, CYLINDER.....7	LEVER, BRAKE.....15	SCREW 4X10.....15
	COVER, FAN.....13	LEVER, METERING.....9	
	COVER, FUEL PUMP.....9	LID, MUFFLER.....7	
	COVER, HANDLE.....11	LOCKOUT, THROTTLE CONTROL.....11	
	COVER, OIL PUMP.....13		
	COVER, PRIMER PUMP.....9	M	
	CRANKCASE KIT.....5	MUFFLER.....7	
	CRANKSHAFT ASY.....5		
	CUSHION.....7, 11	N	
	CUSHION (A).....11	NEEDLE, HIGH & LOW.....9	
	CUSHION (B).....11		
	CUSHION, THROTTLE.....11		
	CYLINDER ASY.....5		
D	DIAPHRAGM, FUEL PUMP.....9		
	DIAPHRAGM, METERING.....9		



Part Description Index (continued)

SCREW 4X12.....13
 SCREW 4X14.....11
 SCREW 4X20.....13
 SCREW 4X6.....15
 SCREW 4X8.....13, 15
 SCREW 5X10.....7
 SCREW 5X14.....7, 13
 SCREW 5X18.....5, 7, 13
 SCREW 5X20.....5, 7, 11
 SCREW 5X30.....5
 SCREW 5X35.....15
 SCREW 5X50.....7
 SCREW DRIVER 50.....15
 SCREW, METERING LEVER PIN.....9
 SCREW, TENSIONER.....5
 SHAFT, CHOKE.....9
 SHAFT, THROTTLE.....9
 SHOE, CLUTCH.....15
 SPACER.....15
 SPACER 8X12X9.....15
 SPACER, RATCHET.....13
 SPARK PLUG -- CJ-6Y.....13
 SPRING.....13
 SPRING, BRAKE.....15
 SPRING, CHOKE FRICTION.....9
 SPRING, CLUTCH.....15
 SPRING, IDLE ADJUST.....9
 SPRING, METERING LEVER.....9
 SPRING, RETURN.....13, 15
 SPRING, REWIND.....13
 SPRING, THROTTLE RETURN.....9, 11
 STARTER ASY.....13
 STAY, MUFFLER.....7
 STOP, THROTTLE.....9
 STOPPER, BRAKE.....15
 STRAINER, FUEL.....11
 STRAINER, OIL.....13
 STUD, AIR CLEANER.....7
 STUD, GUIDE BAR.....5
 SWITCH, IGNITION.....7

T

TENSIONER.....5
 TUBE.....13

V

VALVE, CHECK.....5
 VALVE, CHOKE.....9
 VALVE, INLET NEEDLE.....9
 VALVE, THROTTLE.....9
 VENT ASY.....11
 V-RING.....13

W

WASHER.....13
 WASHER 5.....5, 11, 13
 WASHER, CIRCULAR.....13
 WORM ASY.....13
 WRENCH, W/SCREWDRIVER.....15

NOTES



ECHO, INCORPORATED

400 Oakwood Road
Lake Zurich, IL 60047 USA

WWW.ECHO-USA.COM
