



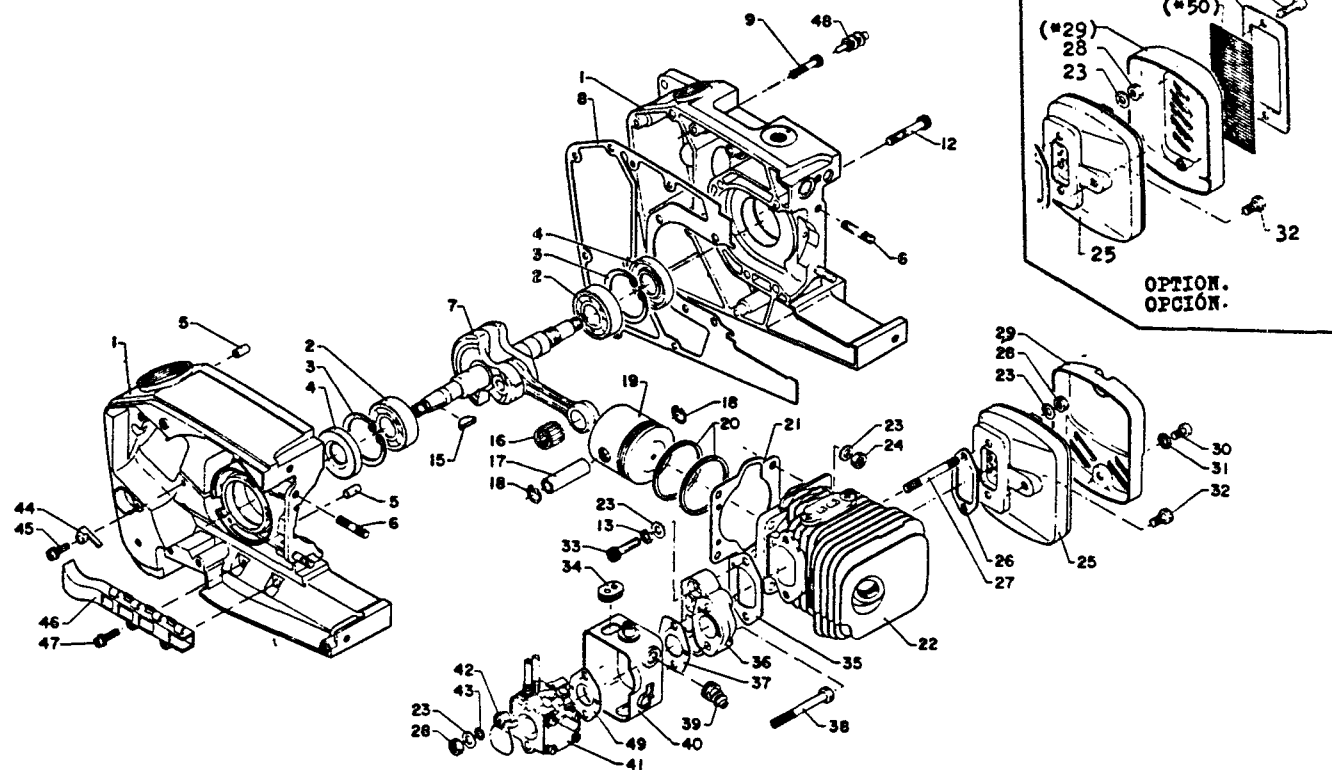
PARTS CATALOGUE

**ECHO
CHAIN SAW
CS-452VL**



Parts Catalogue

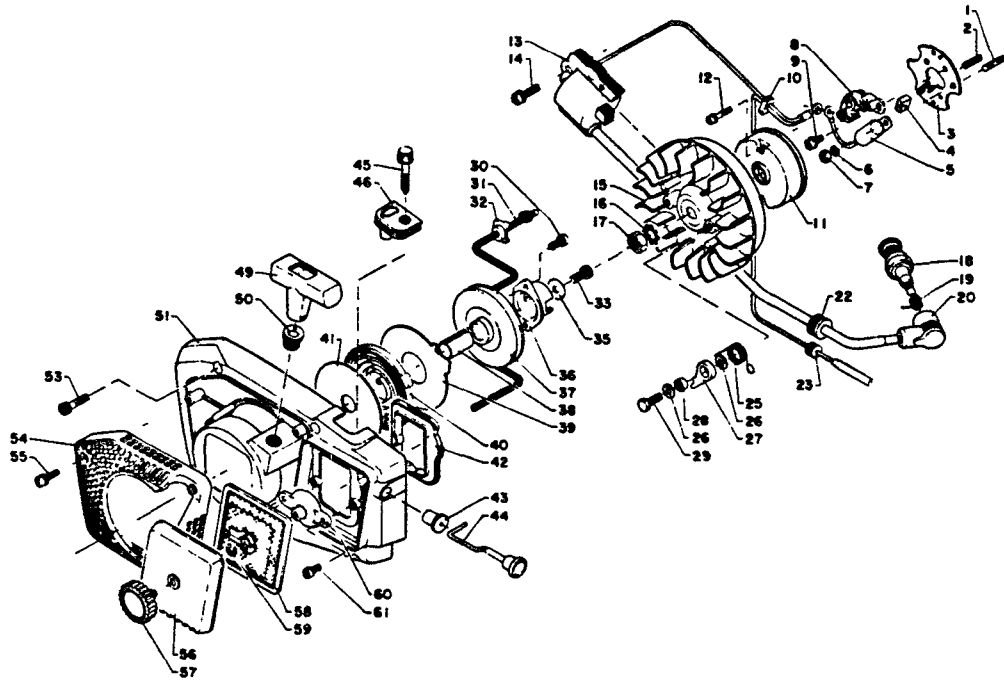
Model CS-452VL (1) Engine



Key No.	Part No.	Q'ty	Part Name	Key No.	Part No.	Q'ty	Part Name
1 -	100 200-1013 1	1	Crankcase set	1 -	900 220-0501 6	2	Screw
2	900 810-0620 2	2	Ball bearing	31	900 610-0000 5	2	Washer (TWA-5)
3	900 702-0003 5	2	Circlip (CR-35)	32	900 100-0501 0	1	Bolt 5x10
4	100 213-0283 0	2	Oilseal (ISM 15356)	33	900 105-0502 0	2	Bolt 5x20
5	100 215-0283 0	2	Knock pin	34	129 010-0343 0	1	Grommet
6	100 214-0083 0	4	Cylinder stud	35	130 010-0343 1	1	Carburetor packing (A)
7	100 100-0343 0	1	Crankshaft	36	130 005-0343 4	1	Carburetor bed
8	100 242-1013 0	1	Crankcase packing	37	130 016-0343 0	1	Carburetor packing (B)
9	900 162-0402 0	8	Bolt 4x20	38	130 021-0343 0	2	Carburetor bolt
12	900 162-0503 0	4	Bolt 5x30	39	178 210-0343 0	1	Rubber bush
15	100 142-0031 0	1	Key (M)	40	130 306-0343 1	1	Carburetor case
16	100 012-1233 0	1	Roller bearing	41	123 000-1013 0	1	Carburetor
17	100 013-0343 0	1	Piston pin	42	178 515-0343 0	1	Choke shutter
18	100 015-0012 0	2	End ring	43	178 516-0083 0	1	Washer
19	100 010-1013 0	1	Piston	44	159 112-1013 0	1	Clip
20	100 011-0343 0	2	Piston ring	45	900 242-0401 0	1	Screw
21	101 010-0343 0	1	Cylinder packing	46	159 105-1013 0	1	Cord guide
22	101 000-1013 0	1	Cylinder (ass'y)	47	900 242-0401 4	1	Screw
23	900 600-0000 5	4	Washer	48	100 278-1013 0	4	Dust proof plug
24	900 500-0000 5	4	Nut	49	130 022-1013 0	1	Carburetor packing (C)
25	145 605-0343 2	1	Muffler (ass'y)	(*29)	145 861-0343 0	1	Muffler lid
26	145 510-0343 0	1	Muffler gasket	(*50)	145 862-0343 1	1	Spark arresting screen
27	101 025-0343 0	2	Muffler stud	(*51)	145 863-0343 1	1	Screen retainer
28	433 020-0083 0	4	Lock nut	(*52)	900 220-0501 6	2	Screw
29	145 613-0343 1	1	Muffler lid				

Remarks:

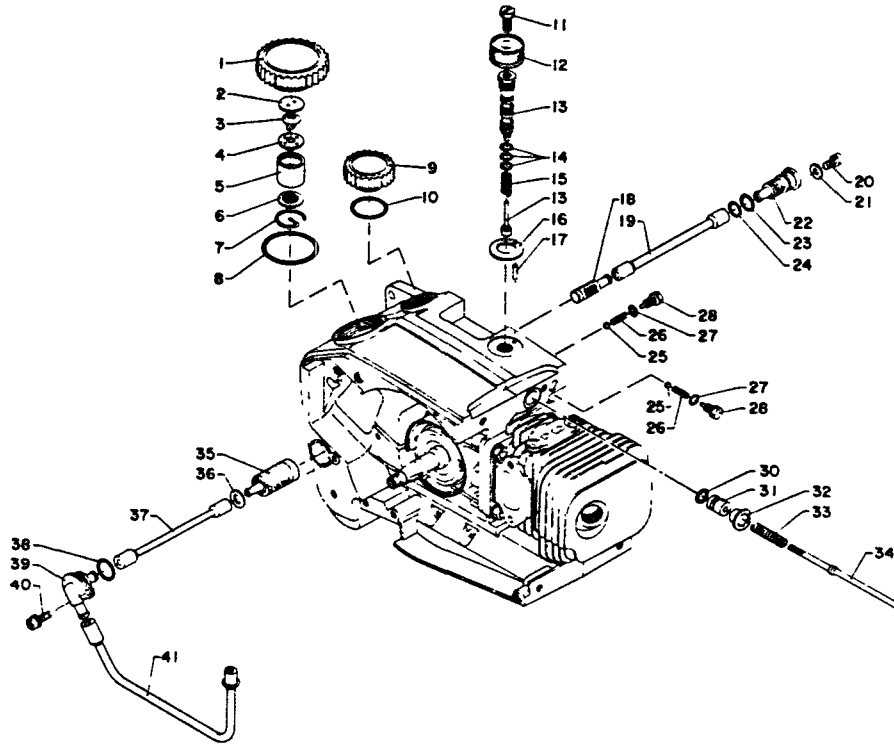
(*29)-(*50)-(*51) & (*52) Spark arresting parts (Option)



Key No.	Part No.	Q'ty	Part Name	Key No.	Part No.	Q'ty	Part Name
2 -	156 000-1013 1	1	Magneto ass'y	2 - 31	177 226-0283 0	1	Starter rope
1	100 262-0343 0	1	Stud bolt, (L)	32	177 246-0283 2	1	Starter clip
2	100 257-0343 0	1	Stud bolt, (S)	33	900 162-0501 4	1	Bolt 5x14
3	156 132-1013 1	1	Stator plate	35	177 214-0283 0	1	Washer
4	156 134-1013 0	1	Oiler	36	177 243-0283 3	1	Pawlcatcher
5	156 127-1013 0	1	Condenser	37	177 215-0283 4	1	Recoil drum
6	900 605-0000 4	2	Spring washer	38	177 216-0283 2	1	Bushing
7	900 500-0000 4	2	Nut	39	177 242-0343 0	1	Side plate (B)
8	156 101-1013 1	1	Contact point	40	177 220-0283 4	1	Rewind spring
9	900 242-0400 8	1	Screw	41	177 221-0283 0	1	Side plate (A)
10	156 114-1013 0	1	Rubber bush (B)	42	130 320-0343 1	1	Carburetor cover packing
11	154 112-0343 2	1	Breaker cover	43	178 810-0343 0	1	Rubber bushing
12	900 242-0301 8	2	Screw	44	178 501-0343 1	1	Choke rod
13	156 126-1013 0	1	Ignition coil	45	178 007-0343 0	1	Idling set screw
14	900 242-0502 0	2	Screw	46	178 212-0343 0	1	Grommet
15	156 200-1013 0	1	Flywheel	49	177 228-1233 0	1	Starter grip
16	900 611-0000 8	1	Lock washer (TWB-8)	50	177 227-0023 0	1	Rope guide
17	900 500-0000 8	1	Nut	51	101 507-1013 0	1	Fan cover
18	159 010-0033 0	1	Spark plug (BM-6A)	53	900 162-0502 0	4	Bolt 5x20
(*18)	159 010-1013 0	1	Spark plug (BMR-6A)	54	100 616-1013 0	1	Dust filter
19	159 011-0343 2	1	Spark plug connector	55	900 242-0401 2	3	Screw
20	159 012-0343 3	1	Spark plug cap	56	130 313-0343 0	1	Air cleaner cover
22	154 110-0343 0	1	Rubber bush	57	130 406-1023 0	1	Thumb bolt
23	154 111-0343 0	1	Rubber bush	58	130 305-0343 0	1	Air cleaner
25	177 234-0283 1	2	Ratchet spring	59	900 700-0000 4	1	E-ring
26	900 600-0000 5	4	Washer	60	130 405-0343 0	1	Cleaner set plate
27	177 218-0283 0	2	Ratchet	61	900 242-0400 8	2	Screw
28	177 217-0343 0	2	Ratchet spacer		177 200-1013 0	1	Starter ass'y
29	900 100-0501 8	2	Bolt 5x18	62	177 229-1433 0	1	Spacer
30	900 241-0401 0	2	Screw				

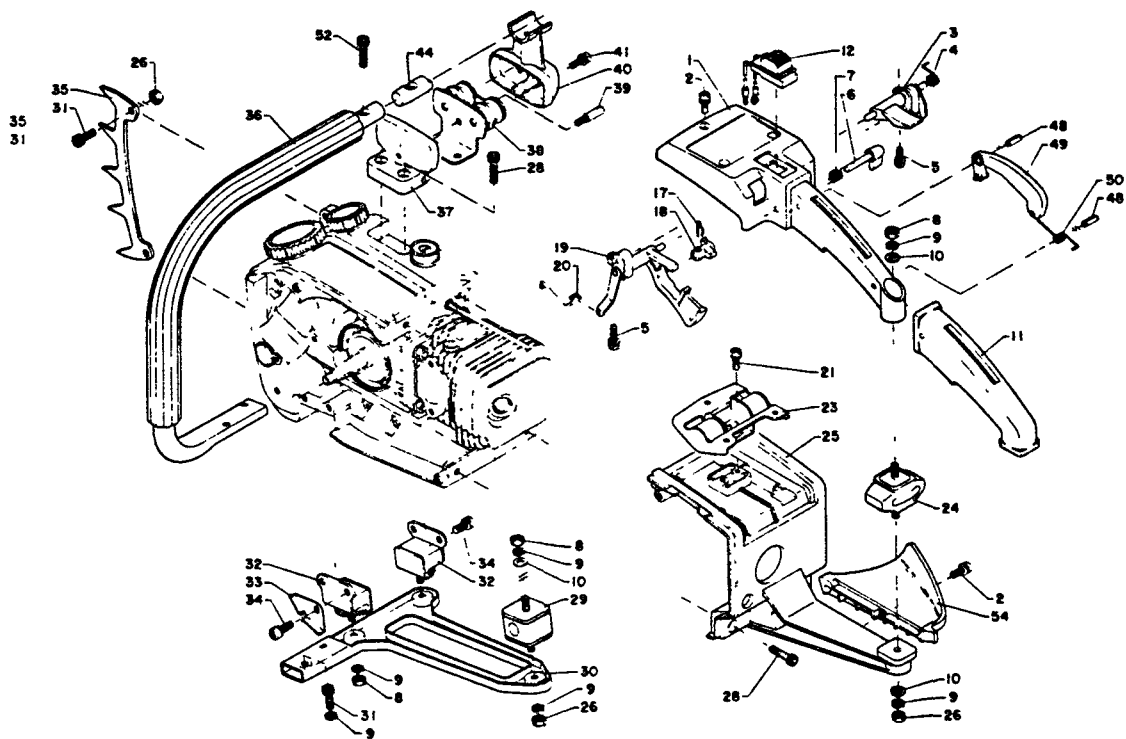
Remarks:

(*18) Anti Radio Interference spark plug (option part)



Key No.	Part No.	Q'ty	Part Name	Key No.	Part No.	Q'ty	Part Name	
3 -	1	1	Fuel tank cap ass'y	3 -	26	437 013-0033 0	3	Valve spring
	2	1	Spacer		27	437 122-0343 0	2	O-ring
	3	1	Check valve		28	437 121-1013 0	2	Oil pump adapter
	4	1	Check valve holder		30	900 720-0000 6	1	O-ring (P-6)
	5	1	Supporter, tank cap spacer		31	707 015-1023 0	1	Pump piston
6	131 035-0343 1	1	Filter	32	707 022-0343 1	1	Spring retainer	
7	131 032-0393 0	1	Chp	33	437 111-0343 1	1	Pump spring	
8	900 720-0002 9	1	O-ring (P-29)	34	707 000-1013 0	1	Pump rod	
9	436 000-0393 0	1	Oil tank cap	35	131 200-0523 0	1	Fuel strainer	
10	900 720-0001 6	1	O-ring	36	900 600-0000 6	1	Washer	
11	900 220-0501 4	1	Screw	37	132 010-1053 0	1	Fuel pipe (inner)	
12	437 039-0343 0	1	Dial	38	900 720-0001 2	1	O-ring (P-12)	
13	437 002-0343 1	1	Cylinder & Plunger	39	132 011-0283 2	1	Fuel pipe connector	
14	437 020-0283 0	3	O-ring (S-5)	40	900 242-0401 4	1	Screw	
15	437 019-0283 0	1	Auto oiler spring	41	13201210131	1	Pipe, Outer	
16	437 036-0343 0	1	Flat spring	Remarks: Key No. 3-1 Comprising Key No. 2 ~ 7				
17	900 330-1509 8	1	Needle roller					
18	436 205-0283 2	1	Oil straner					
19	132 010-0343 1	1	Oil inner pipe					
20	900 242-0401 0	1	Screw					
21	437 232-1013 0	1	Washer					
22	437 212-1013 0	1	Oil pipe connector					
23	900 720-0000 9	1	O-ring (P-9)					
24	900 720-0000 8	1	O-ring (P-8)					
25	437 012-0033 0	3	Ball valve					

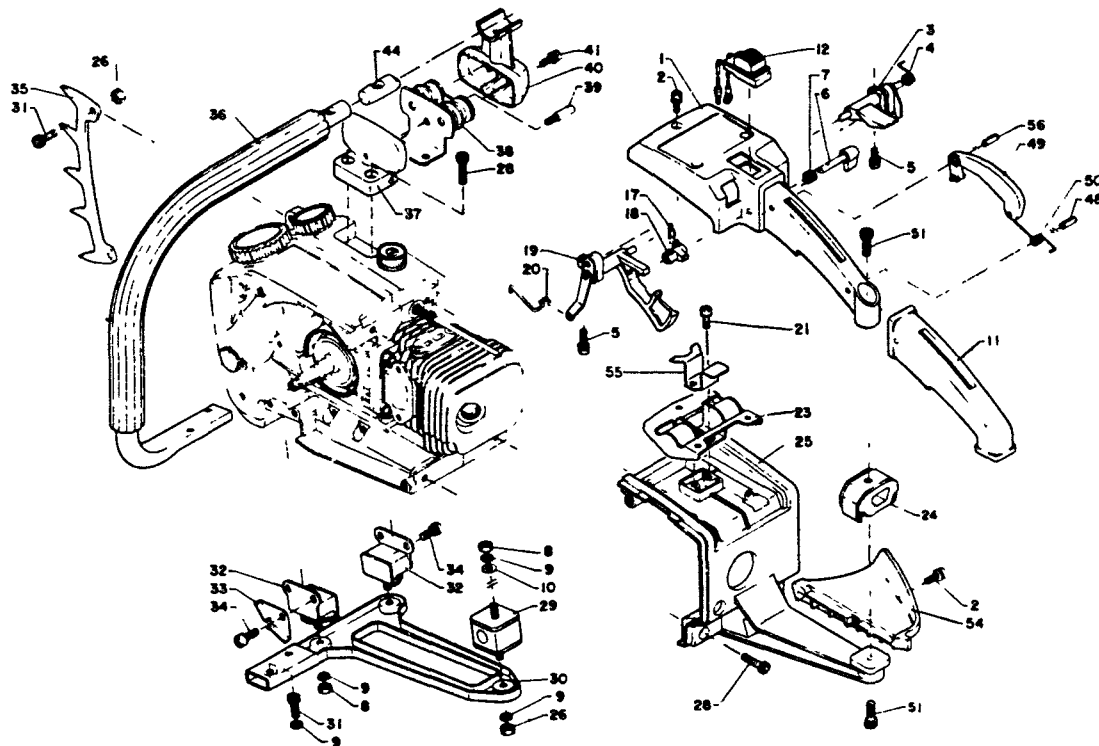
Model CS-452VL (4) Handle
 For saws with Serial No. 0-0230441



Key No.	Part No.	Q'ty	Part Name	Key No.	Part No.	Q'ty	Part Name		
4 -	1	351 110-1103 0	1	Right handle	4 -	32	351 607-0343 0	2	Cushion rubber (L-L)
	2	900 242-0401 4	3	Screw	33	100 276-1013 0	1	Wind proof plate	
	3	707 005-0343 0	1	Push lever	34	900 241-0501 2	4	Screw	
	4	707 017-0343 0	1	Spring, push lever	35	880 210-0343 0	1	Spike bumper	
	5	900 242-0401 4	2	Screw	36	351 606-1013 1	1	Left handle	
6	178 008-0343 0	1	Lock lever	37	351 631-1013 0	1	Cushion rubber holder		
7	178 013-0343 0	1	Throttle spring	38	351 605-1013 0	1	Cushion rubber (L-U)		
8	900 500-0000 5	1	Nut	39	351 637-1013 0	1	Stopper		
10	900 600-0000 5	2	Washer	40	351 614-1013 0	1	Left handle supporter		
11	351 111-1103 0	1	Right handle rubber	41	900 242-0401 0	2	Screw		
12	163 400-1233 0	1	Stop switch	44	351 617-1053 1	1	Handle spacer		
17	178 045-1063 0	1	Lock pin	48	900 340-4001 3	2	Spring pin		
18	178 012-1103 0	1	Throttle lock	49	178 090-1103 1	1	Safety lock		
19	178 005-1103 0	1	Throttle trigger	50	178 091-1053 1	1	Safety lock spring		
20	178 011-0343 0	1	Throttle connecting rod	52	900 162-0502 5	1	Bolt 5x25		
21	900 241-0501 2	1	Screw	54	351 133-1013 0	1	Hand guard		
22	162 010-0343 1	1	Earth cord						
23	351 105-1013 0	1	Cushion rubber (F-L)						
24	351 107-0343 0	1	Cushion rubber (R-L)						
25	101 514-1013 0	1	Cylinder cover						
26	433 022-0283 0	2	Lock nut						
28	900 162-0502 0	6	Bolt 5x20						
29	351 609-0343 0	1	Cushion rubber (L-L)						
30	351 613-0343 1	1	Left handle supporter (L)						
31	900 105-0501 2	2	Bolt 5x12						

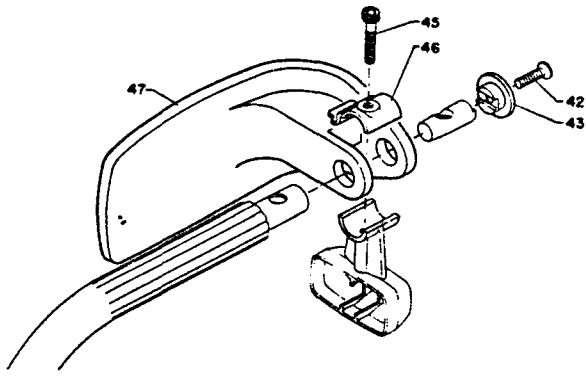
Model CS-452VL (4) Handle

For saws with Serial No. 0230442 and up.



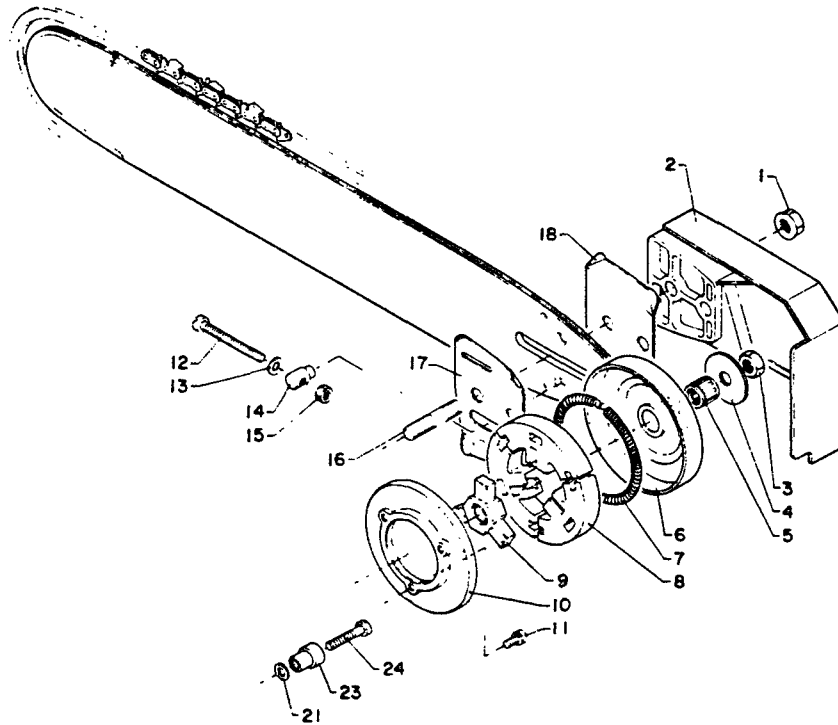
Key No.	Part No.	Q'ty	Part Name	Key No.	Part No.	Q'ty	Part Name		
4 -	1	351 110-1013 0	1	Rear handle	4 -	32	351 607-0343 0	2	Cushion (L-L)
	2	900 242-0401 4	3	Screw		33	100 276-1013 0	1	Wind proof plate
	3	707 005-1013 0	1	Push lever		34	900 241-0501 2	4	Screw
	4	707 017-0343 0	1	Spring, push lever		35	880 210-0343 0	1	Spike
	5	900 242-0401 4	2	Screw		36	351 509-1013 0	1	Front handle
	6	178 008-0343 0	1	Lock lever		37	351 631-1013 0	1	Holder
	7	178 013-0343 0	1	Throttle spring		38	351 605-1013 0	1	Cushion (L-U)
	8	900 500-0000 5	1	Nut		39	351 637-1013 0	1	Stopper
	9	900 605-0000 5	6	Spring washer 5		40	351 614-1013 0	1	Supporter
	10	900 600-0000 5	2	Washer		41	900 242-0401 0	2	Screw
	11	351 111-1013 0	1	Grip		44	351 617-1053 1	1	Handle spacer
	12	163 400-1233 0	1	Stop switch		48	900 340-4001 3	1	Spring pin
	17	178 045-1063 0	1	Lock pin		49	178 090-1273 0	1	Throttle control lockout
	18	178 012-1103 0	1	Throttle latch		50	178 091-1013 0	1	Spring
	19	178 306-1013 0	1	Throttle trigger		51	900 162-0501 4	2	H.S.H.bolt 5 x 14
	20	178 011-0343 0	1	Throttle connecting rod		54	351 133-1013 0	1	Hand guard, rear
	21	900 241-0501 2	1	Screw		55	351 126-1013 0	1	Stopper, cushion
	23	351 105-1013 0	1	Cushion (F-L)		56	900 340-4001 6	1	Spring pin
	24	351 107-1013 0	1	Cushion (R-L)					
	25	101 514-1013 0	1	Cylinder cover					
	26	433 022-0283 0	2	Lock nut					
	28	900 162-0502 0	6	Bolt 5x20					
	29	351 609-0343 0	1	Cushion (L-L)					
	30	351 613-0343 1	1	Supporter (L)					
	31	900 105-0501 2	2	Bolt 5x12					

Model CS-452VL (4) Handle (Hand guard)



Key No.	Part No.	Q'ty	Part Name
4 -	42	900 214-0502 0	1 Screw
	43	351 833-1013 0	1 Hand guard holder
	45	900 162-0503 0	1 Bolt 5x30
	46	351 834-1013 0	1 Hand guard stopper
	47	351 826-1013 0	1 Hand guard

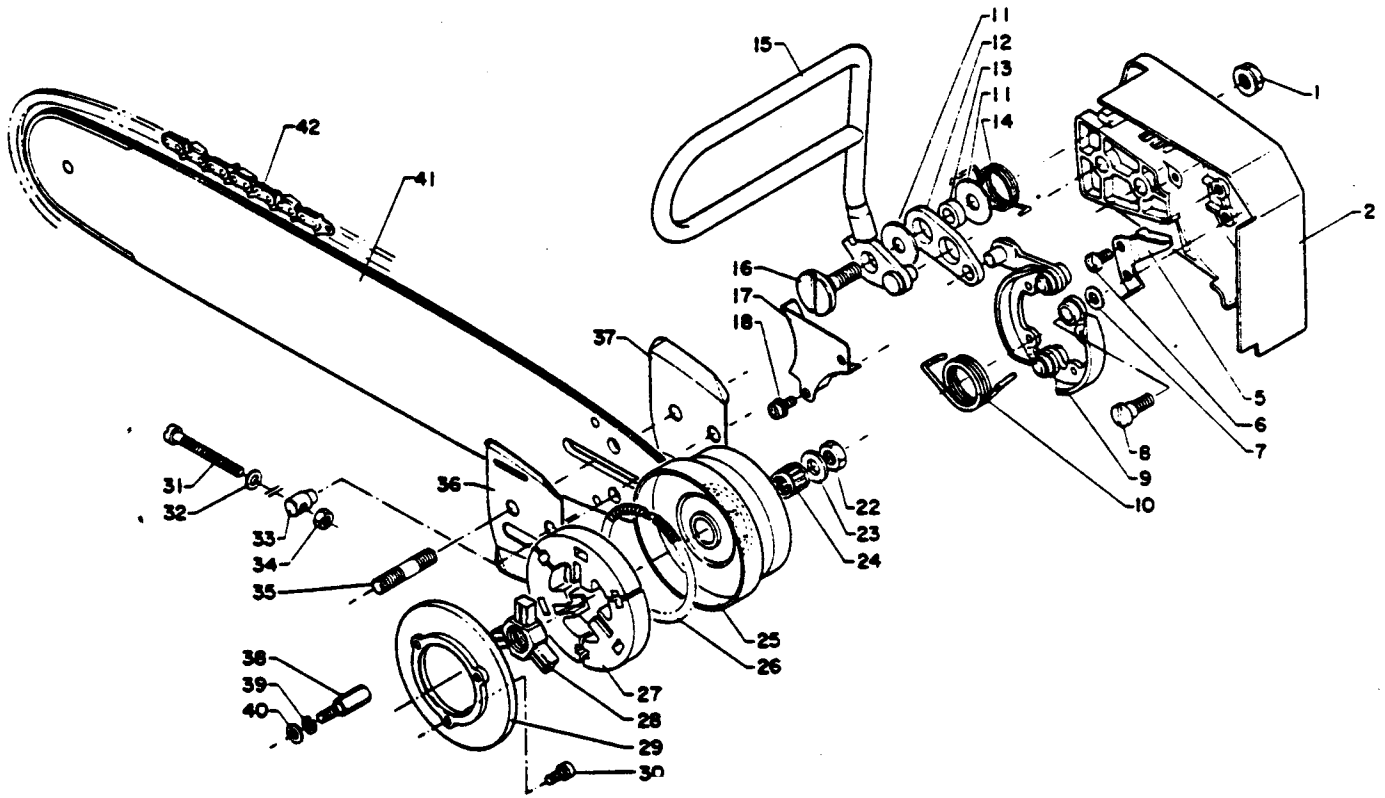
(5) Clutch and Guide bar



Key No.	Part No.	Q'ty	Part Name	Key No.	Part No.	Q'ty	Part Name
5 -	1	433 019-1233 0	2 Flange nut	5 -	16	433 011-1233 0	2 Stud bolt
	2	433 010-0343 1	1 Guide bar cover		17	433 013-1233 1	1 Side plate (inner)
	3	100 129-0343 0	1 Locknut (L-h)		18	433 012-1233 1	1 Side plate (outer)
	4	175 015-0343 0	1 Clutch washer	21	900 600-0000 5	1 Washer	
	5	100 012-1233 0	1 Roller bearing		23	433 006-1283 0	1 Chain catcher
6	175 005-1103 0	1 Clutch case	24		900 220-0502 5	1 Screw	
7	175 018-0283 1	1 Clutch spring					
8	175 017-0283 0	3 Clutch shoe					
9	175 016-0343 0	1 Clutch boss					
10	100 618-0343 1	1 Dust seal plate					
11	900 220-0401 0	3 Screw					
12	433 016-0283 0	1 Adjusting screw					
13	100 247-0283 0	1 Washer					
14	433 014-0283 0	1 Tensioner					
15	433 022-0283 0	1 Lock nut (5mm)					

Remarks: Key No. 19.20 (optional)

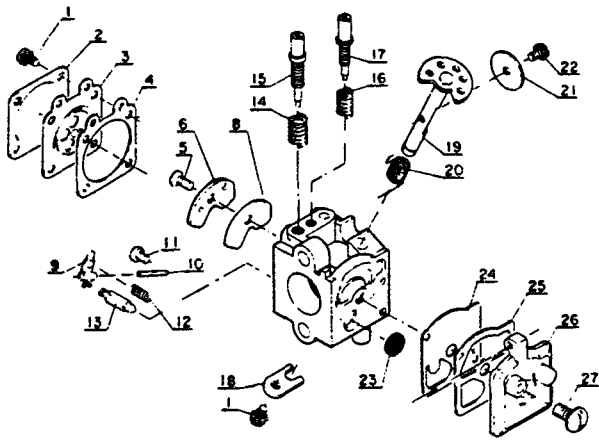
Model CS-452VL (5-1) CHAIN BRAKE



Key No.	Part No.	Q'ty	Part Name
5-1-	433 019-0033 0	2	Flange nut
	433 100-1013 0	1	Chain brake ass'y
	*433 110-1013 0	1	Guide bar cover
	*433 131-0393 0	1	Brake shoe guide
	*900 220-0500 8	2	Screw
	7	*900 600-0000 6	1
8	*433 130-0393 0	1	Screw
9	*433 101-1013 0	1	Brake shoe
10	*433 122-0393 0	1	Brake spring
11	*433 115-0393 0	2	Brake handle washer
12	*433 117-0393 0	1	Connector
13	*433 116-0393 0	1	Brake handle spacer
14	*433 114-0393 0	1	Return spring
15	*433 105-1013 0	1	Brake handle
16	*433 113-0393 0	1	Screw
17	*433 310-1013 0	1	Dust seal
18	*900 242-0401 0	2	Screw
22	100 129-0343 0	1	Nut
23	175 214-1013 0	1	Clutch case washer
24	100 012-0031 0	1	Roller bearing

Key No.	Part No.	Q'ty	Part Name
25	175 205-1013 0	1	Clutch case
	175 000-0343 0	1	Clutch ass'y
26	*175 018-0283 1	1	Clutch spring
27	*175 017-0283 0	3	Clutch shoe
28	*175 016-0343 0	1	Clutch boss
29	100 618-0343 1	1	Dust seal plate
30	900 220-0401 0	3	Screw
31	433 016-0283 0	1	Adjusting screw
32	100 247-0283 0	1	Washer
33	433 014-0283 0	1	Tensioner
34	433 022-0283 0	1	Lock nut
35	433 011-0033 0	2	Guide bar stud bolt
36	433 013-0283 0	1	Side plate (Inner)
37	433 012-0283 0	1	Side plate (Outer)
38	433 026-1103 0	1	Chain catcher
39	900 605-0000 5	1	Spring washer
40	900 600-0000 5	1	Washer
41	430 211-0023 0	1	Guide bar, 16K50
	430 211-1013 0	1	Guide bar, 40M50
42	431 011-0023 0	1	Saw chain, 72D-59E
	431 011-1013 0	1	Saw chain, 72LP-60E

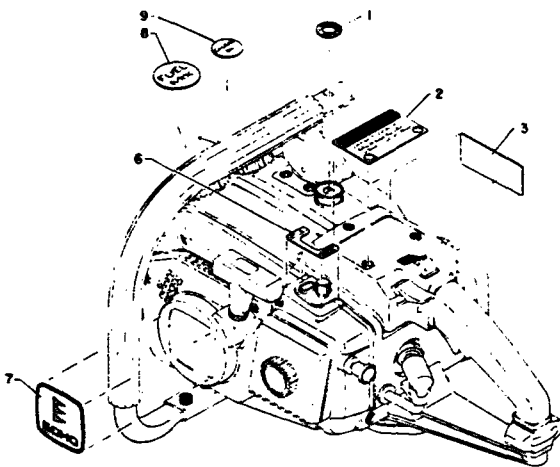
Model CS-452VL (6) Carburetor



Key No.	Part No.	Q'ty	Part Name
6 -	123 000-1013 0	1	Carburetor ass'y
1	•123 144-0393 0	5	Screw
2	•123 142-0393 0	1	Metering diaphragm cover
3	•123 141-0393 0	1	Metering diaphragm
4	•123 140-0393 0	1	Metering diaphragm gasket

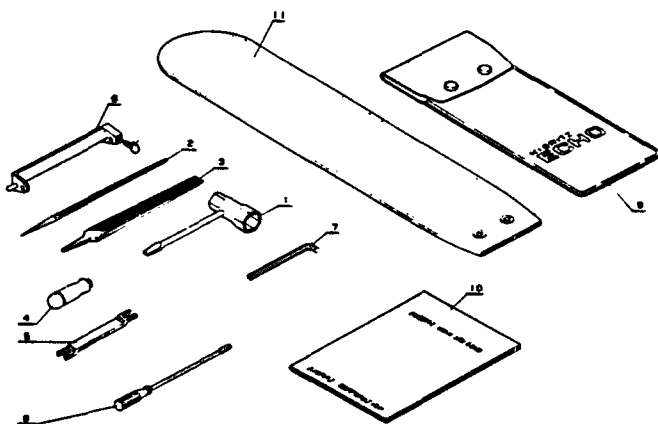
Key No.	Part No.	Q'ty	Part Name
5	•123 167-0523 0	1	Circuit plate screw
6	•123 166-1053 0	1	Circuit plate
8	•123 164-1053 0	1	Circuit plate gasket
9	•123 123-0393 0	1	Metering lever
10	•123 138-0393 0	1	Metering lever pin
11	•123 139-0393 0	1	Metering lever pin screw
12	•123 122-0653 0	1	Metering lever spring
13	•123 137-0393 0	1	Inlet needle valve
14	•123 119-0393 0	1	H.S. adjust spring
15	•123 120-1013 0	1	High speed needle
16	•123 121-0393 0	1	Idle needle adjust spring
17	•123 118-1013 0	1	Idle needle
18	•123 127-0393 0	1	Throttle shaft clip
19	•123 117-1013 0	1	Throttle shaft
20	•123 113-1013 0	1	Throttle return spring
21	•123 116-1013 0	1	Throttle valve
22	•123 114-0393 0	1	Shutter screw
23	•123 126-0393 0	1	Inlet screen
24	•123 112-0393 0	1	Pump diaphragm
25	•123 125-0393 0	1	Pump gasket
26	•123 124-1013 0	1	Pump cover
27	•123 110-0393 0	1	Pump cover screw

(7) Model plate



Key No.	Part No.	Q'ty	Part Name
7 -	1 890 022-0343 0	1	Oil label
2	890 151-1013 0	1	Caution label
3	890 021-0393 1	1	"ECHO" Name plate
6	890 041-0343 0	1	Fuel adjust label
7	890 012-1013 2	1	Name plate
8	890 147-1023 0	1	Fuel label
9	890 153-0393 0	1	Oil label

(8) Tools



Key No.	Part No.	Q'ty	Part Name
8 -	896 000-1013 0	1	Tool set
1	895 410-0283 0	1	Wrench 13x19
2	897 510-0023 0	1	Round file
3	897 511-0023 0	1	Flat file
4	897 512-0023 0	1	File grip
5	897 514-0023 1	1	Depth gauge
6	897 600-0033 0	1	File holder
7	895 610-0013 0	1	L-wrench (4mm)
8	895 811-0013 0	1	Screw driver (125mm)
9	898 510-0283 0	1	Tool bag
10		1	Instruction manual
11	898 513-1013 0	1	Chain cover

Remarks:

* Key No. 1.7.8.9.10. are standard tools supplied with the chain saw.
Others are optional parts, to be supplied on special order.