

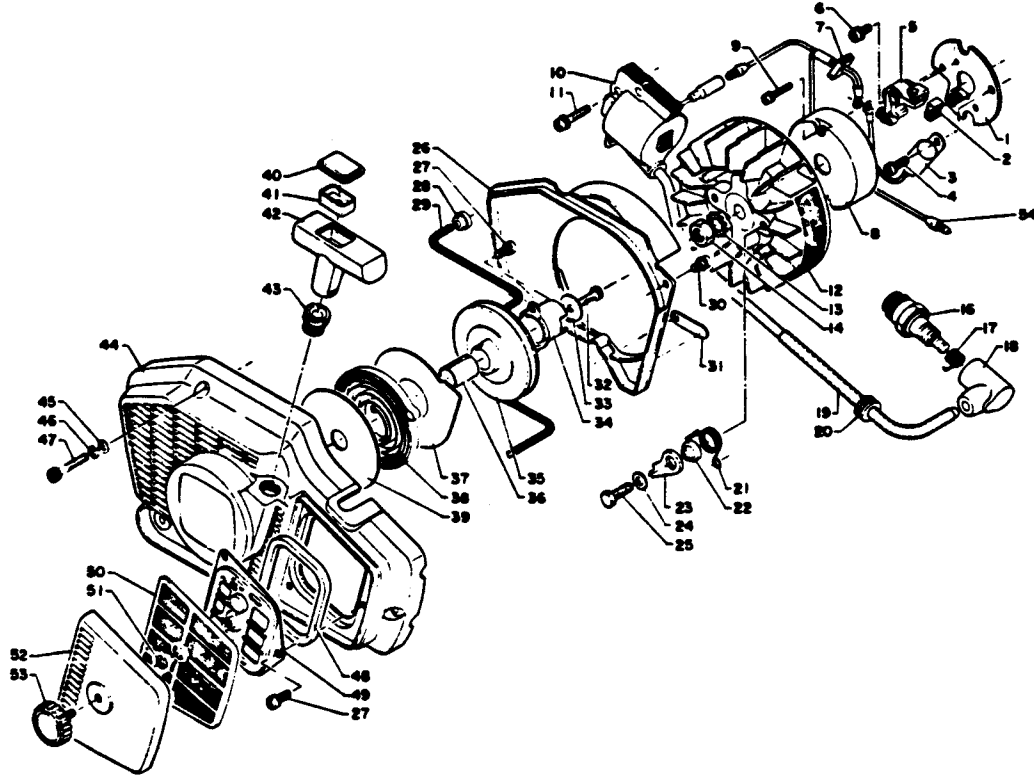


**CHAIN SAW  
PARTS CATALOG  
MODEL CS-351VL  
SERIAL NUMBER 001001 & UP**

**ECHO, INCORPORATED  
400 OAKWOOD ROAD  
LAKE ZURICH, IL 60047**

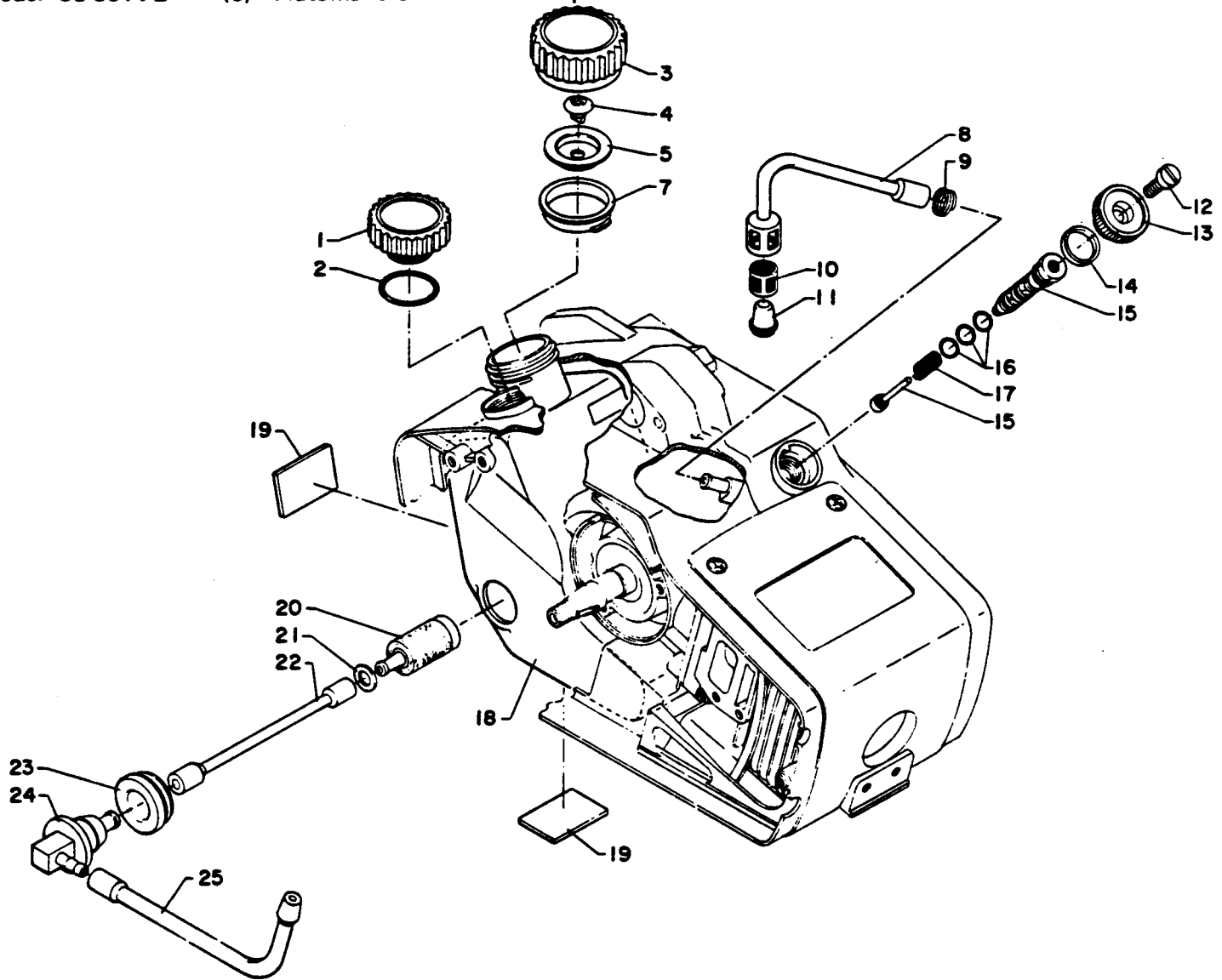
**89859910538  
01/92**

Model CS-351VL (2) Starter and Magneto



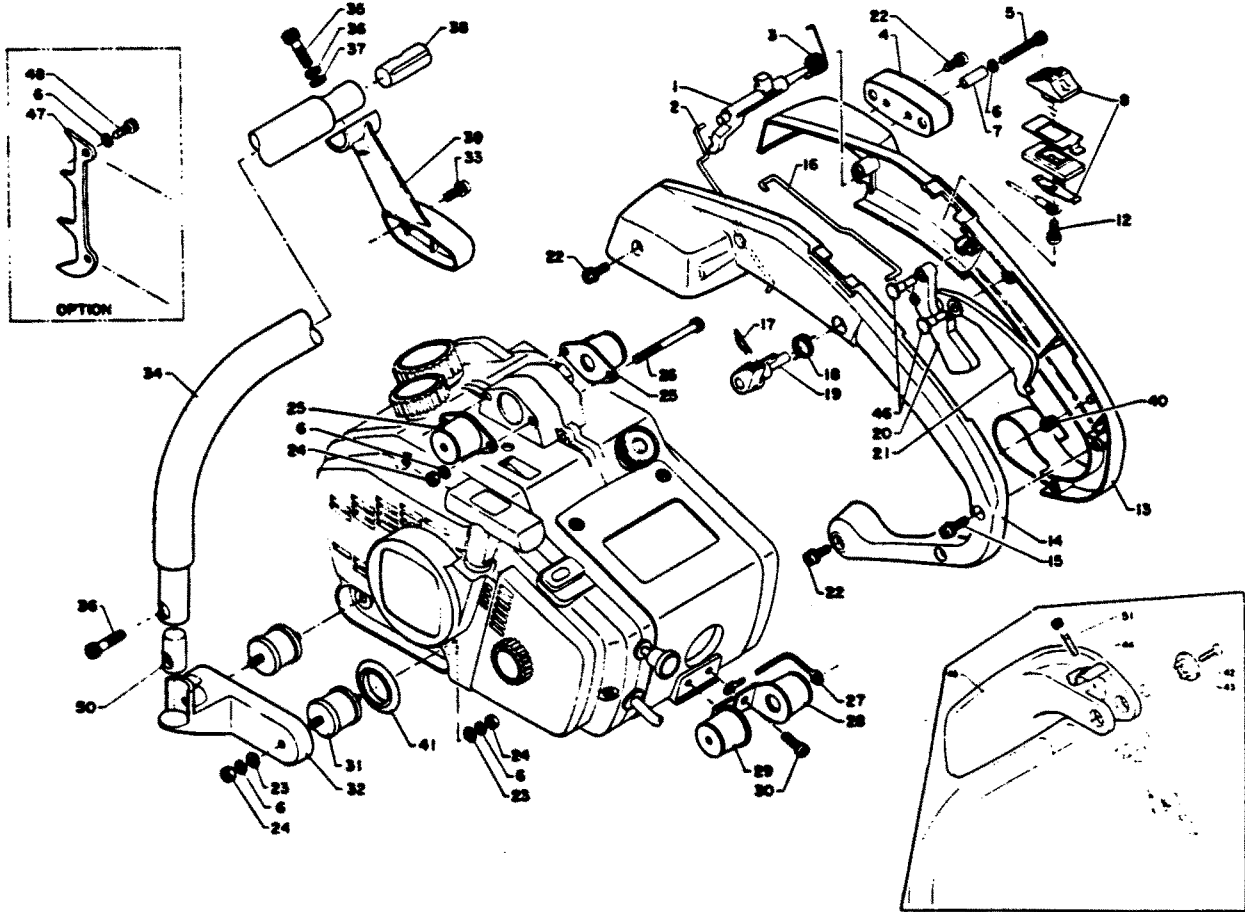
| Key No. | Part No.        | Q'ty | Part Name          | Key No.   | Part No.        | Q'ty | Part Name                |
|---------|-----------------|------|--------------------|---|-----------------|------|--------------------------|
| 1       | 150 132-0393 0  | 1    | Stator plate       | 2- 32   | -900 162-0401 4 | 1    | Bolt (4 x 14)            |
| -2      | 150 134-0393 0  | 1    | Oiler              | 33  | -177 214-0393 0 | 1    | Washer                   |
| 3       | 150 127-0393 0  | 1    | Condenser          | 34  | -177 243-0393 0 | 1    | Pawl catcher             |
| 4       | 900 241-0401 0  | 1    | Screw              | 35  | -177 215-0393 0 | 1    | Recoil drum              |
|         |                 |      |                    | 36  | -177 216-0393 0 | 1    | Bush, recoil             |
| 5       | 150 101-0393 0  | 1    | Contact point set  | 37  | -177 242-1053 0 | 1    | Side plate (B)           |
| 6       | 900 242-0401 0  | 1    | Screw              | 38  | -177 220-0393 0 | 1    | Spring rewind            |
| 8       | 154 112-0343 0  | 1    | Breaker cover      | 39  | -177 221-0393 0 | 1    | Side plate (A)           |
| 9       | 900 220-0302 5  | 2    | Screw              | 40  | -177 244-0283 0 | 1    | Handle cap, recoil       |
| 10      | 150 120-1053 1  | 1    | Ignition-coil      | 41  | -177 229-0283 0 | 1    | End piece, recoil        |
| 11      | 900 242-0402 0  | 2    | Screw              | 42  | -177 228-0283 0 | 1    | Handle, recoil           |
| 19      | 150 111-1053 0  | 1    | Cover pipe         | 43  | -177 227-0023 0 | 1    | Rope guide, recoil       |
| 12      | 150 200-0393 1  | 1    | Fly wheel          | 44  | -101 507-1053 0 | 1    | Fan cover                |
| 13      | 900 611-0000 8  | 1    | Washer             | 47  | 900 162-0402 5  | 3    | Bolt (4 x 25)            |
| 14      | 900 500-0000 8  | 1    | Nut                | 48  | 130 320-1053 0  | 1    | Packing carburetor cover |
| 16      | 159 010-0033 0  | 1    | Spark plug         | 49  | 129 006-1053 1  | 1    | Plate                    |
| (*16)   | 159 010-1013 0  | 1    | Spark plug         | 50  | 130 310-1053 0  | 1    | Air filter               |
| 17      | 159 011-0343 2  | 1    | Coil, spark plug   | 51  | 900 700-0000 3  | 1    | Circlip                  |
| 18      | 159 012-0343 3  | 1    | Cap, spark plug    | 52  | 130 313-1053 0  | 1    | Cover, air cleaner       |
| 20      | 150 112-0031 0  | 1    | Rubber bush        | 53  | 130 406-0393 0  | 1    | Thumb nut                |
| 21      | 177 234-0393 1  | 2    | Spring, ratchet    | 30  | 900 242-0400 8  | 2    | Screw                    |
| 22      | 177 247-0393 2  | 2    | Spacer, ratchet    | 31  | 101 540-1053 0  | 2    | Guide plate holder       |
| 23      | 177 218-0393 0  | 2    | Ratchet, recoil    | 54  | 150 133-1053 0  | 1    | Lead wire                |
| 24      | 900 602-0000 5  | 2    | Washer             |   |                 |      |                          |
| 25      | 900 100-0501 6  | 2    | Bolt               |   |                 |      |                          |
| 26      | 101 534-1053 1  | 1    | Guide plate        | <b>Remarks:</b><br>(*16) Anti-Radio Interference Spark plug Option. |                 |      |                          |
|         | 177 200-1053 0  | 1    | Starter ass'y      |   |                 |      |                          |
| 27      | -900 241-0400 8 | 2    | Screw              |   |                 |      |                          |
| 28      | -177 246-0393 0 | 1    | Clip, starter rope |   |                 |      |                          |
| 29      | -177 226-0393 0 | 1    | Starter rope       |   |                 |      |                          |

Model CS-351VL (3) Automatic Oiler and Fuel Pipe



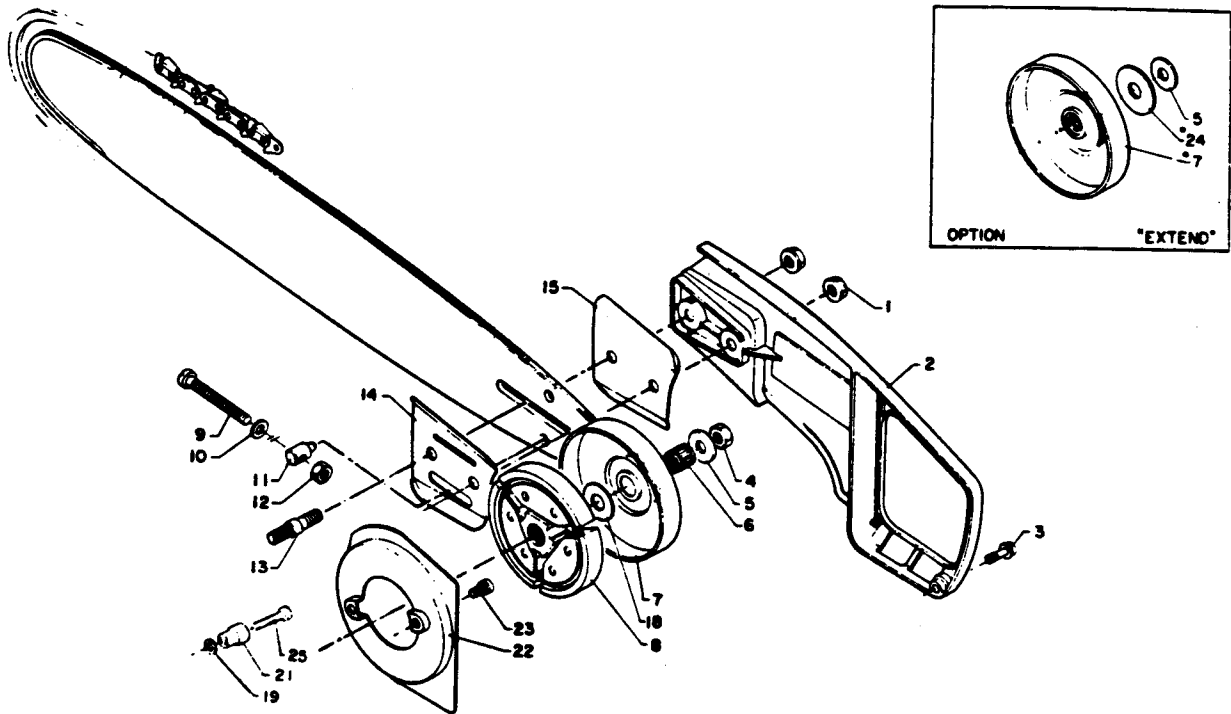
| Key No. | Part No.       | Q'ty | Part Name                       | Key No. | Part No.       | Q'ty | Part Name             |
|---------|----------------|------|---------------------------------|---------|----------------|------|-----------------------|
| 3       | 436 000-0393 0 | 1    | Cap, oil tank                   | 3       | 437 020-0283 0 | 3    | O-ring (S-5)          |
| 2       | 900 720-0001 6 | 1    | O-ring                          | 27      | 437 019-0283 0 | 1    | Spring, auto.-oiler   |
| 3       | 131 017-0493 0 | 1    | Cap, fuel tank                  | 18      | 131 010-1053 0 | 1    | Fuel tank             |
| 4       | 131 314-0033 0 | 1    | Check valve                     | 19      | 131 924-0493 0 | 4    | Fitting rubber        |
| 5       | 131 015-0493 1 | 1    | Check valve holder              | 20      | 131 200-0523 0 | 1    | Fuel strainer (Ass'y) |
| 7       | 131 038-0493 0 | 1    | Packing                         | 21      | 900 600-0000 6 | 1    | Washer                |
| 8       | 437 210-1053 0 | 1    | Oil inner pipe                  | 22      | 437 210-1063 1 | 1    | Fuel pipe (Inner)     |
| 9       | 437 221-1053 0 | 1    | Clip                            | 23      | 132 019-0493 1 | 1    | Connector rubber      |
| 10      | 436 210-1053 0 | 1    | Oil strainer                    | 24      | 132 011-0493 1 | 1    | Fuel pipe connector   |
| 11      | 436 213-1053 0 | 1    | Strainer weight                 | 25      | 132 012-1053 0 | 1    | Fuel pipe (Outer)     |
| 12      | 900 220-0501 4 | 1    | Screw                           |         |                |      |                       |
| 13      | 437 039-1053 0 | 1    | Dial                            |         |                |      |                       |
| 14      | 437 036-1053 0 | 1    | Flat spring                     |         |                |      |                       |
| 15      | 437 002-0343 1 | 1    | Cylinder & plunger, auto.-oiler |         |                |      |                       |

Model CS-351VL (4) Handle

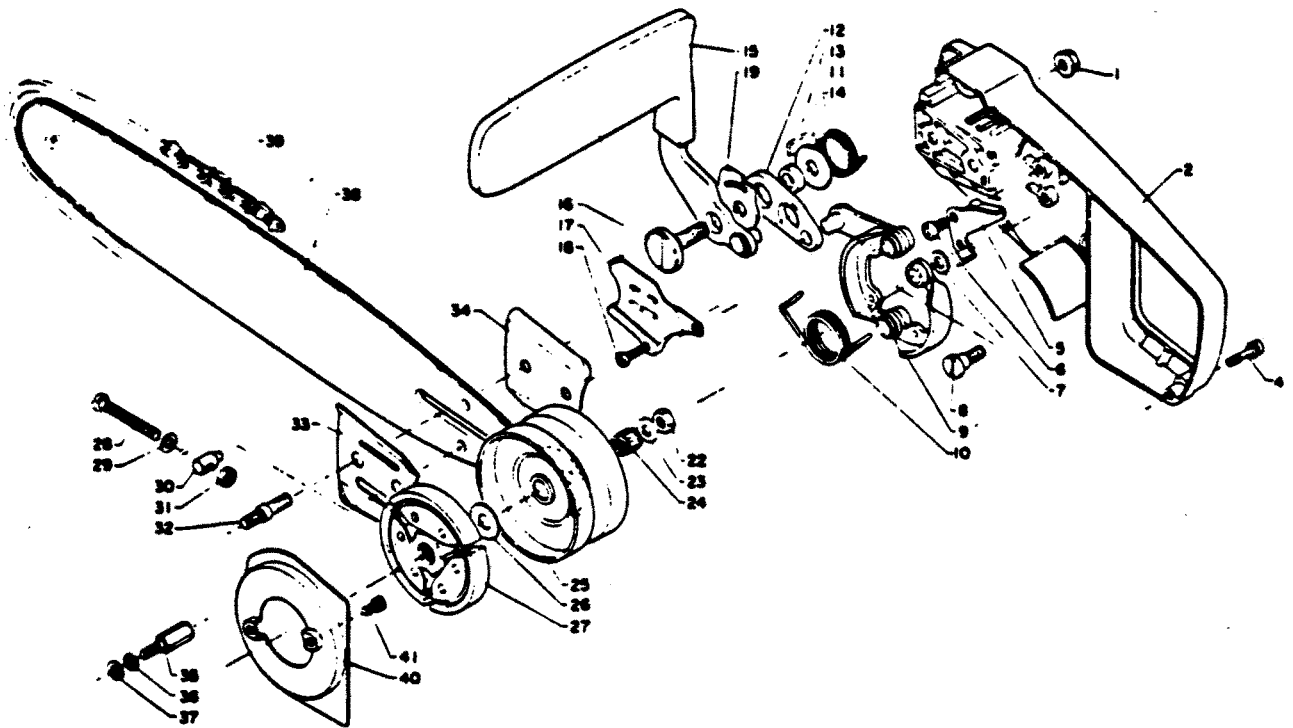


| Key No. | Part No.       | Q'ty | Part Name                      | Key No. | Part No.        | Q'ty | Part Name                 |
|---------|----------------|------|--------------------------------|---------|-----------------|------|---------------------------|
| 4-1     | 178 017-1053 0 | 1    | Throttle shaft                 | 4-30    | 900 241-0401 2  | 2    | Screw                     |
| 2       | 178 032-1053 1 | 1    | Throttle rod                   | 31      | 351 607-1003 0  | 2    | Cushion rubber (L-L)      |
| 3       | 178 043-1053 0 | 1    | Throttle spring                | 32      | 351 613-1053 0  | 1    | Left handle supporter (L) |
| 4       | 351 605-1053 0 | 1    | Cushion rubber (L-U)           | 33      | 900 242-0401 2  | 2    | Screw                     |
| 5       | 900 242-0403 0 | 1    | Screw                          | 34      | 351 606-1053 1  | 1    | Left handle               |
| 6       | 900 605-0000 4 | 6    | Spring washer                  | 38      | -351 617-1053 1 | 1    | Spacer                    |
| 7       | 351 637-1053 0 | 1    | Cushion rubber supporter (L-U) | 50      | -351 611-1053 0 | 1    | Spacer                    |
| 8       | 163 400-1053 0 | 1    | Stop switch                    | 35      | 900 162-0502 5  | 1    | Bolt (5 x 25)             |
| 13      | 351 100-1053 2 | 1    | Right handle                   | 36      | 900 162-0502 0  | 1    | Bolt (5 x 20)             |
| 15      | 900 242-0401 4 | 1    | Screw                          | 39      | 351 614-1053 0  | 1    | Left handle supporter (U) |
| 16      | 178 011-1053 0 | 1    | Throttle rod                   | 40      | 178 091-1053 1  | 1    | Safety lock spring        |
| 47      | 178 044-1053 0 | 1    | Lock pin                       | 41      | 351 638-1053 0  | 1    | Stopper                   |
| 18      | 178 013-1053 1 | 1    | Throttle lock spring           | 46      | 178 110-1053 0  | 2    | Trigger shaft             |
| 19      | 178 012-1053 0 | 1    | Throttle lock                  | 42      | 900 214-0502 0  | 1    | Screw                     |
| 20      | 178 010-1053 1 | 1    | Throttle lock lever            | 43      | 351 833-1013 0  | 1    | Fitting washer            |
| 21      | 178 090-1053 2 | 1    | Safety lock                    | 44      | 351 834-1053 0  | 1    | Stopper                   |
| 22      | 900 242-0401 0 | 3    | Screw                          | 45      | 351 826-1083 0  | 1    | Hand guard                |
| 23      | 900 600-0000 4 | 4    | Washer                         | 51      | 900 162-0503 0  | 1    | Bolt (5 x 30)             |
| 24      | 900 500-0000 4 | 6    | Nut                            | 47      | 880 210-1053 0  | 1    | Spike bumper              |
| 25      | 351 105-1053 1 | 2    | Cushion rubber (R-F)           | 48      | 900 105-0401 0  | 2    | Bolt                      |
| 26      | 900 105-0404 5 | 2    | Bolt (4 x 45)                  |         |                 |      |                           |
| 27      | 162 010-0343 1 | 1    | Earth cord                     |         |                 |      |                           |
| 28      | 351 907-1053 1 | 1    | Cushion rubber (R-R-R)         |         |                 |      |                           |
| 29      | 351 107-1053 1 | 1    | Cushion rubber (R-L-R)         |         |                 |      |                           |

Model CS-351VL (5) Clutch and Guide bar

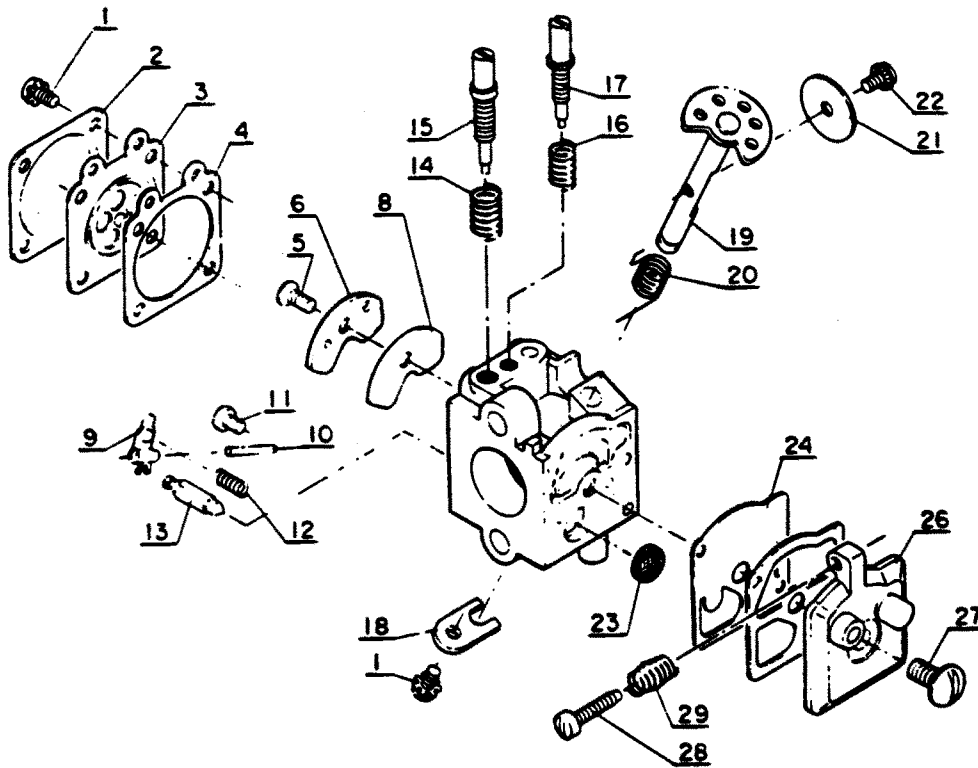


| Key No. | Part No.       | Q'ty | Part Name                     | Key No.   | Part No.       | Q'ty | Part Name       |
|---------|----------------|------|-------------------------------|---|----------------|------|-----------------|
| 5- 1    | 433 019-0393 1 | 2    | Nut                           | 5- 21   | 433 006-1283 0 | 1    | Chain catcher   |
| 2       | 433 010-1053 1 | 1    | Cover, guide bar              | (*7)  | 175 005-1153 0 | 1    | Case, clutch    |
| 3       | 433 027-1053 0 | 1    | Screw                         | (*24)   | 175 015-1043 0 | 1    | Washer          |
| 4       | 100 139-0393 0 | 1    | Lock nut (6 mm-L-H)           | (*7)  | 175 005-1053 0 | 1    | Case, clutch    |
| 5       | 175 014-0393 0 | 1    | Washer                        | (*5)  | 175 014-1053 0 | 1    | Washer          |
| 6       | 175 012-0393 0 | 1    | Roller bearing                | 22  | 175 310-1053 1 | 1    | Dust seal plate |
| 7       | 175 007-0393 0 | 1    | Case, clutch                  | 23  | 900 241-0400 8 | 2    | Screw           |
| 8       | 175 000-0393 0 | 1    | Clutch ass'y                  | 25  | 900 220-0502 5 | 1    | Screw           |
| 9       | 433 016-0283 0 | 1    | Adjusting screw               |   |                |      |                 |
| 10      | 100 247-0283 0 | 1    | Washer                        |   |                |      |                 |
| 11      | 433 014-0393 2 | 1    | Tensioner                     | <b>Remarks:</b><br>(*7) (*24) Low profile type Pitch 3/8 Option<br>(*7) (*5) 7 Tooth sprocket Pitch 3/8 Option<br>Key No. 16, 17 Optional |                |      |                 |
| 12      | 433 022-0283 0 | 1    | Lock nut                      |   |                |      |                 |
| 13      | 433 011-0393 0 | 2    | Stud, guide bar               |   |                |      |                 |
| 14      | 433 013-0393 0 | 1    | Side plate, guide bar (Inner) |   |                |      |                 |
| 15      | 433 012-0393 0 | 1    | Side plate, guide bar (Outer) |   |                |      |                 |
| 18      | 175 015-0393 0 | 1    | Washer                        |   |                |      |                 |
| 19      | 900 600-0000 5 | 2    | Washer                        |   |                |      |                 |
| 20      | 900 605-0000 5 | 1    | Spring washer                 |   |                |      |                 |



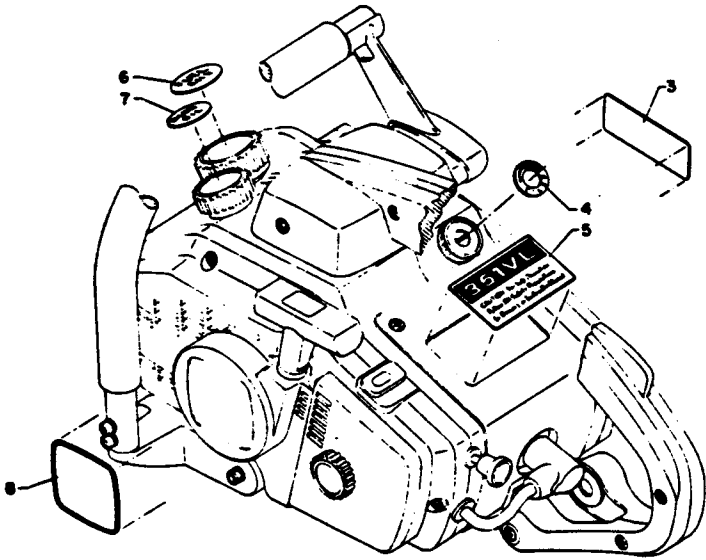
| Key No. | Part No.        | Q'ty | Part Name           | Key No. | Part No.       | Q'ty | Part Name           |
|---------|-----------------|------|---------------------|---------|----------------|------|---------------------|
| 5-1- 1  | 433 019-0393 1  | 2    | Flange nut          | 24      | 175 012-0393 0 | 1    | Roller bearing      |
|         | 433 100-1053 2  | 1    | Chain brake ass'y   | 25      | 175 207-0393 0 | 1    | Clutch case         |
|         | *433 110-1053 0 | 1    | Guide bar cover     | (*25)   | 175 205-1053 0 | 1    | Clutch case         |
|         | *433 131-0393 0 | 1    | Brake shoe guide    | (*25)   | 175 208-1053 0 | 1    | Clutch case         |
|         | *900 220-0500 8 | 2    | Screw               | 26      | 175 015-0393 0 | 1    | Clutch washer       |
|         |                 |      |                     | 27      | 175 000-0393 0 | 1    | Clutch ass'y        |
| 7       | *900 600-0000 6 | 1    | Washer              | 28      | 433 016 0083 0 | 1    | Adjusting screw     |
| 8       | *433 130-0393 0 | 1    | Screw               | 29      | 100 247-0283 0 | 1    | Washer              |
| 9       | *433 101-0393 0 | 1    | Brake shoe          | 30      | 433 014-0393 2 | 1    | Tensioner           |
| 10      | *433 122-0393 0 | 1    | Brake spring        | 31      | 433 022-0283 0 | 1    | Lock nut            |
| 11      | *433 115-0393 0 | 1    | Brake handle washer | 32      | 433 011-0393 0 | 2    | Stud bolt           |
| 12      | *433 117-0393 0 | 1    | Connector           | 33      | 433 013-0393 0 | 1    | Side plate (Inner)  |
| 13      | *433 116-0393 0 | 1    | Brake handle spacer | 34      | 433 012-0393 0 | 1    | Side plate (Outer)  |
| 14      | *433 114-0393 0 | 1    | Return spring       | 35      | 433 026-1103 0 | 1    | Chain catcher       |
| 15      | *433 105-1053 1 | 1    | Brake handle        | 36      | 900 605-0000 5 | 1    | Spring washer       |
| 16      | *433 113-0393 0 | 1    | Screw               | 37      | 900 600-0000 5 | 1    | Washer              |
| 17      | *433 310-1053 1 | 1    | Dust seal           | 40      | 175 310-1053 1 | 1    | Dust seal plate     |
| 18      | *900 220-0401 0 | 2    | Screw               | 41      | 900 241-0400 8 | 2    | Screw               |
|         | *433 135-1053 0 | 1    | Washer              | 38      | 430 412-0083 0 | 1    | Guide bar, 14P50    |
| 4       | 433 027-1053 0  | 1    | Screw               |         | 430 412-0393 0 | 1    | Guide bar, 35CL50   |
| 22      | 100 139-0393 0  | 1    | Nut                 |         | 430 412-1053 0 | 1    | Guide bar, 35C50    |
| 23      | 175 214-0393 0  | 1    | Clutch case washer  |         | 430 413-0393 0 | 1    | Guide bar, 40CL50   |
|         |                 |      |                     |         | 430 413-1053 0 | 1    | Guide bar, 40C50    |
|         |                 |      |                     | 39      | 431 612-0393 0 | 1    | Saw chain, 25-76E   |
|         |                 |      |                     |         | 431 612-1003 0 | 1    | Saw chain, 25AP-76E |
|         |                 |      |                     |         | 431 613-1053 0 | 1    | Saw chain, 25AP-84E |

Model CS-351VL (6) Carburetor



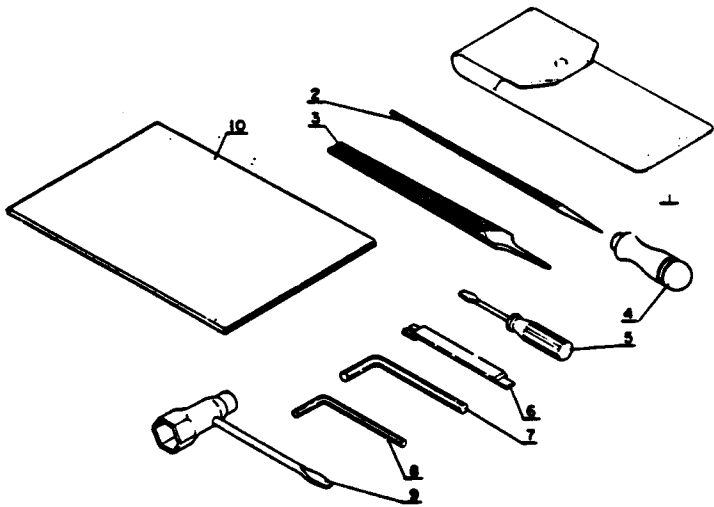
| Key No. | Part No.        | Q'ty | Part Name                 | Key No. | Part No.        | Q'ty | Part Name                 |
|---------|-----------------|------|---------------------------|---------|-----------------|------|---------------------------|
| 6       | 123 000-1053 0  | 1    | Carburetor ass'y(WA-25)   | 6- 16   | -123 121-0393 0 | 1    | Idle needle adjust spring |
| 1       | -123 144-0393 0 | 5    | Screw                     | 17      | -123 118-1053 0 | 1    | Idle needle               |
| 2       | -123 142-0393 0 | 1    | Metering diaphragm cover  | 18      | -123 127-0393 0 | 1    | Throttle shaft clip       |
| 3       | -123 141-0393 0 | 1    | Metering diaphragm        | 19      | -123 117-0393 0 | 1    | Throttle shaft            |
| 4       | -123 140-0393 0 | 1    | Metering diaphragm gasket | 20      | -123 113-0393 0 | 1    | Throttle return spring    |
| 5       | -123 167-0523 0 | 1    | Circuit plate screw       | 21      | -123 116-1053 0 | 1    | Throttle valve            |
| 6       | -123 166-1053 0 | 1    | Circuit plate             | 22      | -123 114-0393 0 | 1    | Shutter screw             |
| 7       | -123 164-1053 0 | 1    | Circuit plate gasket      | 23      | -123 126-0393 0 | 1    | Inlet screen              |
| 8       | -123 123-0393 0 | 1    | Metering lever            | 24      | -123 112-0393 0 | 1    | Pump diaphragm            |
| 10      | -123 138-0393 0 | 1    | Metering lever pin        | 25      | -123 125-0393 0 | 1    | Pump gasket               |
| 11      | -123 139-0393 0 | 1    | Metering lever pin screw  | 26      | -123 124-1053 0 | 1    | Pump cover                |
| 12      | -123 122-0393 0 | 1    | Metering lever spring     | 27      | -123 110-0393 0 | 1    | Pump cover screw          |
| 13      | -123 137-0393 0 | 1    | Inlet needle valve        | 28      | -123 134-0393 0 | 1    | Idle adjust screw         |
| 14      | -123 119-0393 0 | 1    | H.S. adjust spring        | 29      | -123 133-0393 0 | 1    | Idle adjust spring        |
| 15      | -123 120-1053 0 | 1    | High speed needle         |         |                 |      |                           |

**Model CS-351VL (7) Model Plate**



| Key No. | Part No.       | Q'ty | Part Name       |
|---------|----------------|------|-----------------|
| 7- 3    | 890 021-0393 1 | 1    | Echo name plate |
| 4       | 890 022-0343 0 | 1    | Caution label   |
| 5       | 890 151-1053 1 | 1    | Model plate     |
| 6       | 890 154-0393 0 | 1    | Fuel label      |
| 7       | 890 153-0393 0 | 1    | Oil label       |
| 8       | 890 012-0066 2 | 1    | Name plate      |

**(8) Tools**



| Key No. | Part No.        | Q'ty | Part Name          |
|---------|-----------------|------|--------------------|
| 8-      | 896 000-0393 0  | 1    | Tool set           |
| 1       | -898 510-0111 1 | 1    | Tool bag           |
| 2       | -897 510-0393 0 | 1    | Round file         |
| 3       | -897 511-0023 0 | 1    | Flat file          |
| 4       | -897 512-0023 0 | 1    | File grip          |
| 5       | -895 812-0393 0 | 1    | Screw driver       |
| 6       | -897 514-0083 1 | 1    | Depth gauge        |
| 7       | -895 610-0013 0 | 1    | L-wrench (4 mm)    |
| 8       | -895 612-0343 0 | 1    | L-wrench (3 mm)    |
| 9       | -895 410-0393 0 | 1    | Wrench (10 x 19)   |
| 10      |                 | 1    | Instruction manual |

**Remarks:**

- (E) \* Key No. 1. 5. 7. 8. 9. 10. are standard tools supplied with the chain saw.  
Others are optional parts, to be supplied on special order.