



AVAILABLE ATTACHMENTS & ACCESSORIES

Accessories

103942147	CS Carry Bag
89850308032	Blade Cover - 4.5 x 17in.
99988800207	CS Removable Nose Case
99988800308	CS Lanyard Strap w_Snap
99988801205	CS Fixed Nose Case

Guide Bars

12A0CD3745	Guide Bar - 12"
12A0ZD3745	Guide Bar - 12" -- Intenz
14A0CD3752	Guide Bar - 14"
14A0ZD3752	Guide Bar - 14" -- Intenz
16A0CD3757	Guide Bar - 16"
16A0ZD3757	Guide Bar - 16" -- Intenz

Sawing Chains

917045	Chain - 12" (91VG-45G)
917052	Chain - 14" (91VG-52C)
917057	Chain - 16" (91VG-57C)

PARTS CATALOG

CS-3400 Type 1E

CHAIN SAW

33.4cc

MODEL: SERIAL NUMBERS

CS-3400: Type 1E

ECHO, INCORPORATED

400 Oakwood Road Lake Zurich, Illinois 60047 USA

WWW.ECHO-USA.COM



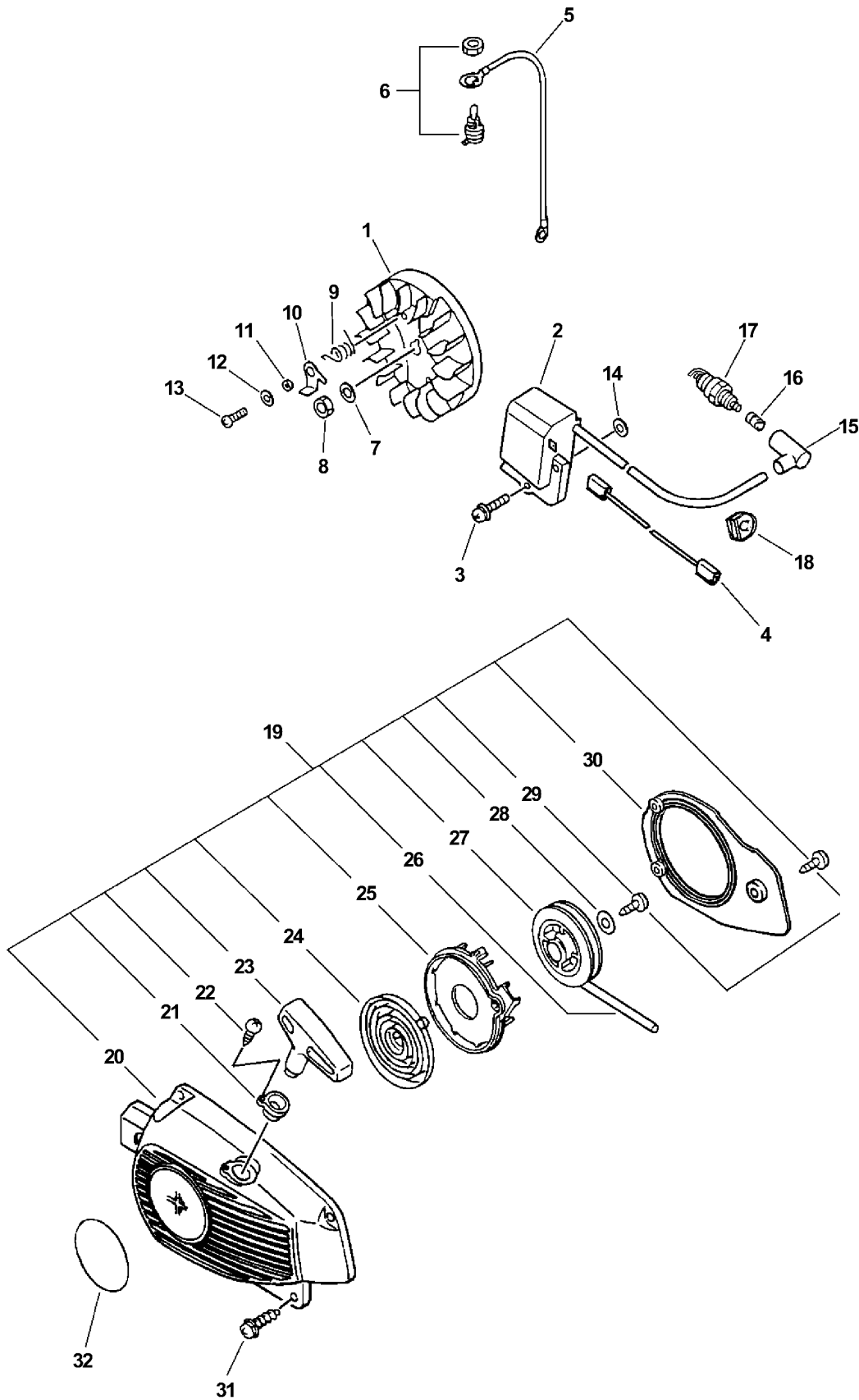
Table of Contents

Click Any Diagram Description Below To View That Diagram.

CS-3400 Type 1E

Ignition, Starter Assembly.....	4
Intake, Exhaust.....	6
Carburetor -- WT-402A.....	8
Handles, Throttle Control.....	10
Fuel System, Oil System.....	12
Engine, Engine Cover.....	14
Chain Break Assembly.....	16
Clutch, Cutting Attachment, Tools.....	18
Part Number Index.....	20
Part Description Index.....	21

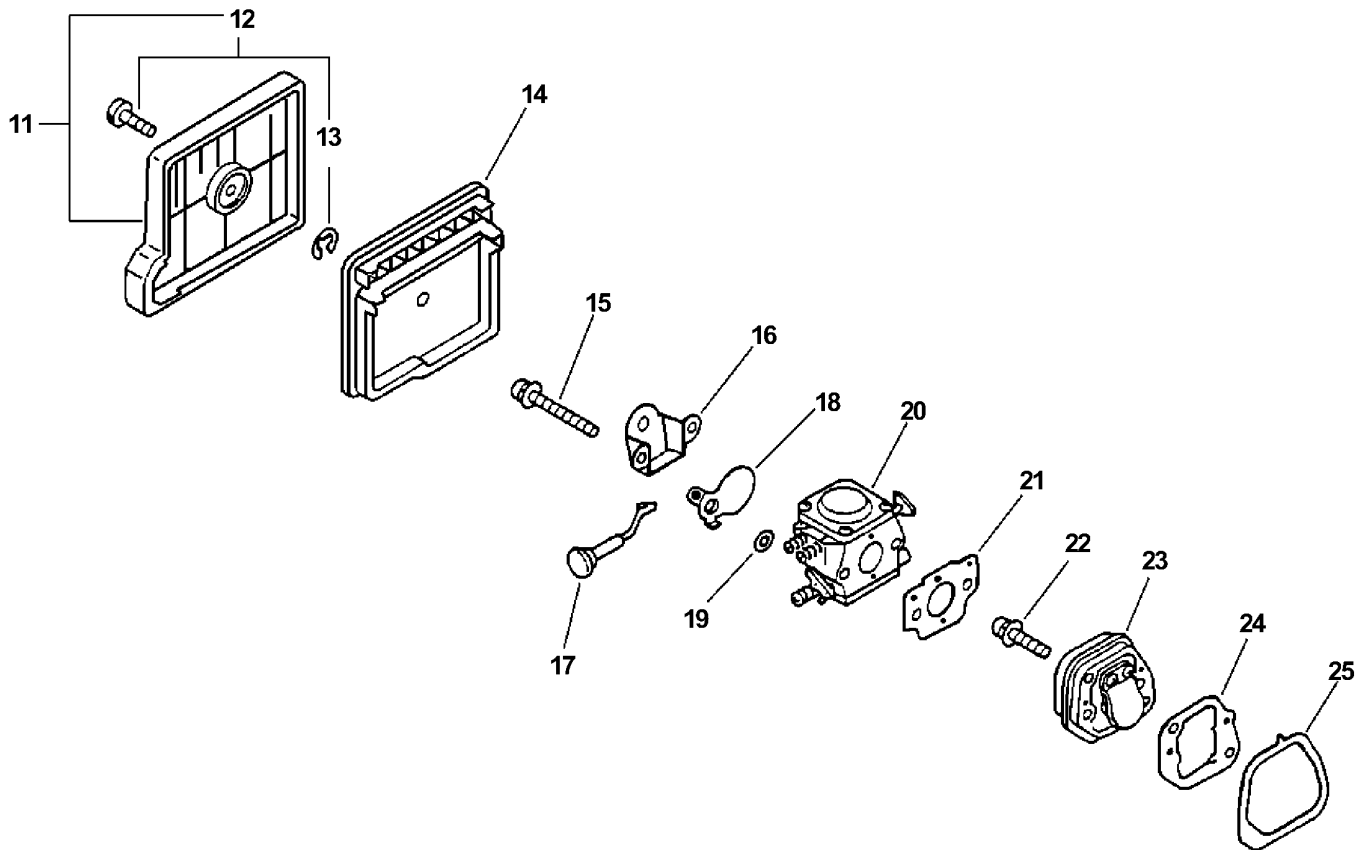
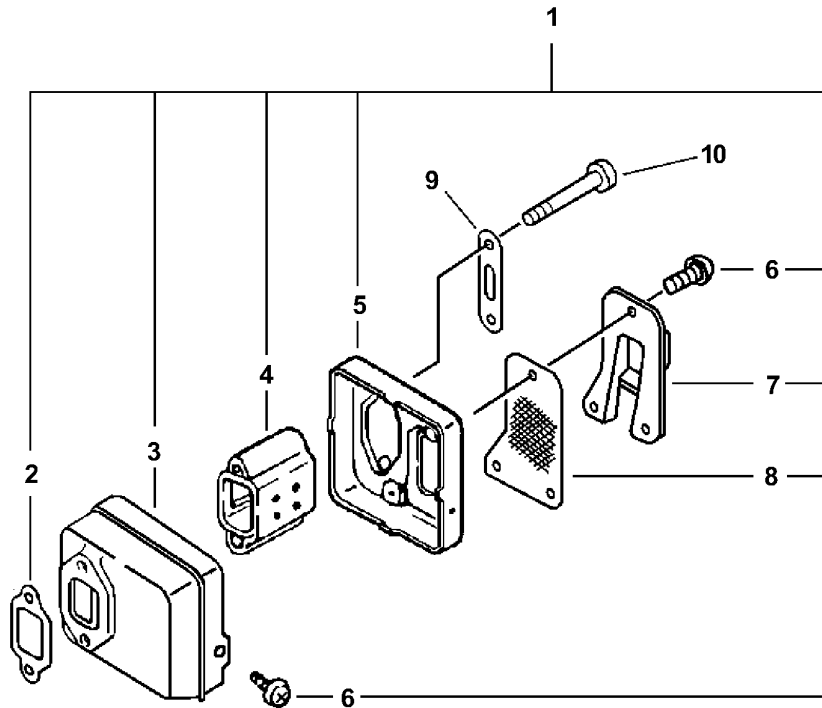
This Page Intentionally Left Blank



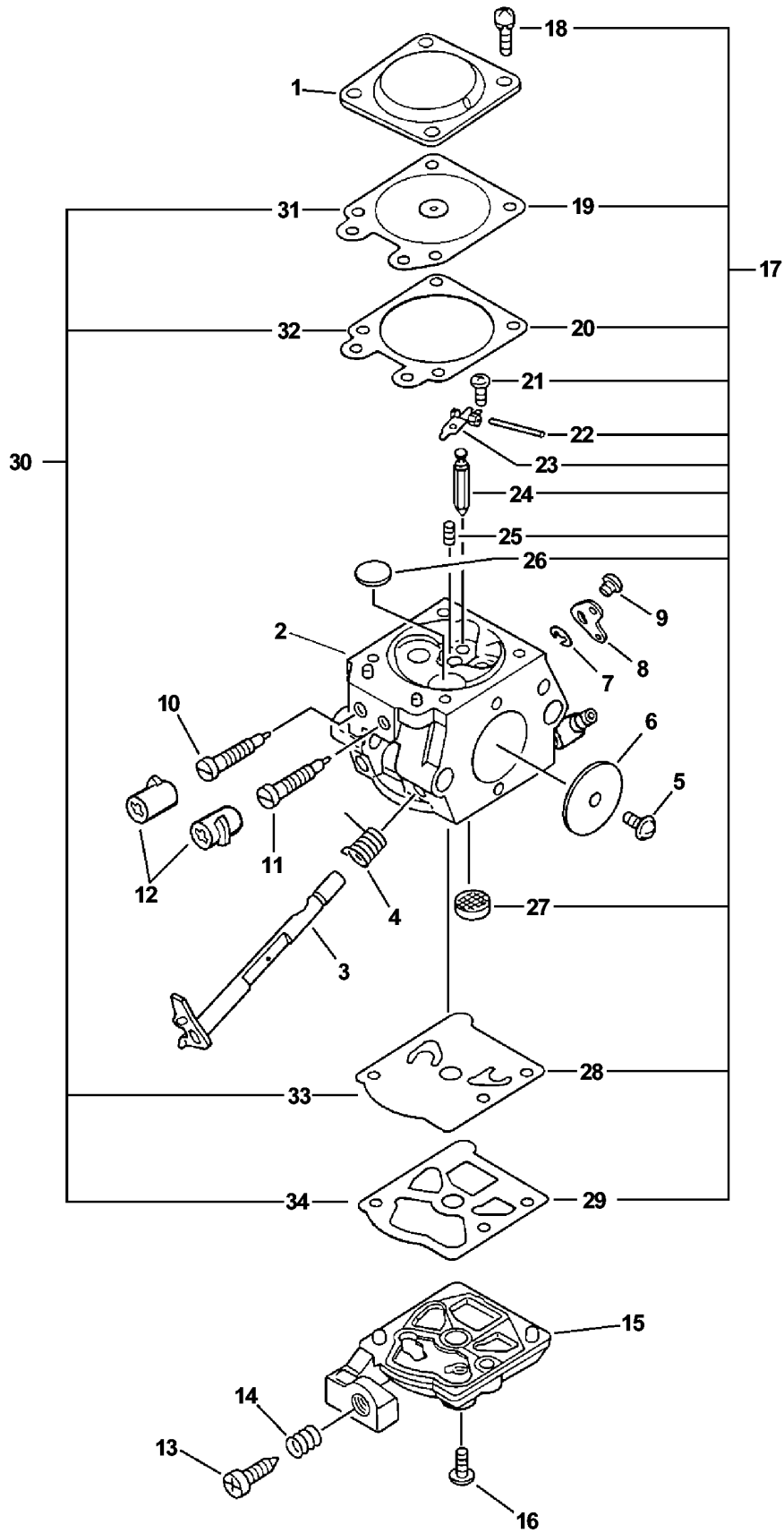
ITEM	PART NUMBER	QTY	DESCRIPTION	REMARKS
1	15680035630	1	FLYWHEEL ¹	S/N 001001-550497, CANADA - SN 001001-002488
2	15662639130	1	COIL,IGNITION ²	S/N 001001-550497, CANADA - SN 001001-002488
3	90023805020	2	SCREW 5X20	S/N 001001-550497, CANADA - SN 001001-002488
1	15680039230	1	FLYWHEEL ³	S/N 550498 & UP, CANADA - SN 002489 & UP
2	15662639230	1	COIL, IGNITION ⁴	S/N 550498 & UP, CANADA - SN 002489 & UP
3	90023805022	2	SCREW 5X22	S/N 550498 & UP, CANADA - SN 002489 & UP
4	16201039430	1	LEAD	S/N 550498 & UP, CANADA - SN 002489 & UP
5	16201039131	1	LEAD	
6	16340019830	1	SWITCH,IGNITION	
7	90060000008	1	WASHER 8	
8	90050000008	1	NUT 8	
9	17723435430	2	SPRING, RETURN	
10	17721835631	2	PAWL, STARTER	
11	17724704630	2	SPACER, RATCHET	
12	90060300005	2	WASHER 5	
13	90021605012	2	SCREW 5X12	
14	15011716430	2	SPACER	
15	15901201620	1	CAP, SPARK PLUG	
16	15901103432	1	COIL, SPARK PLUG CAP	
17	15901010630	1	PLUG, SPARK - BPM-7A	
17	15901010230	1	PLUG, SPARK - BPMR-7A ⁵	
18	15611004920	1	GROMMET	
19	17720039631	1	STARTER ASY	INCLUDES ITEMS 20-30
20	17723239532	1	COVER, STARTER	
21	17722739131	1	GUIDE, ROPE	
22	90029603014	1	SCREW 3X14	
23	17722835430	1	GRIP, STARTER ROPE	
24	17722039630	1	SPRING, REWIND	
25	17722139630	1	PLATE, STARTER	
26	17722606530	1	ROPE, STARTER - 3X850mm ⁶	
27	17721535632	1	DRUM, STARTER	
28	17721404630	1	WASHER	
29	90025304014	4	SCREW, 4X14	
30	10153439530	1	PLATE, GUIDE	
31	90025604016	4	SCREW, 4X16	
32	89011849330	1	LABEL, ECHO	

Footnotes

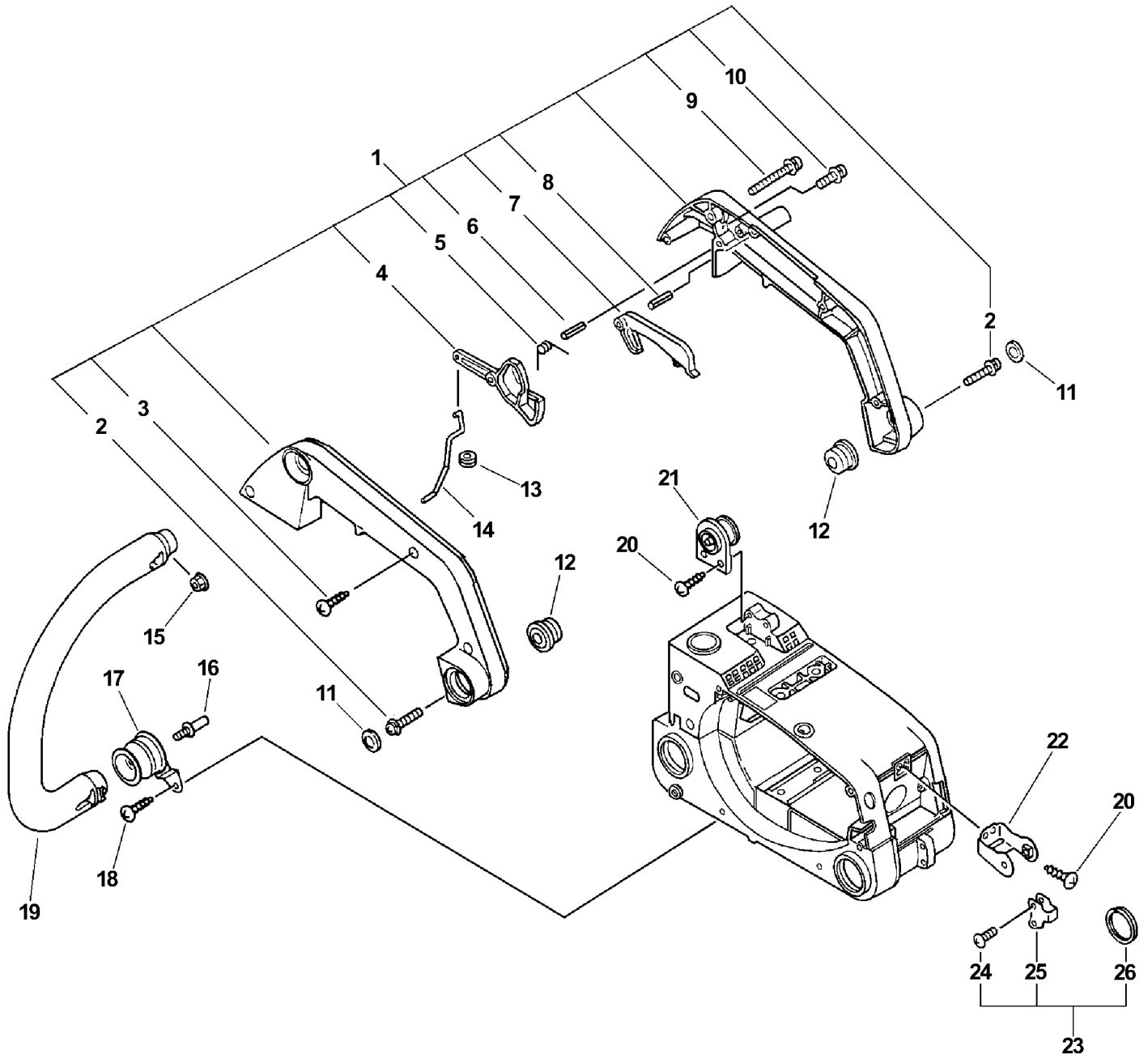
- 1: MAY ONLY BE USED WITH 15662639130 - COIL, IGNITION
- 2: MAY ONLY BE USED WITH 15680035630 - FLYWHEEL
- 3: MAY ONLY BE USED WITH 15662639230 - COIL, IGNITION
- 4: MAY ONLY BE USED WITH 15680039230 - FLYWHEEL
- 5: CANADA MODELS
- 6: BULK OPTION: 99944440000



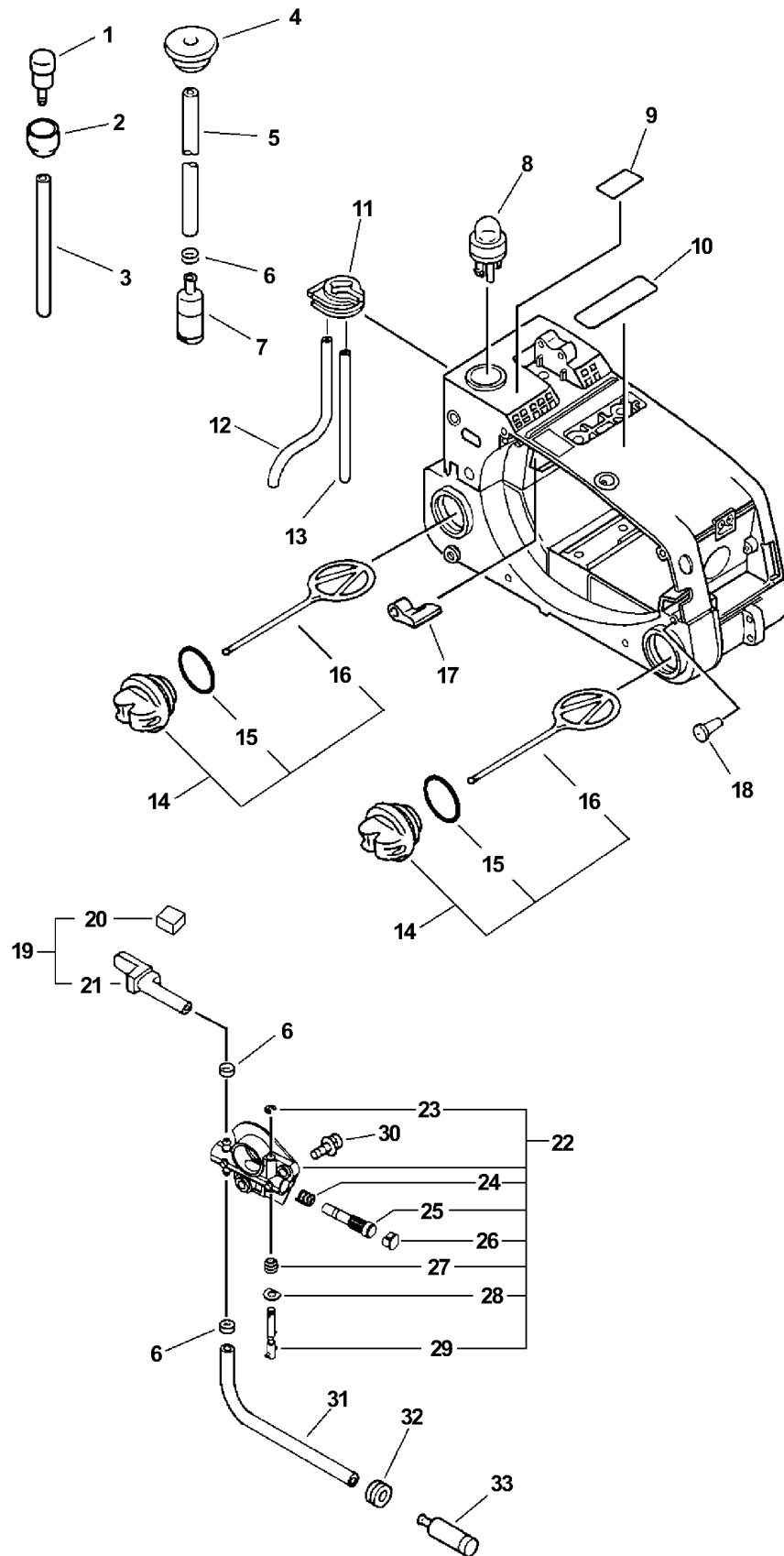
ITEM	PART NUMBER	QTY	DESCRIPTION	REMARKS
1	14580335532	1	MUFFLER ASY	INCLUDES ITEMS 2-8
2	14551013931	1	GASKET, MUFFLER	
3	14585813931	1	MUFFLER	
4	14585913930	1	SILENCER	
5	14586135530	1	LID, MUFFLER	
6	90025004008	4	SCREW, 4X8	
7	14587635530	1	GUIDE, EXHAUST	
8	14586213931	1	SCREEN, MUFFLER	
9	14564213930	1	PLATE, EYE	
10	10102313930	2	BOLT, MUFFLER	
11	13030239133	1	CLEANER LID ASY	INCLUDES ITEMS 12-13
12	13040613932	1	BOLT ASY	INCLUDES ITEMS 13
13	90070000004	1	E-RING 4	
14	13031039131	1	FILTER, AIR	
15	90023805045	2	SCREW, 5X45	
16	12901139130	1	PLATE, PREVENT	
17	17851039230	1	ROD, CHOKE	
18	17851539130	1	SHUTTER, CHOKE	
19	17851603930	2	WASHER	
20	12300139132	1	CARBURETOR - WT-402A	
21	V103000021	1	GASKET, INTAKE	
22	90025005018	2	SCREW, 5X18	
23	13000039131	1	INSULATOR KIT	
24	V103000120	1	GASKET, INTAKE	
25	13001239130	1	SEAL	



ITEM	PART NUMBER	QTY	DESCRIPTION	REMARKS
	12300139132	1	CARBURETOR - WT-402A	
1	12314203930	1	COVER, METERING DIAPHRAGM	
2	-----	1	BODY, CARBURETOR	NOT AVAILABLE SEPARATELY
3	12311739630	1	SHAFT, THROTTLE	
4	12311347530	1	SPRING, THROTTLE RETURN	
5	12311403930	2	SCREW, THROTTLE VALVE	
6	12311605230	1	VALVE, THROTTLE	
7	12312715030	1	CLIP, THROTTLE SHAFT	
8	12315039230	1	LEVER, THROTTLE	
9	12311403930	2	SCREW, THROTTLE LEVER	
10	12312039230	1	NEEDLE, HIGH SPEED	
11	12311839230	1	NEEDLE, LO SPEED	
12	12315139230	2	CAP, MIXTURE LIMITER	
13	12313419730	1	SCREW, IDLE ADJUST	
14	12313311130	1	SPRING, IDLE ADJUST	
15	12312409320	1	COVER, FUEL PUMP	
16	12311003930	1	SCREW, FUEL PUMP COVER	
17	12310039130	1	REPAIR KIT	INCLUDES ITEMS 18-29
18	-----	4	SCREW, METERING DIAPHRAGM COVER	
19	-----	1	DIAPHRAGM, METERING	
20	-----	1	GASKET, METERING DIAPHRAGM	
21	-----	1	SCREW, METERING LEVER PIN	
22	-----	1	PIN, METERING LEVER	
23	-----	1	LEVER, METERING	
24	-----	1	VALVE, INLET NEEDLE	
25	-----	1	SPRING, METERING LEVER	
26	-----	1	PLUG, WELCH	
27	-----	1	SCREEN, INLET	
28	-----	1	DIAPHRAGM, FUEL PUMP	
29	-----	1	GASKET, FUEL PUMP	
30	12310105960	1	DIAPHRAGM/GASKET KIT	INCLUDES ITEMS 31-34
31	-----	1	DIAPHRAGM, METERING	
32	-----	1	GASKET, METERING DIAPHRAGM	
33	-----	1	DIAPHRAGM, FUEL PUMP	
34	-----	1	GASKET, FUEL PUMP	



ITEM	PART NUMBER	QTY	DESCRIPTION	REMARKS
1	35110039131	1	REAR HANDLE SET	INCLUDES ITEMS 2-8
2	90023804010	2	SCREW, 4X10	
3	90025604016	3	SCREW, 4X16	
4	17801039130	1	CONTROL, THROTTLE	
5	17804339131	1	SPRING, THROTTLE RETURN	
6	90034540025	1	PIN, SPRING 4X25	
7	17809039130	1	LOCKOUT, THROTTLE	
8	90034540020	1	PIN, SPRING 4X20	
9	90023805035	1	SCREW, 5X35	
10	90023805014	1	SCREW, 5X14	
11	10091815130	2	CAP, CUSHION	
12	10092139130	2	CUSHION	
13	17821039130	1	GROMMET, THROTTLE	
14	17801139131	1	ROD, THROTTLE	
15	90051600005	1	NUT, FLANGE 5	
16	10091533930	1	SCREW	
17	10091035630	1	CUSHION	
18	90025604016	4	SCREW, 4X16	
19	35161039130	1	HANDLE, FRONT	
20	90025304014	4	SCREW, 4X14	
21	10090739130	1	CUSHION	
22	35112339131	1	SUPPORTER	
23	P021000280	1	HARNESS RING KIT	INCLUDES ITEMS 24-26
24	90023804016	2	SCREW, 4X16	
25	30031439130	1	FIXTURE, HARNESS	
26	30101652730	1	RING, HARNESS	



ITEM	PART NUMBER	QTY	DESCRIPTION	REMARKS
1	13130056430	1	VALVE, CHECK	
2	13132839130	1	COVER, VENT	
3	13201039230	1	PIPE, VENT - 3X5X100	BULK OPTION: 90014
4	13211539130	1	GROMMET, FUEL	
5	13201239130	1	PIPE, FUEL - 3X6X160mm ¹	
6	13201326630	3	CLIP	
7	13120507320	1	FILTER, FUEL	
8	12318139130	1	PUMP, PURGE	
9	89016739230	1	LABEL, PURGE PUMP	
10	89022839130	1	LABEL, CAUTION	
11	13275839130	1	BRACKET, PUMP	
12	13271639130	1	PIPE, RETURN - 2X4X42 ²	
13	13131239130	1	PIPE, PURGE - 3X5X70 ³	
14	43600139231	2	CAP, TANK	INCLUDES ITEMS 15-16
15	90072100025	2	O-RING 25	
16	13105119830	2	CLIP, FUEL CAP	
17	13033639530	1	PLUG	
18	43611413930	1	VALVE, CHECK	
19	43720139130	1	PIPE KIT	INCLUDES ITEM 20-21
20	43724439130	1	PAD, FOAM	
21	43721139132	1	PIPE, OIL	
22	43700239130	1	AUTO-OILER ASY	INCLUDES ITEM 23-29
23	12312715030	1	CLIP	
24	43701938330	1	SPRING	
25	43702437330	1	PLUNGER	
26	43706237330	1	CAP, OIL PUMP	
27	43701537330	1	SPRING	
28	43702937330	1	WASHER	
29	43701639130	1	NEEDLE, ADJUST	
30	90023505012	2	SCREW, 5X12	
31	13201235430	1	PIPE - 3X6X115 ¹	
32	13211501461	1	GROMMET	
33	43620502832	1	STRAINER, OIL	

Footnotes

1: BULK OPTION: 90015

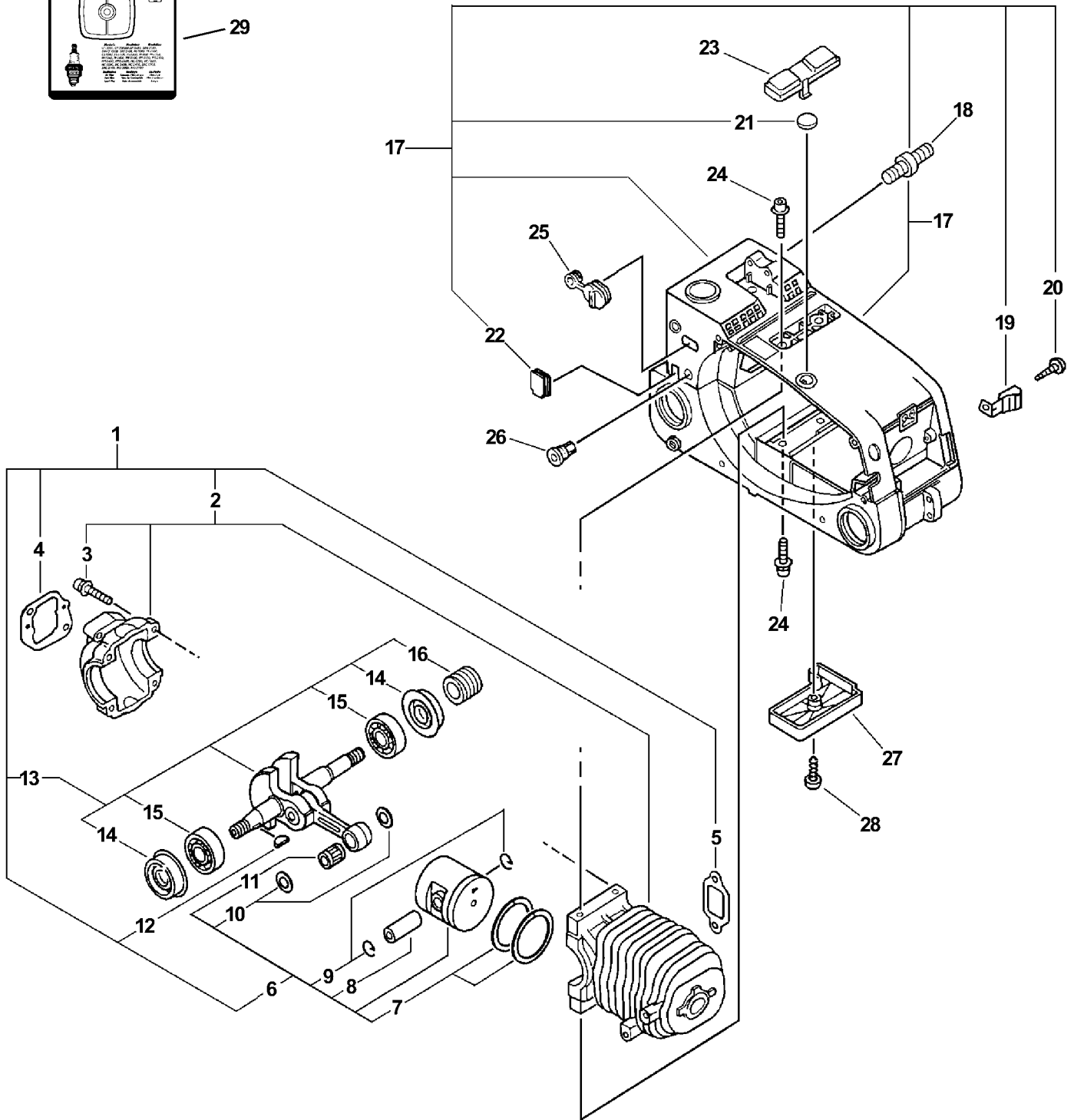
2: BULK OPTION: 90018

3: BULK OPTION: 90014



MAINTENANCE KIT

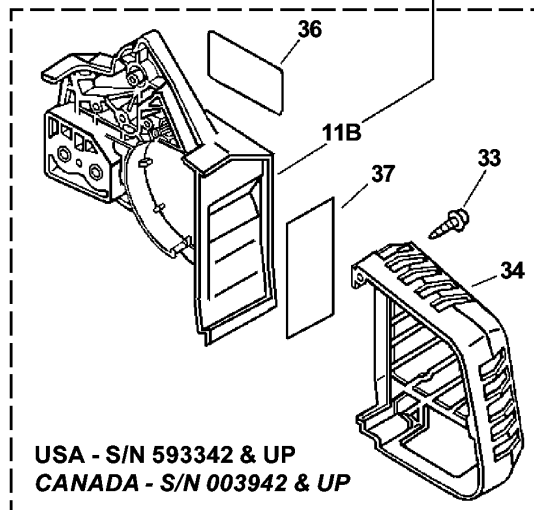
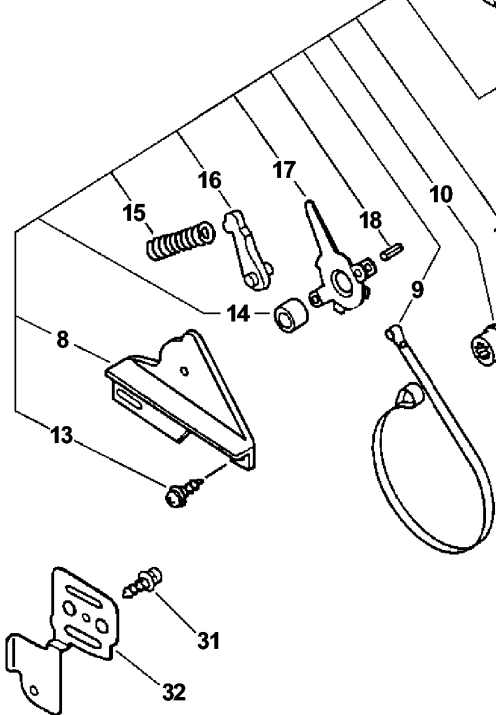
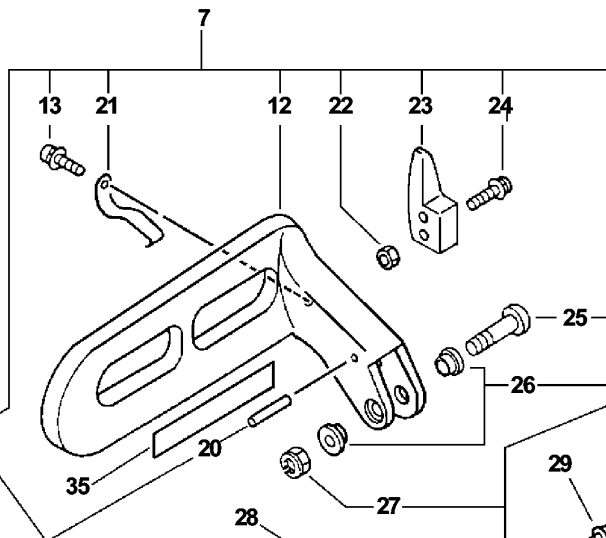
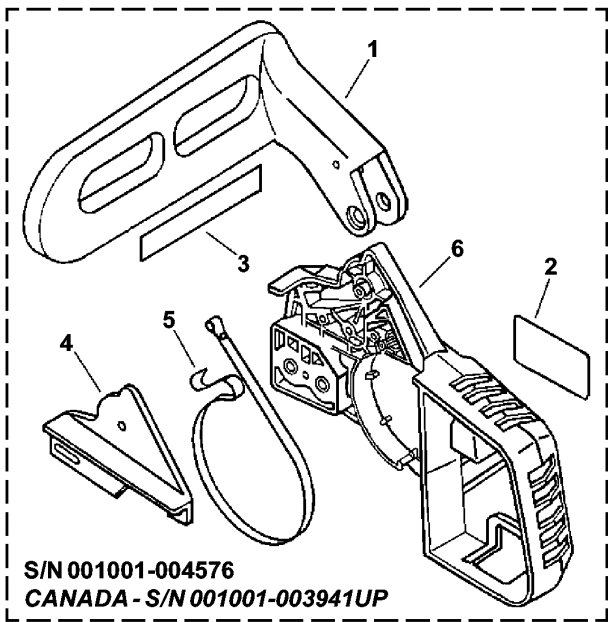
29



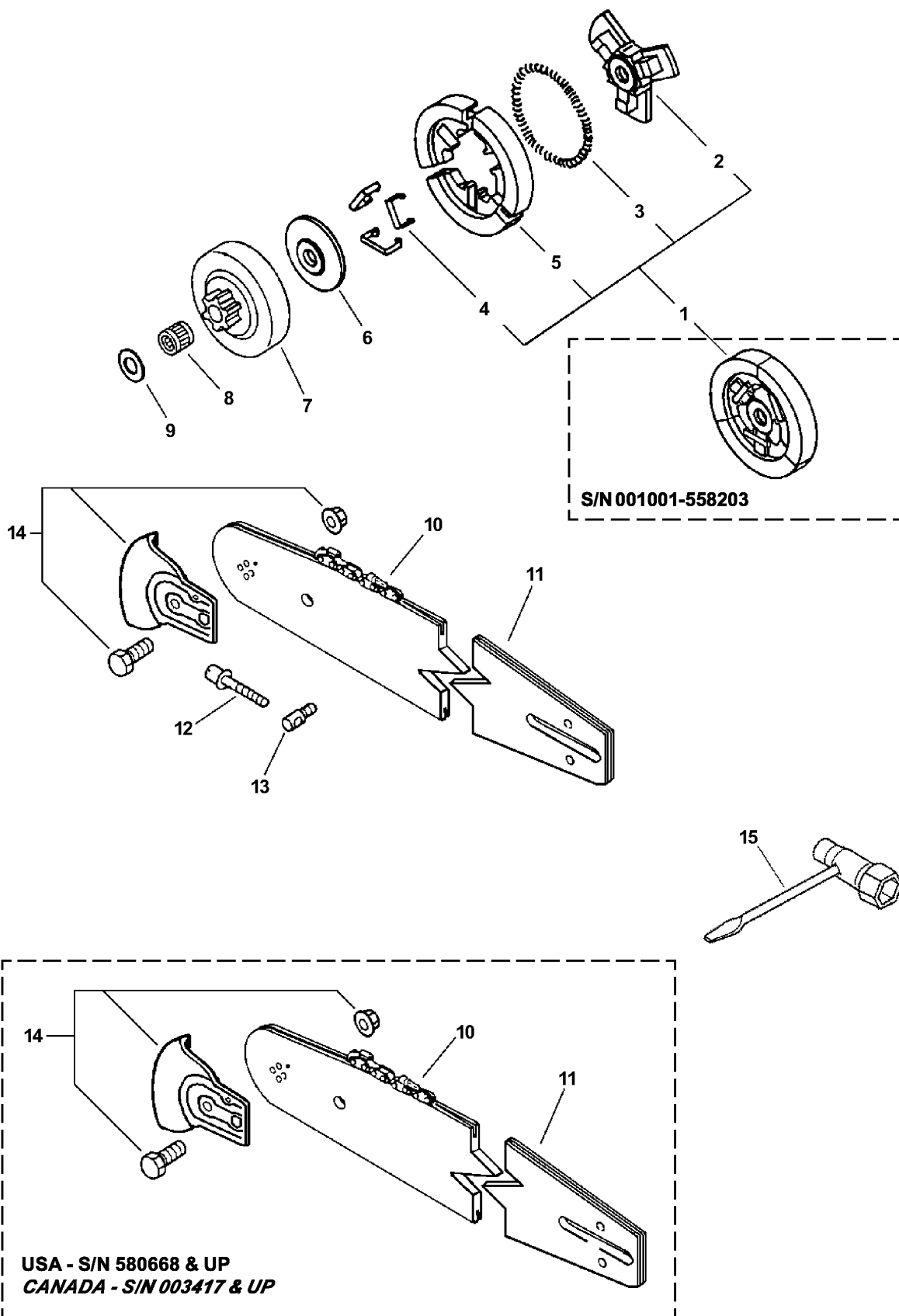
ITEM	PART NUMBER	QTY	DESCRIPTION	REMARKS
1	SB1019	1	SHORT BLOCK	INCLUDES 2-16
2	-----	1	CRANKCASE SET	INCLUDES ITEM 3
3	90023805025	4	SCREW, 5X25	
4	V103000120	1	GASKET, INTAKE	
5	14551013931	1	GASKET, EXHAUST	
6	10000039530	1	PISTON KIT	INCLUDES ITEMS 7-10
7	10001113330	2	RING, PISTON	
8	10001315330	1	PIN, PISTON	
9	10001504630	2	CIRCLIP, PISTON PIN	
10	10001411520	2	SPACER, PISTON PIN	
11	17501203930	1	BEARING, NEEDLE	
12	10014242030	1	KEY, WOODRUFF	
13	10010039130	1	CRANKSHAFT ASY	INCLUDES ITEMS 14-16
14	10021338330	2	SEAL, OIL	
15	90081036201	2	BEARING, BALL 6201	
16	43706338330	1	GEAR, WORM	
17	10400439231	1	COVER KIT, ENGINE	INCLUDES ITEMS 18-22, S/N 001001-593341, CANADA - S/N 001001-003941
18	43301103931	2	STUD, GUIDE BAR	S/N 001001-593341, CANADA - S/N 001001-003941
19	10421539131	1	LATCH	S/N 001001-593341, CANADA - S/N 001001-004033
20	90025304010	1	SCREW, 4X10	S/N 001001-593341, CANADA - S/N 001001-004033
21	16391139130	1	PLUG, OILER	S/N 001001-593341, CANADA - S/N 001001-003941
22	10403439130	1	PLUG	S/N 001001-593341, CANADA - S/N 001001-003941
17	A190000021	1	COVER KIT, ENGINE	INCLUDES ITEM 18, S/N 593342 & UP, CANADA - S/N 003942 & UP
18	43301103931	2	STUD, GUIDE BAR	S/N 593342 & UP, CANADA - S/N 003942 & UP
23	10402939230	1	GROMMET	
24	90010605016	4	BOLT, 5X16	
25	17881039630	1	GROMMET, CHOKE	
26	12902339130	1	GROMMET, IDLE	
27	10404439230	1	COVER	
28	90025604016	1	SCREW, 4X16	
29	90068	1	MAINTENANCE KIT ¹	INCLUDES ITEMS 30-32
30	13031039131	1	FILTER, AIR ²	
31	13120507320	1	FILTER, FUEL ²	
32	15901010630	1	PLUG, SPARK - BPM-7A ²	

Footnotes

- 1: OPTIONAL
 2: OPTIONAL (NOT SHOWN)



ITEM	PART NUMBER	QTY	DESCRIPTION	REMARKS
1	43311160531	1	LEVER, BRAKE	
2	89015139430	1	LABEL, MODEL	
3	89019239531	1	LABEL, BAR & CHAIN - US MODELS	
3	89035439131	1	LABEL, BAR & CHAIN - CANADA MODELS	
7	43310039430	1	CHAIN BRAKE KIT	INCLUDES ITEMS 8-27
4	43331039230	1	COVER, BRAKE	S/N 001001-004576
5	43312339130	1	BAND, BRAKE	S/N 001001-004576
6	43300539233	1	GUARD, SPROCKET	S/N 001001-004576
8	43331039530	1	COVER, BRAKE	S/N 004577-593341
9	43312339530	1	BAND, BRAKE	S/N 004577-593341
10	43314235430	1	ADJUSTER, BRAKE	S/N 004577-593341
11A	43300539530	1	GUARD, SPROCKET	S/N 004577-593341
7	C032000050	1	CHAIN BRAKE KIT	INCLUDES ITEMS 8-27
8	43331039530	1	COVER, BRAKE	
9	43312339530	1	BAND, BRAKE	
10	43314235430	1	ADJUSTER, BRAKE	
11B	C300000040	1	GUARD, SPROCKET	
12	43314739131	1	LEVER, BRAKE	
33	90025305020	2	SCREW 5X20	
34	A320000030	1	COVER, MUFFLER	
35	X503001760	1	LABEL, MODEL	
36	89019239532	1	LABEL, BAR & CHAIN - US MODELS	
36	89035439131	1	LABEL, BAR & CHAIN - CANADA MODELS	
37	V341000000	1	DEFLECTOR, HEAT	
13	90025304010	4	SCREW 4X10	
14	43311635430	1	SPACER, 8X12X9	
15	43312235430	1	SPRING, BRAKE	
16	43320935430	1	STOPPER, BRAKE	
17	43320835431	1	CONNECTOR, BRAKE	
18	90033040088	1	ROLLER	
19	43331232630	1	COVER, SEAL	
20	90033040238	1	ROLLER, 4X23.8	
21	43311439130	1	SPRING	
22	90050000004	2	NUT 4	
23	43317139630	1	WEIGHT, BRAKE	
24	90023804022	2	SCREW 4X22	
25	9131805032	1	SCREW 5X32	
26	43316739130	2	SPACER	
27	90056000005	1	LOCKNUT 5	
28	43301903933	2	FLANGE NUT 6	
29	90025305020	1	SCREW 5X20	
30	43302635430	1	CATCHER, CHAIN	
31	90025304010	1	SCREW 4X10	
32	43301239131	1	PLATE, GUIDE	



ITEM	PART NUMBER	QTY	DESCRIPTION	REMARKS
1	P021000260	1	CLUTCH ASY	S/N 001001-558203
1	A056000010	1	CLUTCH ASY	INCLUDES ITEMS 2-5; S/N 558204 & UP
2	A552000000	1	HUB, CLUTCH	S/N 558204 & UP
3	17501839430	1	SPRING, CLUTCH	S/N 558204 & UP
4	17502259530	3	SPRING, FLAT	S/N 558204 & UP
5	A555000000	3	SHOE, CLUTCH	S/N 558204-593341
5	P021000270	1	CLUTCH SHOE SET	S/N 593342 & UP
6	17501939430	1	PLATE, CLUTCH	
7	17500539131	1	DRUM, CLUTCH	
8	17501235630	1	BEARING, NEEDLE	
9	17501439130	1	WASHER, CLUTCH	
10	917045	1	CHAIN, SAW 91VG-45E - 12"	
10	917052	1	CHAIN, SAW 91VG-52E - 14"	
10	917057	1	CHAIN, SAW 91VG-57E - 16"	
11	120374501	1	BAR, GUIDE - 12"	S/N 001001-580667, CANADA - S/N 001001-003470
11	140375201	1	BAR, GUIDE - 14"	S/N 001001-580667, CANADA - S/N 001001-003470
11	160375701	1	BAR, GUIDE - 16"	S/N 001001-580667, CANADA - S/N 001001-003470
12	43301639131	1	BOLT	S/N 001001-580667, CANADA - S/N 001001-003470
13	43301403931	1	TENSIONER	S/N 001001-580667, CANADA - S/N 001001-003470
11	122374501	1	BAR, GUIDE- 12" INTENZ	S/N 580668 & UP,CANADA - 003471 & UP
11	142375201	1	BAR, GUIDE- 14" INTENZ	S/N 580668 & UP,CANADA - 003471 & UP
11	162375701	1	BAR, GUIDE- 16" INTENZ	S/N 580668 & UP,CANADA - 003471 & UP
14	2894901	1	GUARD, KICK KIT	
15	89541039130	1	WRENCH, W/SCREWDRIVER	



Part Number Index

Click The Page Number After Any Part Number To View The Diagram Containing That Part.

Part Number	Page	Part Number	Page	Part Number	Page	Part Number	Page
-----	9, 15	15611004920	5	43600139231	13	X503001760	17
10000039530	15	15662639130	5	43611413930	13		
10001113330	15	15662639230	5	43620502832	13		
10001315330	15	15680035630	5	43700239130	13		
10001411520	15	15680039230	5	43701537330	13		
10001504630	15	15901010230	5	43701639130	13		
10010039130	15	15901010630	5, 15	43701938330	13		
10014242030	15	15901103432	5	43702437330	13		
10021338330	15	15901201620	5	43702937330	13		
10090739130	11	160375701	19	43706237330	13		
10091035630	11	16201039131	5	43706338330	15		
10091533930	11	16201039430	5	43720139130	13		
10091815130	11	162375701	19	43721139132	13		
10092139130	11	16340019830	5	43724439130	13		
10102313930	7	16391139130	15	89011849330	5		
10153439530	5	17500539131	19	89015139430	17		
10400439231	15	17501203930	15	89016739230	13		
10402939230	15	17501235630	19	89019239531	17		
10403439130	15	17501439130	19	89019239532	17		
10404439230	15	17501839430	19	89022839130	13		
10421539131	15	17501939430	19	89035439131	17		
120374501	19	17502259530	19	89541039130	19		
122374501	19	17720039631	5	90010605016	15		
12300139132	7, 9	17721404630	5	90021605012	5		
12310039130	9	17721535632	5	90023505012	13		
12310105960	9	17721835631	5	90023804010	11		
12311003930	9	17722039630	5	90023804016	11		
12311347530	9	17722139630	5	90023804022	17		
12311403930	9	17722606530	5	90023805014	11		
12311605230	9	17722739131	5	90023805020	5		
12311739630	9	17722835430	5	90023805022	5		
12311839230	9	17723239532	5	90023805025	15		
12312039230	9	17723435430	5	90023805035	11		
12312409320	9	17724704630	5	90023805045	7		
12312715030	9, 13	17801039130	11	90025004008	7		
12313311130	9	17801139131	11	90025005018	7		
12313419730	9	17804339131	11	90025304010	15, 17		
12314203930	9	17809039130	11	90025304014	5, 11		
12315039230	9	17821039130	11	90025305020	17		
12315139230	9	17851039230	7	90025604016	5, 11, 15		
12318139130	13	17851539130	7	90029603014	5		
12901139130	7	17851603930	7	90033040088	17		
12902339130	15	17881039630	15	90033040238	17		
13000039131	7	2894901	19	90034540020	11		
13001239130	7	30031439130	11	90034540025	11		
13030239133	7	30101652730	11	90050000004	17		
13031039131	7, 15	35110039131	11	90050000008	5		
13033639530	13	35112339131	11	90051600005	11		
13040613932	7	35161039130	11	90056000005	17		
13105119830	13	43300539233	17	90060000008	5		
13120507320	13, 15	43300539530	17	90060300005	5		
13130056430	13	43301103931	15	90068	15		
13131239130	13	43301239131	17	90070000004	7		
13132839130	13	43301403931	19	90072100025	13		
13201039230	13	43301639131	19	90081036201	15		
13201235430	13	43301903933	17	9131805032	17		
13201239130	13	43302635430	17	917045	19		
13201326630	13	43310039430	17	917052	19		
13211501461	13	43311160531	17	917057	19		
13211539130	13	43311439130	17	A056000010	19		
13271639130	13	43311635430	17	A190000021	15		
13275839130	13	43312235430	17	A320000030	17		
140375201	19	43312339130	17	A552000000	19		
142375201	19	43312339530	17	A555000000	19		
14551013931	7, 15	43314235430	17	C032000050	17		
14564213930	7	43314739131	17	C300000040	17		
14580335532	7	43316739130	17	P021000260	19		
14585813931	7	43317139630	17	P021000270	19		
14585913930	7	43320835431	17	P021000280	11		
14586135530	7	43320935430	17	SB1019	15		
14586213931	7	43331039230	17	V103000021	7		
14587635530	7	43331039530	17	V103000120	7, 15		
15011716430	5	43331232630	17	V341000000	17		



Part Description Index

Click The Page Number After Any Part Description To View The Diagram Containing That Part.

<p>A</p> <p>ADJUSTER, BRAKE.....17 AUTO-OILER ASY.....13</p> <p>B</p> <p>BAND, BRAKE.....17 BAR, GUIDE - 12".....19 BAR, GUIDE - 14".....19 BAR, GUIDE - 16".....19 BAR, GUIDE- 12" INTENZ.....19 BAR, GUIDE- 14" INTENZ.....19 BAR, GUIDE- 16" INTENZ.....19 BEARING, BALL 6201.....15 BEARING, NEEDLE.....15, 19 BODY, CARBURETOR.....9 BOLT.....19 BOLT ASY.....7 BOLT, 5X16.....15 BOLT, MUFFLER.....7 BRACKET, PUMP.....13</p> <p>C</p> <p>CAP, CUSHION.....11 CAP, MIXTURE LIMITER.....9 CAP, OIL PUMP.....13 CAP, SPARK PLUG.....5 CAP, TANK.....13 CARBURETOR - WT-402A.....7, 9 CATCHER, CHAIN.....17 CHAIN BRAKE KIT.....17 CHAIN, SAW 91VG-45E - 12".....19 CHAIN, SAW 91VG-52E - 14".....19 CHAIN, SAW 91VG-57E - 16".....19 CIRCLIP, PISTON PIN.....15 CLEANER LID ASY.....7 CLIP.....13 CLIP, FUEL CAP.....13 CLIP, THROTTLE SHAFT.....9 CLUTCH ASY.....19 CLUTCH SHOE SET.....19 COIL, IGNITION.....5 COIL, SPARK PLUG CAP.....5 COIL,IGNITION.....5 CONNECTOR, BRAKE.....17 CONTROL,THROTTLE.....11 COVER.....15 COVER KIT, ENGINE.....15 COVER, BRAKE.....17 COVER, FUEL PUMP.....9 COVER, METERING DIAPHRAGM.....9 COVER, MUFFLER.....17 COVER, SEAL.....17 COVER, STARTER.....5 COVER, VENT.....13 CRANKCASE SET.....15 CRANKSHAFT ASY.....15 CUSHION.....11</p> <p>D</p> <p>DEFLECTOR, HEAT.....17 DIAPHRAGM, FUEL PUMP.....9 DIAPHRAGM, METERING.....9 DIAPHRAGM/GASKET KIT.....9</p>	<p>DRUM, CLUTCH.....19 DRUM, STARTER.....5</p> <p>E</p> <p>E-RING 4.....7</p> <p>F</p> <p>FILTER, AIR.....7, 15 FILTER, FUEL.....13, 15 FIXTURE, HARNESS.....11 FLANGE NUT 6.....17 FLYWHEEL.....5</p> <p>G</p> <p>GASKET, EXHAUST.....15 GASKET, FUEL PUMP.....9 GASKET, INTAKE.....7, 15 GASKET, METERING DIAPHRAGM.....9 GASKET, MUFFLER.....7 GEAR, WORM.....15 GRIP, STARTER ROPE.....5 GROMMET.....5, 13, 15 GROMMET, CHOKE.....15 GROMMET, FUEL.....13 GROMMET, IDLE.....15 GROMMET,THROTTLE.....11 GUARD, KICK KIT.....19 GUARD, SPROCKET.....17 GUIDE, EXHAUST.....7 GUIDE, ROPE.....5</p> <p>H</p> <p>HANDLE, FRONT.....11 HARNESS RING KIT.....11 HUB, CLUTCH.....19</p> <p>I</p> <p>INSULATOR KIT.....7</p> <p>K</p> <p>KEY, WOODRUFF.....15</p> <p>L</p> <p>LABEL, BAR & CHAIN - CANADA MODELS.....17 LABEL, BAR & CHAIN - US MODELS.....17 LABEL, CAUTION.....13 LABEL, ECHO.....5 LABEL, MODEL.....17 LABEL, PURGE PUMP.....13 LATCH.....15 LEAD.....5 LEVER, BRAKE.....17 LEVER, METERING.....9 LEVER, THROTTLE.....9 LID, MUFFLER.....7 LOCKNUT 5.....17 LOCKOUT,THROTTLE.....11</p> <p>M</p> <p>MAINTENANCE KIT.....15 MUFFLER.....7 MUFFLER ASY.....7</p>	<p>N</p> <p>NEEDLE, ADJUST.....13 NEEDLE, HIGH SPEED.....9 NEEDLE, LO SPEED.....9 NUT 4.....17 NUT 8.....5 NUT, FLANGE 5.....11</p> <p>O</p> <p>O-RING 25.....13</p> <p>P</p> <p>PAD, FOAM.....13 PAWL, STARTER.....5 PIN, METERING LEVER.....9 PIN, PISTON.....15 PIN, SPRING 4X20.....11 PIN, SPRING 4X25.....11 PIPE - 3X6X115.....13 PIPE KIT.....13 PIPE, FUEL - 3X6X160mm.....13 PIPE, OIL.....13 PIPE, PURGE - 3X5X70.....13 PIPE, RETURN - 2X4X42.....13 PIPE, VENT - 3X5X100.....13 PISTON KIT.....15 PLATE, CLUTCH.....19 PLATE, EYE.....7 PLATE, GUIDE.....5, 17 PLATE, PREVENT.....7 PLATE, STARTER.....5 PLUG.....13, 15 PLUG, OILER.....15 PLUG, SPARK - BPM-7A.....5, 15 PLUG, SPARK - BPMR-7A.....5 PLUG, WELCH.....9 PLUNGER.....13 PUMP, PURGE.....13</p> <p>R</p> <p>REAR HANDLE SET.....11 REPAIR KIT.....9 RING, HARNESS.....11 RING, PISTON.....15 ROD, CHOKE.....7 ROD,THROTTLE.....11 ROLLER.....17 ROLLER, 4X23.8.....17 ROPE, STARTER - 3X850mm.....5</p> <p>S</p> <p>SCREEN, INLET.....9 SCREEN, MUFFLER.....7 SCREW.....11 SCREW 3X14.....5 SCREW 4X10.....17 SCREW 4X22.....17 SCREW 5X12.....5 SCREW 5X20.....5, 17 SCREW 5X22.....5 SCREW 5X32.....17 SCREW, 4X10.....11, 15 SCREW, 4X14.....5, 11</p>
--	---	---



Part Description Index (continued)

SCREW, 4X16.....5, 11, 15
 SCREW, 4X8.....7
 SCREW, 5X12.....13
 SCREW, 5X14.....11
 SCREW, 5X18.....7
 SCREW, 5X25.....15
 SCREW, 5X35.....11
 SCREW, 5X45.....7
 SCREW, FUEL PUMP COVER.....9
 SCREW, IDLE ADJUST.....9
 SCREW, METERING DIAPHRAGM COVER.....9
 SCREW, METERING LEVER PIN.....9
 SCREW, THROTTLE LEVER.....9
 SCREW, THROTTLE VALVE.....9
 SEAL.....7
 SEAL, OIL.....15
 SHAFT, THROTTLE.....9
 SHOE, CLUTCH.....19
 SHORT BLOCK.....15
 SHUTTER, CHOKE.....7
 SILENCER.....7
 SPACER.....5, 17
 SPACER, 8X12X9.....17
 SPACER, PISTON PIN.....15
 SPACER, RATCHET.....5
 SPRING.....13, 17
 SPRING, BRAKE.....17
 SPRING, CLUTCH.....19
 SPRING, FLAT.....19
 SPRING, IDLE ADJUST.....9
 SPRING, METERING LEVER.....9
 SPRING, RETURN.....5
 SPRING, REWIND.....5
 SPRING, THROTTLE RETURN.....9, 11
 STARTER ASY.....5
 STOPPER, BRAKE.....17
 STRAINER, OIL.....13
 STUD, GUIDE BAR.....15
 SUPPORTER.....11
 SWITCH,IGNITION.....5

T

TENSIONER.....19

V

VALVE, CHECK.....13
 VALVE, INLET NEEDLE.....9
 VALVE, THROTTLE.....9

W

WASHER.....5, 7, 13
 WASHER 5.....5
 WASHER 8.....5
 WASHER, CLUTCH.....19
 WEIGHT, BRAKE.....17
 WRENCH, W/SCREWDRIVER.....19

NOTES



ECHO, INCORPORATED

400 Oakwood Road
Lake Zurich, IL 60047 USA

WWW.ECHO-USA.COM
