



AVAILABLE ATTACHMENTS & ACCESSORIES

Accessories

89850308032 Bar & Chain Cover - 17"

99988800307 Debris Shield

99988800309 CS Lanyard Strap w_Snap

Guide Bars

12A0ED3745 Guide Bar - 12" -- Standard Width

14A0ED3752 Guide Bar - 14" -- Standard Width

16A0ED3757 Guide Bar - 16" -- Standard Width

Sawing Chains

91VG45G Chain - 12" -- Standard Width

91VG52G Chain - 14" -- Standard Width

91VG57G Chain - 16" -- Standard Width

PARTS CATALOG

CS-330MX4 Chain Saw

32.6cc (CALIFORNIA ONLY)

SERIAL NUMBERS

S/N: C07411001001 - C07411999999

ECHO, INCORPORATED

400 Oakwood Road Lake Zurich, Illinois 60047 USA

WWW.ECHO-USA.COM



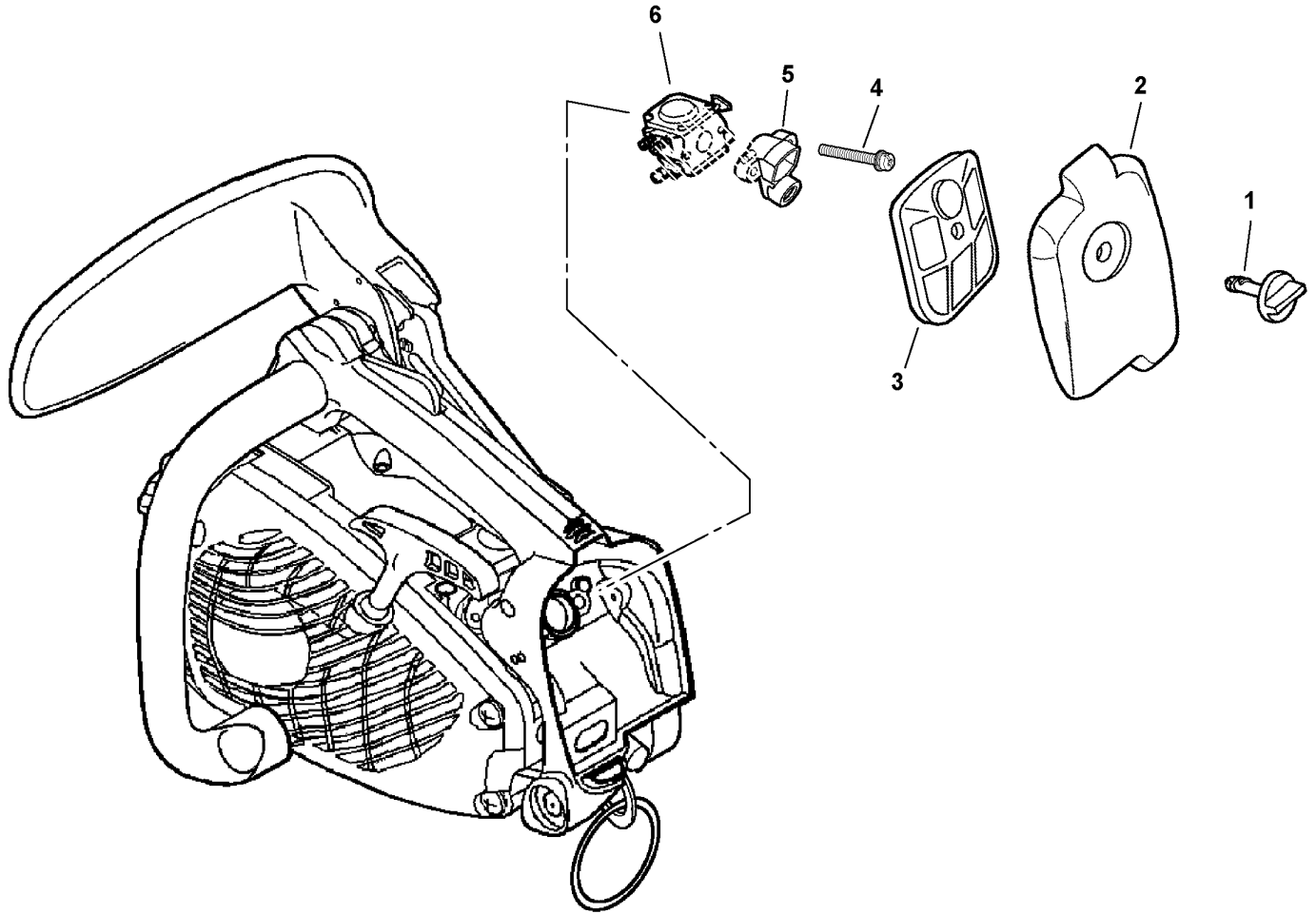
Table of Contents

Click Any Diagram Description Below To View That Diagram.

CS-330MX4 S/N: C07411001001 - C07411999999

Intake.....	4
Carburetor -- WT-739.....	6
Guide Bar, Sawing Chain.....	8
Chain Brake.....	10
Clutch.....	12
Exhaust.....	14
Handles, Throttle Control.....	16
Starter.....	18
Fuel System, Auto-Oiler.....	20
Ignition.....	22
Engine, Short Block -- SB1085.....	24
Labels.....	26
RePower Tune-Up Kit.....	28
Tools.....	30
Part Number Index.....	32
Part Description Index.....	33

This Page Intentionally Left Blank

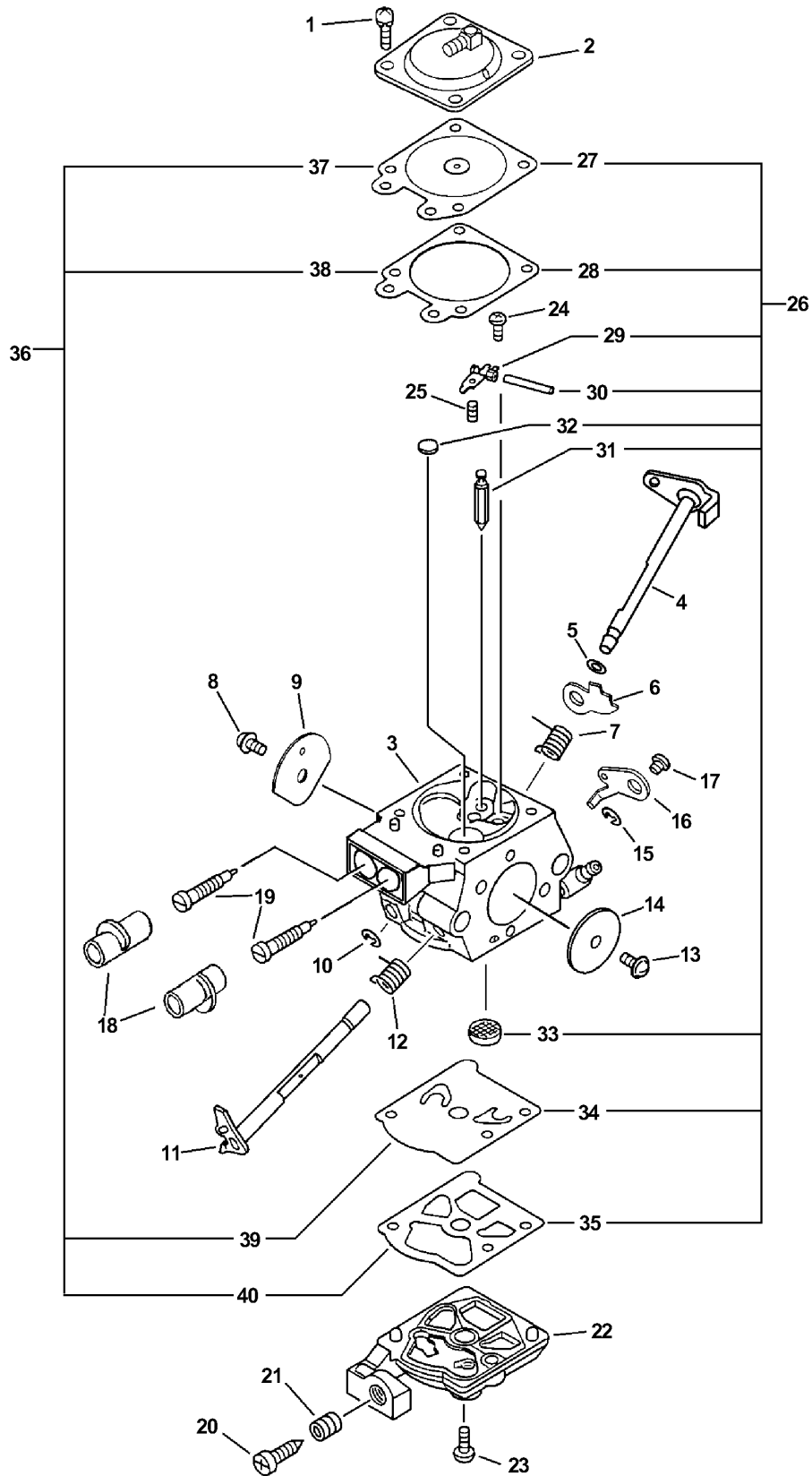


010 0006 000

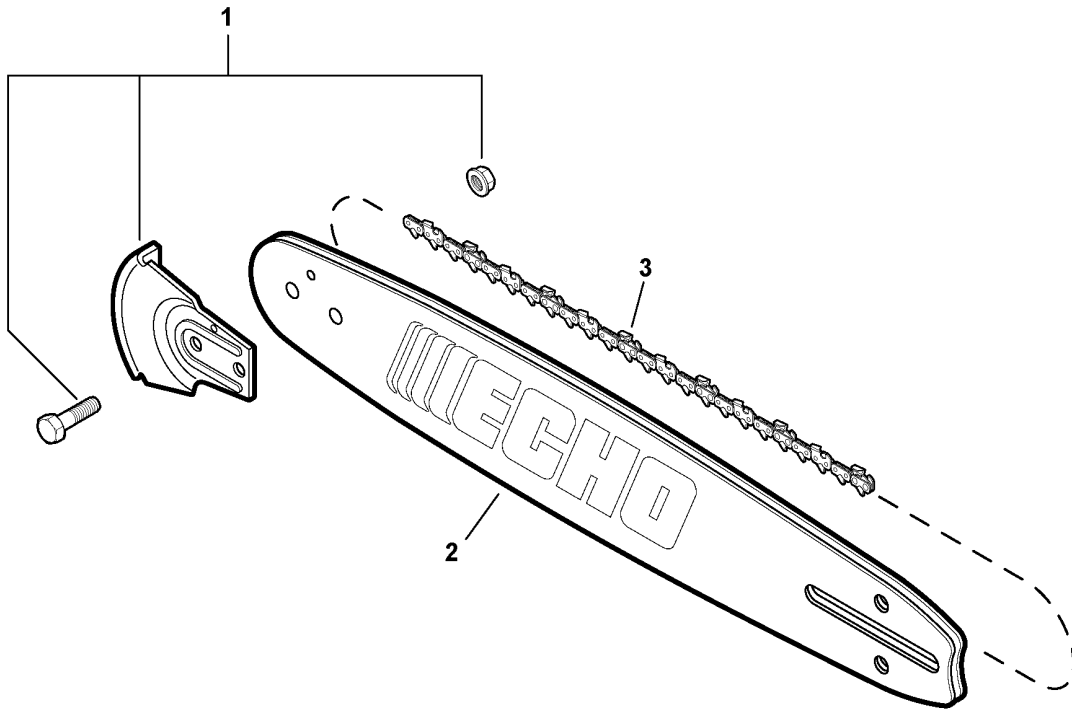
ITEM	PART NUMBER	QTY	DESCRIPTION	REMARKS
1	A235000040	1	KNOB, AIR CLEANER LID	
2	A232000290	1	LID, AIR CLEANER	
3	A226000291	1	FILTER, AIR ¹	
4	90023805050	2	SCREW 5X50	
5	A204000072	1	ELBOW, CARBURETOR	
6	-----	1	CARBURETOR ²	

Footnotes

- 1:** Also Included In REPOWER TUNE-UP KIT
- 2:** See Carburetor Diagram For Additional Information

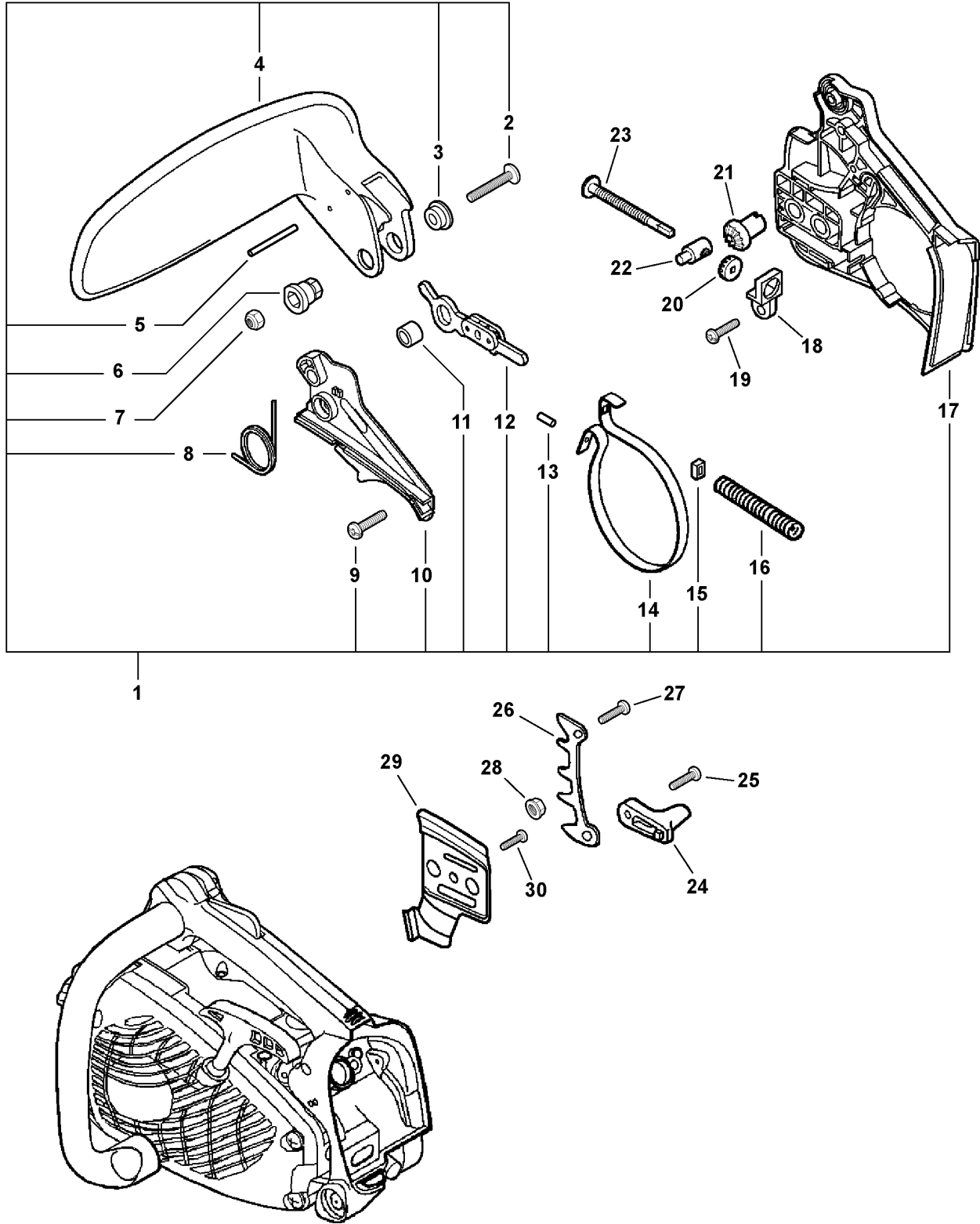


ITEM	PART NUMBER	QTY	DESCRIPTION	REMARKS
	A021001110	1	CARBURETOR -- WT-739	
1	12313002960	4	SCREW, DIAPHRAGM COVER	
2	P003001390	1	COVER, METERING DIAPHRAGM	
3	-----	1	BODY, CARBURETOR	NOT AVAILABLE SEPARATELY
4	P003001140	1	SHAFT, CHOKE	
5	12314926030	1	WASHER	
6	P003000160	1	LEVER, FAST IDLE	
7	P003000140	1	SPRING, CHOKE RETURN	
8	12311403930	1	SCREW, CHOKE VALVE	
9	P003001410	1	VALVE, CHOKE	
10	12312715030	1	CLIP, CHOKE SHAFT	
11	P003001300	1	SHAFT, THROTTLE	
12	12311337530	1	SPRING, THROTTLE RETURN	
13	12311405260	1	SCREW, THROTTLE VALVE	
14	12311610530	1	VALVE, THROTTLE	
15	12312715030	1	CLIP, THROTTLE SHAFT	
16	P003000380	1	LEVER, THROTTLE	
17	12311403930	1	SCREW, THROTTLE LEVER	
18	P003000010	2	CAP, MIXTURE LIMITER	
19	12312052131	2	NEEDLE, ADJUSTMENT	
20	P003001400	1	SCREW, IDLE ADJUST	
21	12313304260	1	SPRING, IDLE ADJUST	
22	P003001380	1	COVER, FUEL PUMP	
23	12311003930	1	SCREW, PUMP COVER	
24	12313903930	1	SCREW, METERING LEVER PIN	
25	12312203660	1	SPRING, METERING LEVER	
26	P003000250	1	REPAIR KIT	INCLUDES ITEM 27-35
27	-----	1	DIAPHRAGM, METERING	
28	-----	1	GASKET, METERING DIAPHRAGM	
29	-----	1	LEVER, METERING	
30	-----	1	PIN, METERING LEVER	
31	-----	1	VALVE, INLET NEEDLE	
32	-----	1	PLUG, WELCH	
33	-----	1	SCREEN, INLET	
34	-----	1	DIAPHRAGM, FUEL PUMP	
35	-----	1	GASKET, FUEL PUMP	
36	P003000240	1	GASKET/DIAPHRAGM KIT	INCLUDES ITEM 37-40
37	-----	1	DIAPHRAGM, METERING	
38	-----	1	GASKET, METERING DIAPHRAGM	
39	-----	1	DIAPHRAGM, FUEL PUMP	
40	-----	1	GASKET, FUEL PUMP	



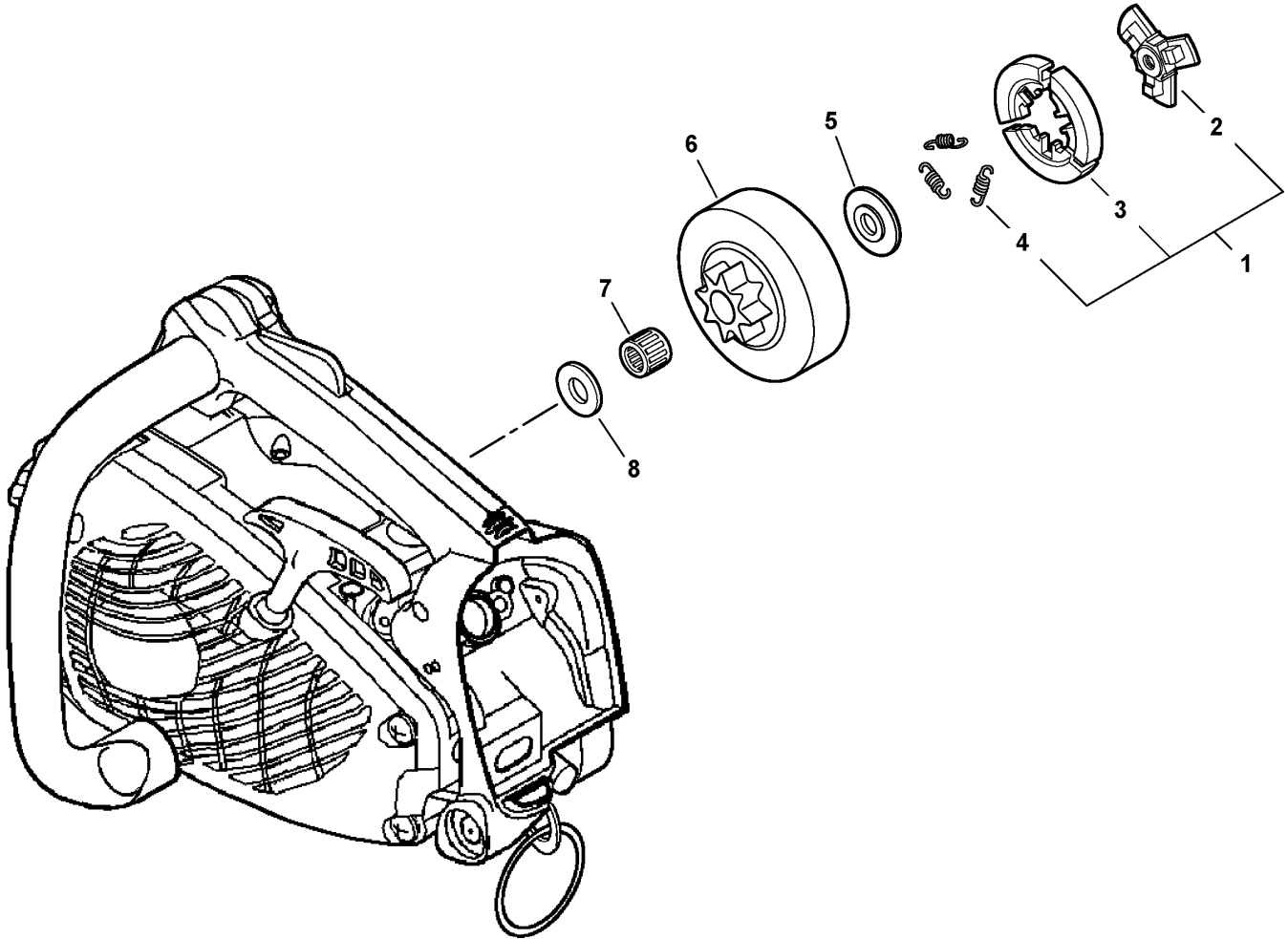
016 0004 000

ITEM	PART NUMBER	QTY	DESCRIPTION	REMARKS
1	2894901	1	KICK GUARD KIT	
2	12A0ED3745	1	GUIDE BAR - 12" -- STANDARD WIDTH	
2	14A0ED3752	1	GUIDE BAR - 14" -- STANDARD WIDTH	
2	16A0ED3757	1	GUIDE BAR - 16" -- STANDARD WIDTH	
3	91VG45G	1	SAWING CHAIN - 12" -- STANDARD WIDTH	
3	91VG52G	1	SAWING CHAIN - 14" -- STANDARD WIDTH	
3	91VG57G	1	SAWING CHAIN - 16" -- STANDARD WIDTH	



013 0006 CAM

ITEM	PART NUMBER	QTY	DESCRIPTION	REMARKS
1	C032000340	1	CHAIN BRAKE ASY	INCLUDES ITEMS 2-17
2	9131805032	1	SCREW 5X32	
3	43316739130	1	SPACER	
4	C320000090	1	LEVER, BRAKE	
5	90033030260	2	ROLLER	
6	V353000060	1	COLLAR	
7	90056250005	1	LOCKNUT	
8	V452000110	1	SPRING	
9	90025304012	3	SCREW 4X12	
10	C345000250	1	COVER, BRAKE	
11	43311635430	1	SPACER	
12	C334000070	1	CONNECTOR, BRAKE	
13	9305030098	1	ROLLER	
14	C328000030	1	BAND, BRAKE	
15	V376000450	1	SPACER	
16	V450000070	1	SPRING	
17	C300000370	1	GUARD, SPROCKET	
18	V355000140	1	COLLAR	
19	90025304012	1	SCREW 4X12	
20	V651000011	1	GEAR, BEVEL	
21	V651000001	1	GEAR, BEVEL	
22	C309000030	1	TENSIONER, CHAIN	
23	V203000041	1	BOLT	
24	43302635430	1	CATCHER, CHAIN	
25	90025305020	1	SCREW 5X20	
26	C304000000	1	BUMPER, SPIKED	
27	90025305020	1	SCREW 5X20	
28	43301903933	2	FLANGE NUT	
29	C305000080	1	PLATE, SPROCKET GUARD	
30	90025304010	1	SCREW 4X10	

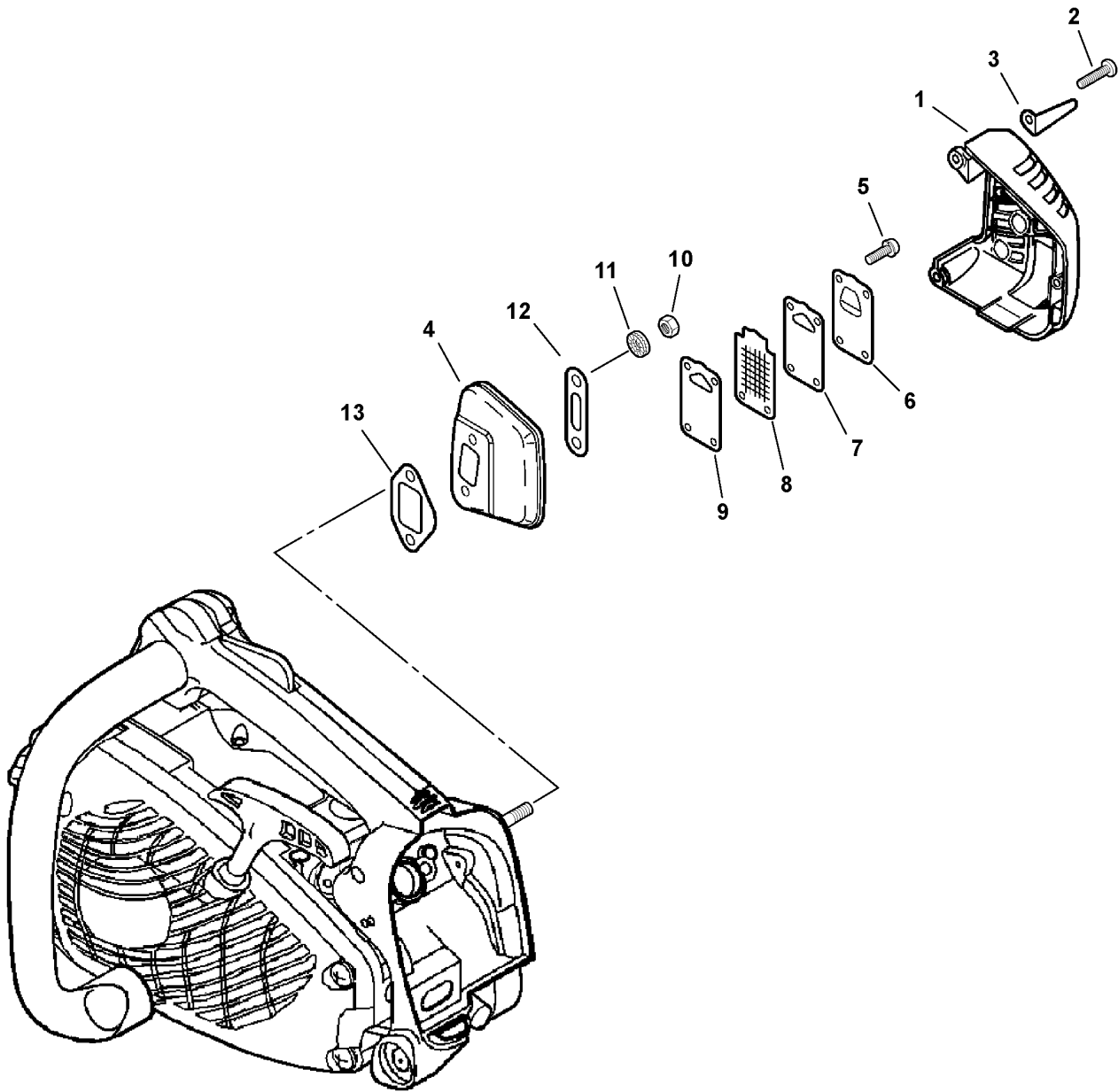


014 0004 000

CS-330MX4 Chain Saw

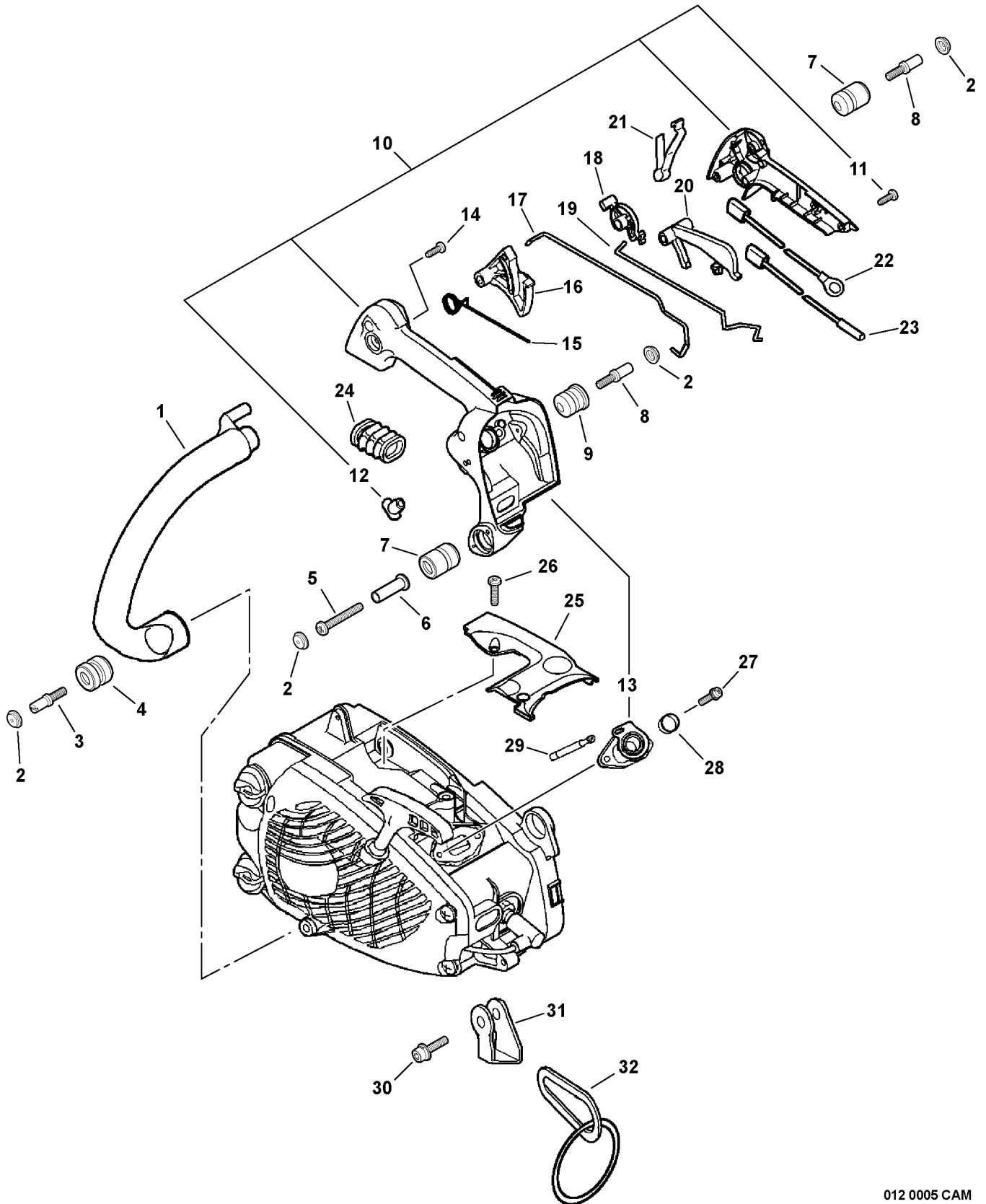
Clutch

ITEM	PART NUMBER	QTY	DESCRIPTION	REMARKS
1	A056000070	1	CLUTCH ASY	INCLUDES ITEMS 2-4
2	A552000020	1	HUB, CLUTCH	
3	P021005810	1	CLUTCH SHOE SET	
4	V451000470	3	SPRING, CLUTCH	
5	A551000010	1	PLATE, CLUTCH	
6	17500539132	1	DRUM, CLUTCH	
7	17501200831	1	BEARING, NEEDLE	
8	17501439131	1	WASHER, CLUTCH	



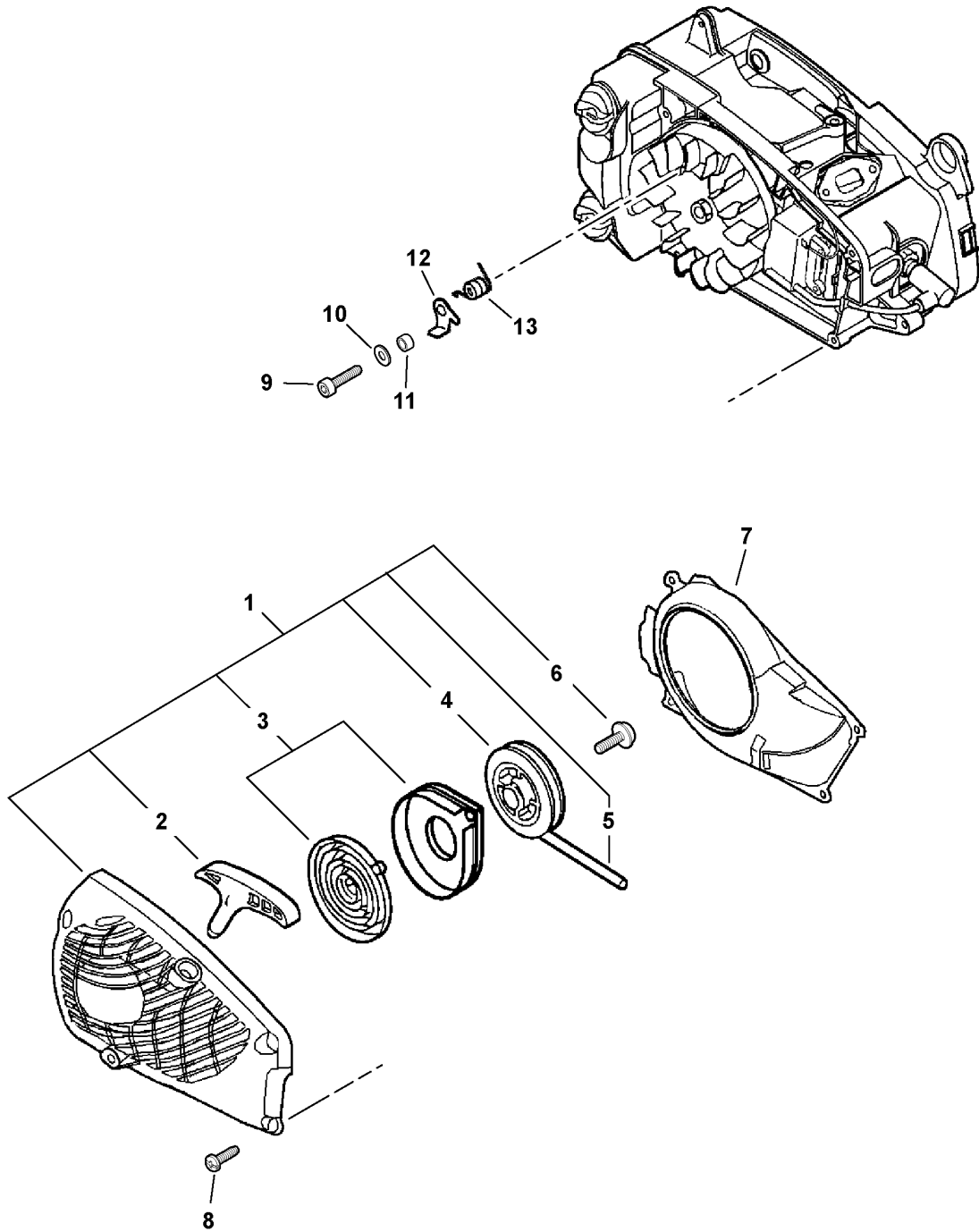
011 0005 CAM

ITEM	PART NUMBER	QTY	DESCRIPTION	REMARKS
1	A320000440	1	COVER, MUFFLER	
2	90025304016	3	SCREW 4X16	
3	V376000740	1	SPACER	
4	A300000551	1	MUFFLER	
5	9136704010	4	SCREW 4X10	
6	A313000720	1	GUIDE, EXHAUST	
7	V104000680	1	GASKET, EXHAUST	
8	A310000030	1	SCREEN	
9	A313000710	1	GUIDE, EXHAUST	
10	90050000005	2	NUT	
11	9228005000	2	WASHER	
12	14564213930	1	EYE PLATE	
13	A301000020	1	GASKET, EXHAUST	



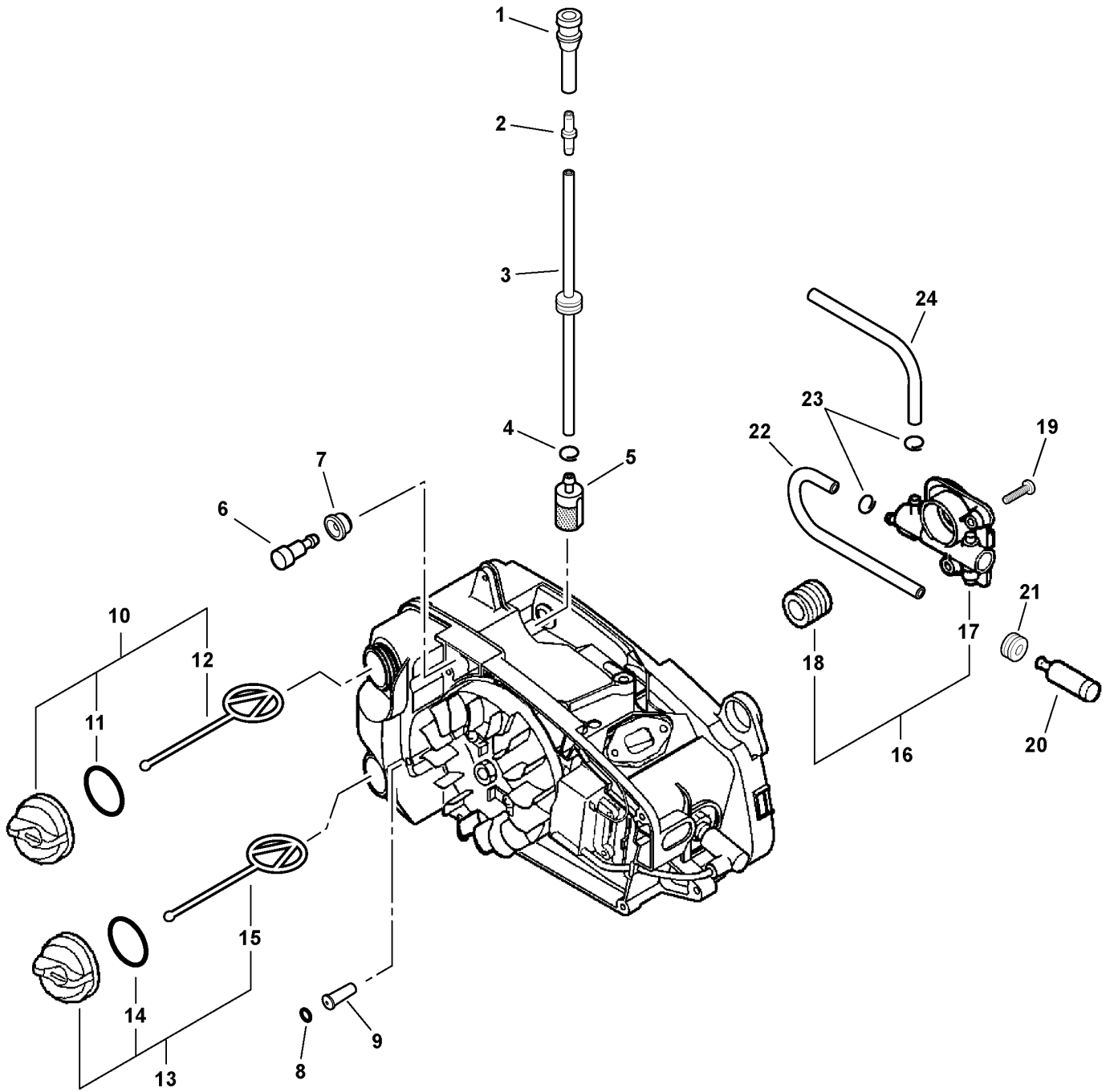
012 0005 CAM

ITEM	PART NUMBER	QTY	DESCRIPTION	REMARKS
1	C400000370	1	HANDLE, FRONT	
2	10091815130	4	CAP	
3	10091532530	1	SCREW	
4	10091060030	1	CUSHION	
5	9148104035	1	SCREW, TAPPING	
6	V352000020	1	COLLAR	
7	V400000021	2	CUSHION	
8	V202000020	2	BOLT	
9	10092139130	1	CUSHION	
10	P021009003	1	REAR HANDLE SET	INCLUDES ITEMS 11-13
11	90025604016	4	SCREW 4X16	
12	13002033330	2	NUT	
13	A202000051	1	BELLOWS, INTAKE	
14	90025305020	2	SCREW 5X20	
15	V452000010	1	SPRING, THROTTLE TRIGGER	
16	C450000010	1	TRIGGER, THROTTLE	
17	C454000070	1	ROD, THROTTLE	
18	A253000043	1	LEVER, CHOKE	
19	A240000010	1	ROD, CHOKE	
20	C460000002	1	LOCKOUT, THROTTLE	
21	V486000010	1	TERMINAL, LEAD	
22	V485000340	1	LEAD, GROUND	
23	16201055930	1	LEAD, IGNITION	
24	A239000000	1	BELLOWS, INTAKE	
25	A127000190	1	COVER, DUST	
26	90025304012	2	SCREW 4X12	
27	90023805012	2	SCREW 5X12	
28	V359000060	1	COLLAR	
29	V470000481	1	PIPE	
30	90016204025	1	BOLT 4X25	
31	C626000040	1	BRACKET, HARNESS	
32	C646000050	1	RING, HARNESS	



015 0003 CAM

ITEM	PART NUMBER	QTY	DESCRIPTION	REMARKS
1	A051001170	1	STARTER ASY	INCLUDES ITEMS 2-6
2	P022005890	1	GRIP, STARTER	
3	P022010440	1	REWIND SPRING KIT	
4	P022010451	1	DRUM, STARTER	
5	P022005900	1	ROPE, STARTER	
6	17723644330	1	SCREW	
7	A172000510	1	COVER, FAN	
8	V202000040	4	SCREW	
9	90010505014	2	SCREW 5X14	
10	90060300005	4	WASHER	
11	17724704630	2	SPACER	
12	A514000020	2	PAWL	
13	17723435430	2	SPRING, RETURN	

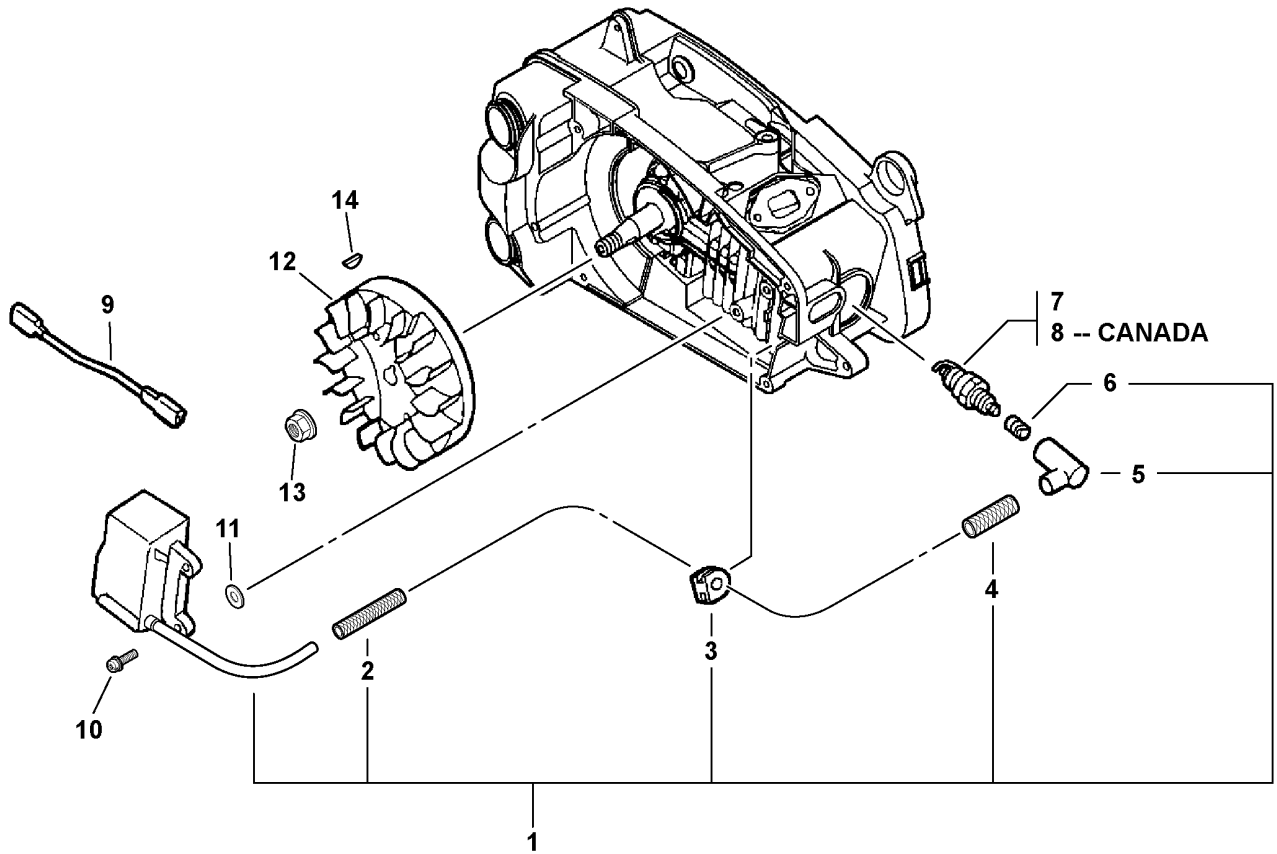


017 0003 000

ITEM	PART NUMBER	QTY	DESCRIPTION	REMARKS
1	V470000690	1	PIPE	
2	V186000020	1	JOINT, PIPE	
3	V471000710	1	FUEL PIPE ASY	
4	13201309820	1	CLIP	
5	13120507320	1	FILTER, FUEL ¹	
6	A356000030	1	VENT ASY	
7	V137000000	1	GROMMET	
8	90072400004	1	O-RING	
9	43611413930	1	VALVE, CHECK	
10	P021005591	1	FUEL CAP ASY	INCLUDES ITEMS 11-12
11	90072000018	1	O-RING	
12	A365000050	1	CONNECTOR, CAP	
13	P021005581	1	OIL CAP ASY	INCLUDES ITEMS 14-15
14	90072000018	1	O-RING	
15	A365000050	1	CONNECTOR, CAP	
16	P021001980	1	AUTO-OILER ASY	INCLUDES ITEMS 17-18
17	C022000000	1	AUTO-OILER	
18	V652000010	1	GEAR, WORM	
19	90023804012	2	SCREW 4X12	
20	43620502832	1	FILTER, OIL	
21	13211501461	1	GROMMET, FUEL	
22	13011005260	1	PIPE, IMPULSE - 3X5X185mm	
23	13201326630	2	CLIP	
24	V471000760	1	PIPE, OIL - 3X6X90mm	

Footnotes

1: Also Included In REPOWER TUNE-UP KIT

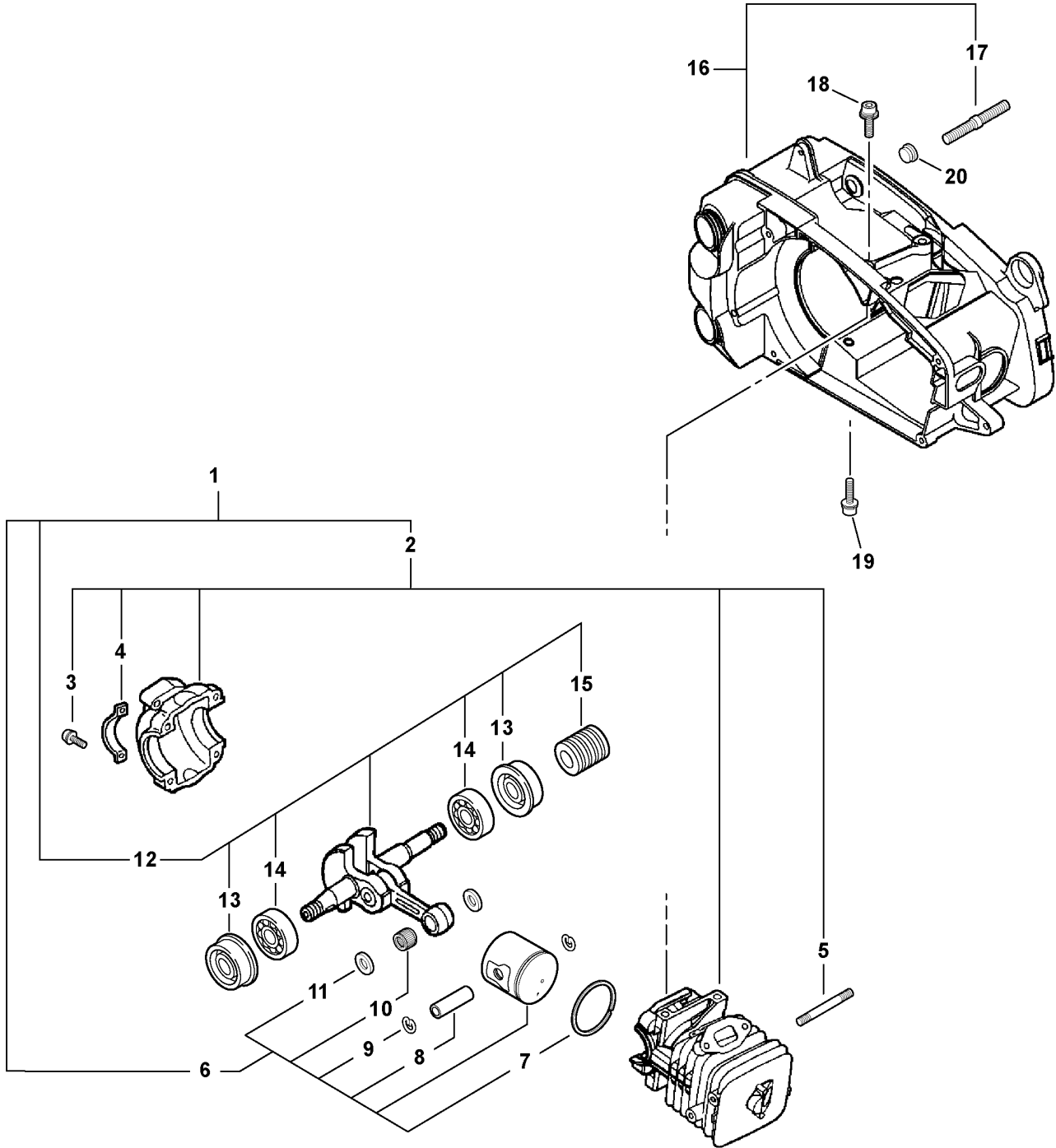


018 0004 000

ITEM	PART NUMBER	QTY	DESCRIPTION	REMARKS
1	A411000242	1	COIL KIT	INCLUDES ITEMS 2-6
2	P003001450	1	TUBE	
3	15611004920	1	BUSHING	
4	P003001440	1	TUBE	
5	A427000020	1	CAP, SPARK PLUG	
6	A426000020	1	TERMINAL, SPARK PLUG CAP	
7	15901019830	1	SPARK PLUG -- BPM-8Y ¹	
8	A425000000	1	SPARK PLUG -- BPMR-8Y ¹	
9	V485000590	1	LEAD, IGNITION	
10	90023805022	2	SCREW 5X22	
11	15011716430	2	SPACER	
12	A409000241	1	FLYWHEEL	
13	90051500008	1	FLANGE NUT	
14	10014212330	1	WOODRUFF KEY	

Footnotes

1: Also Included In REPOWER TUNE-UP KIT



SB1085 0000 CAM

ITEM	PART NUMBER	QTY	DESCRIPTION	REMARKS
1	SB1085	1	SHORT BLOCK	INCLUDES ITEMS 2-15
2	P021008951	1	CRANKCASE KIT	
3	9112805025	4	SCREW 5X25	
4	V150001670	2	BRACKET, CRANKCASE	
5	V223000000	2	BOLT, STUD	
6	P021008980	1	PISTON KIT	
7	10001116131	1	RING, PISTON	
8	10001315330	1	PIN, PISTON	
9	10001504630	2	CIRCLIP, PISTON PIN	
10	V553000040	1	BEARING, NEEDLE	
11	10001460930	2	SPACER, PISTON PIN	
12	P021008992	1	CRANKSHAFT ASY	
13	V505000010	2	OIL SEAL	
14	9403536201	2	BEARING, BALL	
15	V652000010	1	GEAR, WORM	
16	P021013670	1	COVER, ENGINE	INCLUDES ITEM 17
17	V224000030	2	STUD, GUIDE BAR	
18	90010605020	2	SCREW 5X20	
19	90010605030	2	SCREW 5X30	
20	16391130130	1	PLUG	

CS-330MX4 Chain Saw

Labels

ITEM	PART NUMBER	QTY	DESCRIPTION	REMARKS
1	89022839131	1	LABEL, CAUTION	
2	X524001710	1	LABEL, BAR & CHAIN	
3	X524001450	1	LABEL - STOP	
4	89019130131	1	LABEL - KICK BACK	
5	X503008690	1	LABEL - MODEL -- CS-330MX4	
6	X502000620	1	LABEL, ECHO	
7	X507000000	1	LABEL, FUEL/OIL	
8	X502000630	1	LABEL, ECHO	
9	X524001980	1	LABEL, CHAIN BRAKE	
10	89016006360	1	LABEL, CAUTION - HOT	
11	X505002061	1	LABEL, WARNING	
12	X524001970	1	LABEL, CHAIN OIL ADJUST	

RePower Tune-Up Kit	Contains: Service Number	Description
900100	A226000291	AIR FILTER
	13120514930	FUEL FILTER
	15901019830	SPARK PLUG BPM-8Y

<u>ITEM</u>	<u>PART NUMBER</u>	<u>QTY</u>	<u>DESCRIPTION</u>	<u>REMARKS</u>
1	900100	1	REPOWER TUNE-UP KIT	

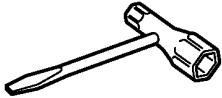
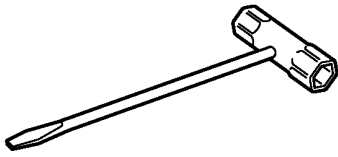
WRENCH W/SCREWDRIVER (Also Remove Spark Plugs)

1 - 89541010630 -- 17X19mm

2 - X602000020 -- 17X19mm

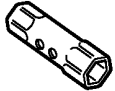
3 - 89541039131 -- 10X19mm

4 - 89541006960 -- 13X19mm



BOX WRENCH

5 - X602000031 -- 17X14.5mm



LOCKING BAR

6 - 89751801131 -- 5X120mm



SPANNER

7 - 89511200330 -- 8X10mm

8 - 89512220960 -- 17X19mm



9 - 89501505260 -- 10mm



HEX BAR

10 - 89541220960 -- 10mm



L-WRENCH

11 - 89561203430 -- 3mm



12 - 89561000130 -- 4mm

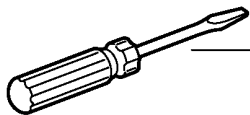


13 - 89561100330 -- 5mm

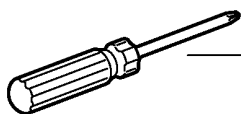


SCREWDRIVER

14 - 89581100130 -- 125mm



15 - 89581203930 -- 50mm



200 0001 000

ITEM	PART NUMBER	QTY	DESCRIPTION	REMARKS
1	89541010630	1	WRENCH/SCREWDRIVER -- 17X19mm	
2	X602000020	1	WRENCH/SCREWDRIVER -- 17X19mm	
3	89541039131	1	WRENCH/SCREWDRIVER -- 10X19mm	
4	89541006960	1	WRENCH/SCREWDRIVER -- 13X19mm	
5	X602000031	1	BOX WRENCH -- 17X14.5mm	
6	89751801131	1	LOCKING BAR -- 5X120mm	
7	89511200330	1	SPANNER -- 8X10mm	
8	89512220960	1	SPANNER -- 17X19mm	
9	89501505260	1	SPANNER -- 10mm	
10	89541220960	1	HEX BAR -- 10mm	
11	89561203430	1	L-WRENCH -- 3mm	
12	89561000130	1	L-WRENCH -- 4mm	
13	89561100330	1	L-WRENCH -- 5mm	
14	89581100130	1	SCREWDRIVER -- 125mm	
15	89581203930	1	SCREWDRIVER -- 50mm	



Part Number Index

Click The Page Number After Any Part Number To View The Diagram Containing That Part.

Part Number	Page	Part Number	Page	Part Number	Page
-----	5, 7	90023805022	23	P003000250	7
10001116131	25	90023805050	5	P003000380	7
10001315330	25	90025304010	11	P003001140	7
10001460930	25	90025304012	11, 17	P003001300	7
10001504630	25	90025304016	15	P003001380	7
10014212330	23	90025305020	11, 17	P003001390	7
10091060030	17	90025604016	17	P003001400	7
10091532530	17	90033030260	11	P003001410	7
10091815130	17	90050000005	15	P003001440	23
10092139130	17	90051500008	23	P003001450	23
12311003930	7	90056250005	11	P021001980	21
12311337530	7	90060300005	19	P021005581	21
12311403930	7	90072000018	21	P021005591	21
12311405260	7	90072400004	21	P021005810	13
12311610530	7	9112805025	25	P021008951	25
12312052131	7	9131805032	11	P021008980	25
12312203660	7	9136704010	15	P021008992	25
12312715030	7	9148104035	17	P021009003	17
12313002960	7	91VG45G	9	P021013670	25
12313304260	7	91VG52G	9	P022005890	19
12313903930	7	91VG57G	9	P022005900	19
12314926030	7	9228005000	15	P022010440	19
12A0ED3745	9	9305030098	11	P022010451	19
13002033330	17	9403536201	25	SB1085	25
13011005260	21	A021001110	7	V104000680	15
13120507320	21	A051001170	19	V137000000	21
13201309820	21	A056000070	13	V150001670	25
13201326630	21	A127000190	17	V186000020	21
13211501461	21	A172000510	19	V202000020	17
14564213930	15	A202000051	17	V202000040	19
14A0ED3752	9	A204000072	5	V203000041	11
15011716430	23	A226000291	5	V223000000	25
15611004920	23	A232000290	5	V224000030	25
15901019830	23	A235000040	5	V352000020	17
16201055930	17	A239000000	17	V353000060	11
16391130130	25	A240000010	17	V355000140	11
16A0ED3757	9	A253000043	17	V359000060	17
17500539132	13	A300000551	15	V376000450	11
17501200831	13	A301000020	15	V376000740	15
17501439131	13	A310000030	15	V400000021	17
17723435430	19	A313000710	15	V450000070	11
17723644330	19	A313000720	15	V451000470	13
17724704630	19	A320000440	15	V452000010	17
2894901	9	A356000030	21	V452000110	11
43301903933	11	A365000050	21	V470000481	17
43302635430	11	A409000241	23	V470000690	21
43311635430	11	A411000242	23	V471000710	21
43316739130	11	A425000000	23	V471000760	21
43611413930	21	A426000020	23	V485000340	17
43620502832	21	A427000020	23	V485000590	23
89016006360	27	A514000020	19	V486000010	17
89019130131	27	A551000010	13	V505000010	25
89022839131	27	A552000020	13	V553000040	25
89501505260	31	C022000000	21	V651000001	11
89511200330	31	C032000340	11	V651000011	11
89512220960	31	C300000370	11	V652000010	21, 25
89541006960	31	C304000000	11	X502000620	27
89541010630	31	C305000080	11	X502000630	27
89541039131	31	C309000030	11	X503008690	27
89541220960	31	C320000090	11	X505002061	27
89561000130	31	C328000030	11	X507000000	27
89561100330	31	C334000070	11	X524001450	27
89561203430	31	C345000250	11	X524001710	27
89581100130	31	C400000370	17	X524001970	27
89581203930	31	C450000010	17	X524001980	27
89751801131	31	C454000070	17	X602000020	31
900100	29	C460000002	17	X602000031	31
90010505014	19	C626000040	17		
90010605020	25	C646000050	17		
90010605030	25	P003000010	7		
90016204025	17	P003000140	7		
90023804012	21	P003000160	7		
90023805012	17	P003000240	7		



Part Description Index

Click The Page Number After Any Part Description To View The Diagram Containing That Part.

<p>A</p> <p>AUTO-OILER.....21 AUTO-OILER ASY.....21</p> <p>B</p> <p>BAND, BRAKE.....11 BEARING, BALL.....25 BEARING, NEEDLE.....13, 25 BELLOWS, INTAKE.....17 BODY, CARBURETOR.....7 BOLT.....11, 17 BOLT 4X25.....17 BOLT, STUD.....25 BOX WRENCH -- 17X14.5mm.....31 BRACKET, CRANKCASE.....25 BRACKET, HARNESS.....17 BUMPER, SPIKED.....11 BUSHING.....23</p> <p>C</p> <p>CAP.....17 CAP, MIXTURE LIMITER.....7 CAP, SPARK PLUG.....23 CARBURETOR.....5 CARBURETOR -- WT-739.....7 CATCHER, CHAIN.....11 CHAIN BRAKE ASY.....11 CIRCLIP, PISTON PIN.....25 CLIP.....21 CLIP, CHOKE SHAFT.....7 CLIP, THROTTLE SHAFT.....7 CLUTCH ASY.....13 CLUTCH SHOE SET.....13 COIL KIT.....23 COLLAR.....11, 17 CONNECTOR, CAP.....21 CONNECTOR, BRAKE.....11 COVER, BRAKE.....11 COVER, DUST.....17 COVER, ENGINE.....25 COVER, FAN.....19 COVER, FUEL PUMP.....7 COVER, METERING DIAPHRAGM.....7 COVER, MUFFLER.....15 CRANKCASE KIT.....25 CRANKSHAFT ASY.....25 CUSHION.....17</p> <p>D</p> <p>DIAPHRAGM, FUEL PUMP.....7 DIAPHRAGM, METERING.....7 DRUM, CLUTCH.....13 DRUM, STARTER.....19</p> <p>E</p> <p>ELBOW, CARBURETOR.....5 EYE PLATE.....15</p> <p>F</p> <p>FILTER, AIR.....5 FILTER, FUEL.....21 FILTER, OIL.....21</p>	<p>FLANGE NUT.....11, 23 FLYWHEEL.....23 FUEL CAP ASY.....21 FUEL PIPE ASY.....21</p> <p>G</p> <p>GASKET, EXHAUST.....15 GASKET, FUEL PUMP.....7 GASKET, METERING DIAPHRAGM.....7 GASKET/DIAPHRAGM KIT.....7 GEAR, BEVEL.....11 GEAR, WORM.....21, 25 GRIP, STARTER.....19 GROMMET.....21 GROMMET, FUEL.....21 GUARD, SPROCKET.....11 GUIDE BAR - 12" -- STANDARD WIDTH.....9 GUIDE BAR - 14" -- STANDARD WIDTH.....9 GUIDE BAR - 16" -- STANDARD WIDTH.....9 GUIDE, EXHAUST.....15</p> <p>H</p> <p>HANDLE, FRONT.....17 HEX BAR -- 10mm.....31 HUB, CLUTCH.....13</p> <p>J</p> <p>JOINT, PIPE.....21</p> <p>K</p> <p>KICK GUARD KIT.....9 KNOB, AIR CLEANER LID.....5</p> <p>L</p> <p>LABEL - KICK BACK.....27 LABEL - MODEL -- CS-330MX4.....27 LABEL - STOP.....27 LABEL, BAR & CHAIN.....27 LABEL, CAUTION.....27 LABEL, CAUTION - HOT.....27 LABEL, CHAIN BRAKE.....27 LABEL, CHAIN OIL ADJUST.....27 LABEL, ECHO.....27 LABEL, FUEL/OIL.....27 LABEL, WARNING.....27 LEAD, GROUND.....17 LEAD, IGNITION.....17, 23 LEVER, BRAKE.....11 LEVER, CHOKE.....17 LEVER, FAST IDLE.....7 LEVER, METERING.....7 LEVER, THROTTLE.....7 LID, AIR CLEANER.....5 LOCKING BAR -- 5X120mm.....31 LOCKNUT.....11 LOCKOUT, THROTTLE.....17 L-WRENCH -- 3mm.....31 L-WRENCH -- 4mm.....31 L-WRENCH -- 5mm.....31</p> <p>M</p> <p>MUFFLER.....15</p>	<p>N</p> <p>NEEDLE, ADJUSTMENT.....7 NUT.....15, 17</p> <p>O</p> <p>OIL CAP ASY.....21 OIL SEAL.....25 O-RING.....21</p> <p>P</p> <p>PAWL.....19 PIN, METERING LEVER.....7 PIN, PISTON.....25 PIPE.....17, 21 PIPE, IMPULSE - 3X5X185mm.....21 PIPE, OIL - 3X6X90mm.....21 PISTON KIT.....25 PLATE, CLUTCH.....13 PLATE, SPROCKET GUARD.....11 PLUG.....25 PLUG, WELCH.....7</p> <p>R</p> <p>REAR HANDLE SET.....17 REPAIR KIT.....7 REPOWER TUNE-UP KIT.....29 REWIND SPRING KIT.....19 RING, HARNESS.....17 RING, PISTON.....25 ROD, CHOKE.....17 ROD, THROTTLE.....17 ROLLER.....11 ROPE, STARTER.....19</p> <p>S</p> <p>SAWING CHAIN - 12" -- STANDARD WIDTH..... 9 SAWING CHAIN - 14" -- STANDARD WIDTH..... 9 SAWING CHAIN - 16" -- STANDARD WIDTH..... 9 SCREEN.....15 SCREEN, INLET.....7 SCREW.....17, 19 SCREW 4X10.....11, 15 SCREW 4X12.....11, 17, 21 SCREW 4X16.....15, 17 SCREW 5X12.....17 SCREW 5X14.....19 SCREW 5X20.....11, 17, 25 SCREW 5X22.....23 SCREW 5X25.....25 SCREW 5X30.....25 SCREW 5X32.....11 SCREW 5X50.....5 SCREW, CHOKE VALVE.....7 SCREW, DIAPHRAGM COVER.....7 SCREW, IDLE ADJUST.....7 SCREW, METERING LEVER PIN.....7 SCREW, PUMP COVER.....7 SCREW, TAPPING.....17 SCREW, THROTTLE LEVER.....7 SCREW, THROTTLE VALVE.....7</p>
--	---	--



Part Description Index (continued)

SCREWDRIVER -- 125mm.....31
 SCREWDRIVER -- 50mm.....31
 SHAFT, CHOKE.....7
 SHAFT, THROTTLE.....7
 SHORT BLOCK.....25
 SPACER.....11, 15, 19, 23
 SPACER, PISTON PIN.....25
 SPANNER -- 10mm.....31
 SPANNER -- 17X19mm.....31
 SPANNER -- 8X10mm.....31
 SPARK PLUG -- BPM-8Y.....23
 SPARK PLUG -- BPMR-8Y.....23
 SPRING.....11
 SPRING, CHOKE RETURN.....7
 SPRING, CLUTCH.....13
 SPRING, IDLE ADJUST.....7
 SPRING, METERING LEVER.....7
 SPRING, RETURN.....19
 SPRING, THROTTLE RETURN.....7
 SPRING, THROTTLE TRIGGER.....17
 STARTER ASY.....19
 STUD, GUIDE BAR.....25

T

TENSIONER, CHAIN.....11
 TERMINAL, LEAD.....17
 TERMINAL, SPARK PLUG CAP.....23
 TRIGGER, THROTTLE.....17
 TUBE.....23

V

VALVE, CHECK.....21
 VALVE, CHOKE.....7
 VALVE, INLET NEEDLE.....7
 VALVE, THROTTLE.....7
 VENT ASY.....21

W

WASHER.....7, 15, 19
 WASHER, CLUTCH.....13
 WOODRUFF KEY.....23
 WRENCH/SCREWDRIVER -- 10X19mm.....31
 WRENCH/SCREWDRIVER -- 13X19mm.....31
 WRENCH/SCREWDRIVER -- 17X19mm.....31

NOTES



ECHO, INCORPORATED

400 Oakwood Road
Lake Zurich, IL 60047 USA

WWW.ECHO-USA.COM
