

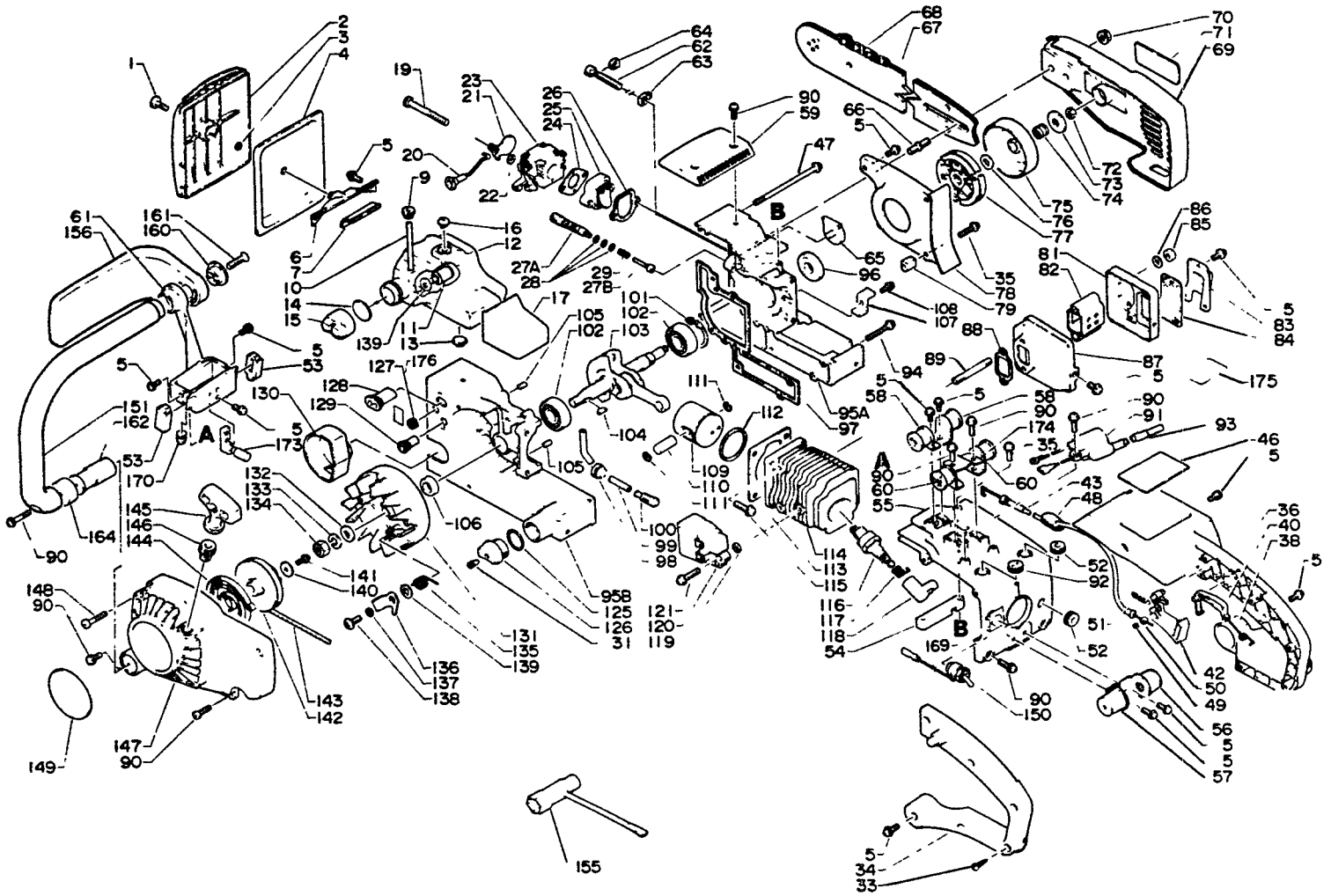


PARTS CATALOGUE

**ECHO
CHAIN SAW
CS-290EVL
CS-290EVL P**



CS-290EVL



Key No.	Part No.	Q'ty	Description	Key No.	Part No.	Q'ty	Description
1- *	130 302-1503 2	1	Cover ass'y, air cleaner	1- 22	178 516-0393 0	1	Spacer
1	-130 406-1393 2	1	Thumb bolt	23	125 200-1393 2	1	Carburetor CIS-K1B
2	-130 313-1503 2	1	Cover, air cleaner	24	130 016-0643 1	1	Gasket
3	-900 700-0000 4	1	Circlip 4	(A) 25	130 000-1393 2	1	Insulator
4	130 310-1393 0	1	Air filter	26	130 010-1393 0	1	Gasket
5	900 242-0401 0	17	Screw 4 x 10	27	437 000-1123 0	1	Auto. oiler ass'y
6	130 405-1393 1	1	Bracket, air filter	28	-437 020-0283 0	3	O-ring
7	131 920-1393 0	1	Cushion	29	-437 019-0283 0	1	Coil spring
9	132 115-0146 0	1	Grommet	33	900 249-0401 6	5	Tapping screw 4 x 16
10	132 010-1393 2	1	Fuel pipe	34	351 909-1503 1	1	Rear handle (B)
11	131 205-0083 0	1	Fuel strainer	35	900 242-0402 0	3	Screw 4 x 20
*12	131 010-1393 0	1	Fuel tank	36	351 110-1503 2	1	Rear handle (A)
13	100 223-1393 1	1	Cushion	38	178 091-1503 0	1	Spring
**	131 004-1393 2	1	Cap ass'y, fuel tank	40	178 090-1503 1	1	Throttle control lockout
14	-131 016-1393 1	1	Gasket, fuel tank	42	178 010-1503 1	1	Throttle trigger
15	-131 017-1393 2	1	Cap. fuel tank	43	178 001-1503 1	1	Throttle wire
*16	131 314-0033 0	1	Check valve	46	890 151-1533 1	1	Decal
17	131 924-1393 0	1	Cushion	47	100 244-1393 0	2	Screw
19	900 242-0505 0	2	Screw 5x50	48	178 215-1503 1	1	Grommet
20	178 510-1393 0	1	Choke rod	49	178 068-1503 0	1	Set screw
21	178 515-1393 0	1	Choke shutter				

898 595-1533 6

* SEE PARTS BULL. 87-11

(A) To improve idling performance, see bulletin 626

o.	Part No.	Q'ty	Description	Key No.	Part No.	Q'ty	Description
1- 50	178 026-1503 0	1	Wire end	1- 109	100 010-1393 1	1	Piston
51	178 043-1503 0	1	Throttle spring	110	100 013-1393 0	1	Piston pin
52	150 112-0031 0	2	Grommet	111	100 015-0463 0	2	Circlip
53	351 134-1503 1	2	Stopper	112	100 011-0573 1	1	Piston ring
54	101 584-1503 0	1	Spacer	113	101 010-1393 0	1	Gasket, cyl. base
55	101 514-1503 1	1	Cylinder cover	93	156 611-1503 0	1	Tube
56	351 907-1053 1	1	Cushion (R)	114	101 034-1503 0	1	Cylinder
57	351 107-1053 1	1	Cushion (L)	115	900 242-0502 0	4	Screw 5 x 20
59	130 348-1503 1	1	Cover, intake	116	159 010-1393 0	1	Spark plug CJ-8Y
60	351 112-1503 1	2	Cushion (U)	117	159 011-0051 0	1	Coil spring, plug cap
61	351 614-1533 0	1	Supporter	118	159 012-0162 0	1	Cap, spark plug
58	351 618-1503 1	2	Cushion	119	152 117-0553 0	2	Spacer
62	433 016-1393 1	1	Adjusting screw	120	156 601-1503 0	1	C.D. Ignition module
63	433 014-1123 0	1	Tensioner	121	900 242-0502 2	2	Screw 5 x 22
64	433 028-1103 0	1	Clip	****	436 001-1393 2	1	Cap ass'y, oil tank
65	100 614-1393 0	1	Plug	31	-436 114-1393 0	1	Check valve (S)
66	433 011-1393 0	2	Stud	125	-900 720-0001 6	1	O-ring 16
67		1	Guide bar	126	-436 013-1393 2	1	Cap, oil tank
68		1	Saw chain	127	178 810-0333 0	1	Grommet
69	433 005-1393 0	1	Cover, guide bar	128	129 010-1393 0	1	Grommet
70	433 019-0393 2	2	Flange nut 6	129	129 015-1393 0	1	Grommet
71	890 137-1393 1	1	Decal	130	131 038-1393 0	1	Seal
72	100 139-0393 0	1	Nut	131	156 800-1393 0	1	Flywheel
73	175 015-1393 1	1	Washer	132	900 600-0000 8	1	Washer 8
74	175 012-0393 0	1	Needle bearing	133	900 605-0000 8	1	Spring washer 8
75	175 005-1393 1	1	Clutch case 3/8	134	900 502-0000 8	1	Nut 8
76	175 014-1123 1	1	Washer	135	177 234-1393 0	2	Return spring
77	175 000-1393 0	1	Clutch ass'y	136	177 218-1393 0	2	Ratchet
78	175 305-1393 0	1	Seal plate	137	177 247-0463 0	2	Spacer
79	175 311-1393 0	1	Spacer	138	177 217-1393 0	2	Screw
	145 803-1393 1	1	Muffler ass'y	139	900 603-0000 5	3	Washer
5	-900 242-0401 0	4	Screw 4 x 10	*****	177 200-1393 1	1	Recoil starter ass'y
81	-145 861-1393 0	1	Lid	140	-177 214-0463 0	1	Washer
82	-145 858-1393 0	1	Adapter	141	-900 241-0401 0	1	Screw 4 x 10
83	-145 876-1393 1	1	Muffler lid	142	-177 215-0653 0	1	Recoil drum
84	-145 862-1393 1	1	Screen	143	-177 226-0653 0	1	Rope
87	-145 858-1393 1	1	Muffler	144	-177 220-0653 0	1	Rewind spring
88	-145 510-1393 0	1	Gasket	145	-177 228-1113 0	1	Starter handle
85	433 020-0083 0	2	Lock nut	146	-177 227-0533 0	1	Rope guide
86	900 602-0000 5	2	Washer 5	147	-101 507-1393 1	1	Fan cover
89	101 014-0713 1	2	Stud	148	900 242-0402 5	2	Screw 4 x 25
90	900 242-0401 6	12	Screw 4 x 16	149	890 012-1113 3	1	Decal
91	156 626-1503 0	1	Ignition coil	150	163 400-1503 0	1	Switch
92	150 614-0291 0	1	Grommet	151	351 606-1503 1	1	Front handle
94	900 242-0403 0	7	Screw 4x30	155	895 410-0393 0	1	Wrench w/s. driver
95	100 200-1503 1	1	Crankcase set	156	351 826-1503 2	1	Guard, front
105	-100 215-0393 0	2	Knock pin	160	351 646-1493 0	1	Holder, guard
96	100 213-0393 0	1	Oil seal	161	900 214-0502 5	1	Screw 5 x 25
97	100 242-1393 2	1	Gasket, crankcase	162	351 621-1503 0	1	Cushion
98	132 115-1113 0	1	Grommet	169	890 157-1503 0	1	Decal, switch
99	437 210-1393 0	1	Oil pipe	170	100 251-1023 0	1	Cushion
100	436 205-0283 2	1	Oil strainer	164	351 638-1493 0	1	Stopper
101	900 702-0003 2	1	Circlip 32	173	351 648-1503 0	1	Stopper
102	900 810-3620 1	2	Ball bearing 6201	174	351 649-1503 0	1	Stopper
103	100 100-1393 1	1	Crankshaft ass'y	175	890 176-1303 1	1	Decal, noise
104	100 131-0652 0	1	Woodruff key	176	890 121-1233 1	1	Decal, choke
106	100 212-1123 0	1	Oil seal				
107	433 000-1393 1	1	Chain catcher				
108	-900 242-0501 0	1	Screw 5x10				

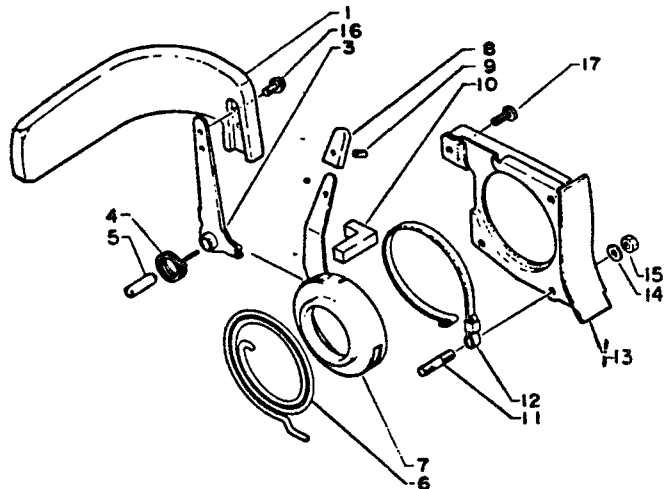
Remarks:

- *: Consists of 1 thru 3.
- ** : Consists of 14 and 15.
- ***: Consists of 5, 81 thru 84, 87 and 88.
- ****: Consists of 31, 125 and 126.
- *****: Consists of 140 thru 147.
- 95: Includes 105.
- 107: Includes 108.
- 27: Includes 28 and 29.

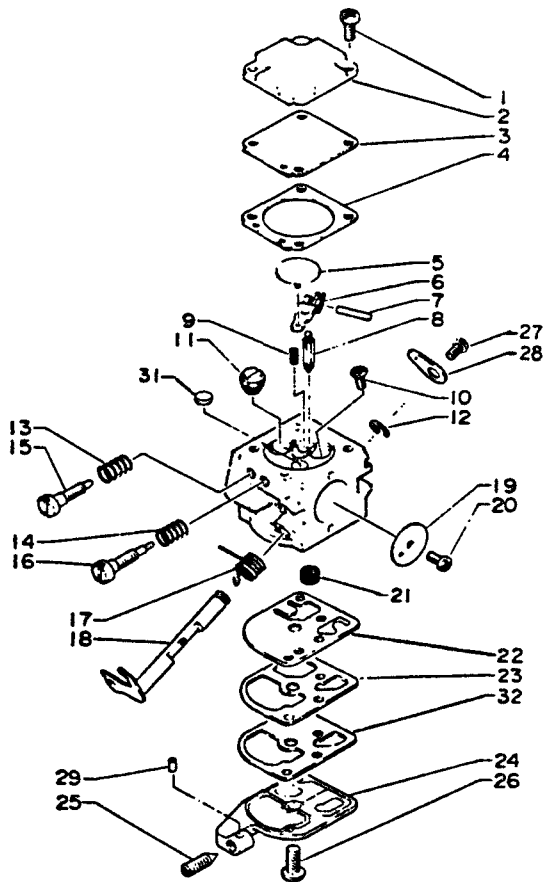
Chain brake type

The following parts shown in front page are changed on chain brake type.

Key No.	Delete	Insert		Description
		Q'ty	Q'ty	
1- 5	-	17	-	16 Screw 4 x 10
35	900 242-0402 0	1	-	Screw 4 x 20
65	100 614-1393 0	1	-	Plug
78	175 305-1393 0	1	-	Seal plate
79	175 311-1393 0	1	-	Spacer
156	351 826-1503 2	1	-	Guard, front
160	351 646-1493 0	1	-	Holder, guard
161	900 214-0502 5	1	900 214-0501 2	1 Screw 5x12



Key No.	Part No.	Q'ty	Description
2- 1	433 111-1393 0	1	Brake handle
3	433 112-1393 0	1	Arm
4	433 114-1393 0	1	Spring
5	900 334-6002 0	1	Shaft
6	433 122-1393 0	1	Brake spring
7	433 109-1393 1	1	Band case
8	433 152-1393 0	1	Grip
9	900 340-3000 8	1	Spring pin 3 x 8
10	433 313-1393 0	1	Dust seal
11	433 130-1393 0	1	Stud
12	433 123-1393 2	1	Brake band
13	433 305-1393 1	1	Seal plate
14	177 214-0393 0	1	Washer
15	900 500-0000 4	1	Nut 4
16	900 242-0401 2	2	Screw 4x12
17	900 220-0401 0	1	Screw 4 x 10



Key No.	Part No.	Q'ty	Description
3- 1	125 200-1393 2	1	Carburetor ass'y C1S-K1B
2	-125 344-1393 0	4	Screw
3	-125 342-1393 0	1	Cover, diaphragm
4	A B	1	Diaphragm
	A B	1	Gasket, diaphragm
5	-125 375-1393 0	1	Disc
6	A	1	Valve arm
7	A	1	Arm pin
8	A	1	Needle valve
9	A	1	Coil spring
10	-125 339-1393 0	1	Screw
11	A	1	Orifice, main fuel
12	-125 327-1393 0	1	Clip
13, 14	-125 319-1393 0	2	Coil spring
15	-125 320-1393 0	1	Needle, high speed
16	-125 318-1393 0	1	Needle, idle
17	-125 313-1393 0	1	Return spring, throttle
18	-125 317-1393 0	1	Throttle shaft
19	-125 316-1393 0	1	Throttle shutter
20	A	1	Screw
21	A	1	Screen
22	A B	1	Diaphragm, fuel pump
23	A B	1	Gasket, fuel pump
24	-125 324-1393 1	1	Pump cover
25	-125 334-1393 0	1	Screw, idle adjustment
26	-125 310-1393 0	1	Screw
27	-125 348-1393 0	1	Screw
28	-125 350-1393 1	1	Throttle lever
29	-125 378-1393 0	1	Friction piece
31	-125 345-1393 0	1	Welsh plug
32	A B	1	Diaphragm surge

NOTE: To improve idling performance, see bulletin 626.

Remark:

Consists of 1 thru 32.

A: Repair Kit 125 300-1513 0

B: Gasket/Diaphragm Kit 125 301-1513 0