

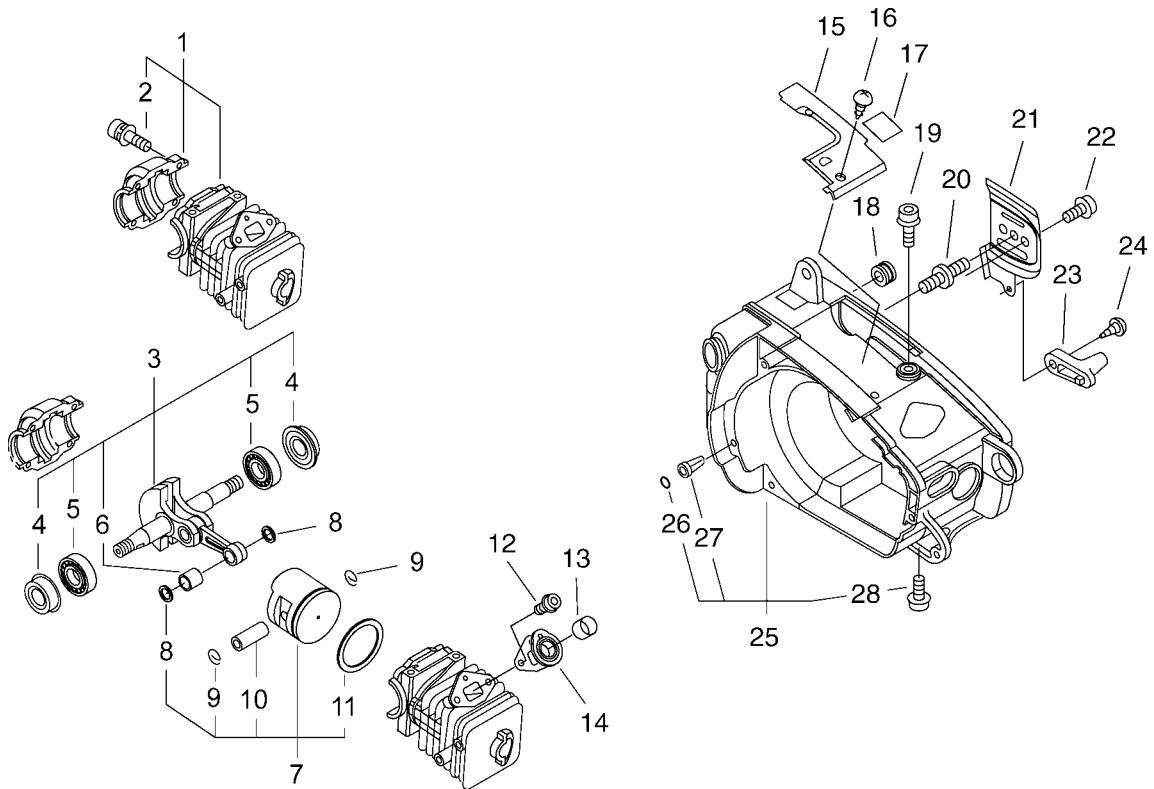


PARTS CATALOGUE

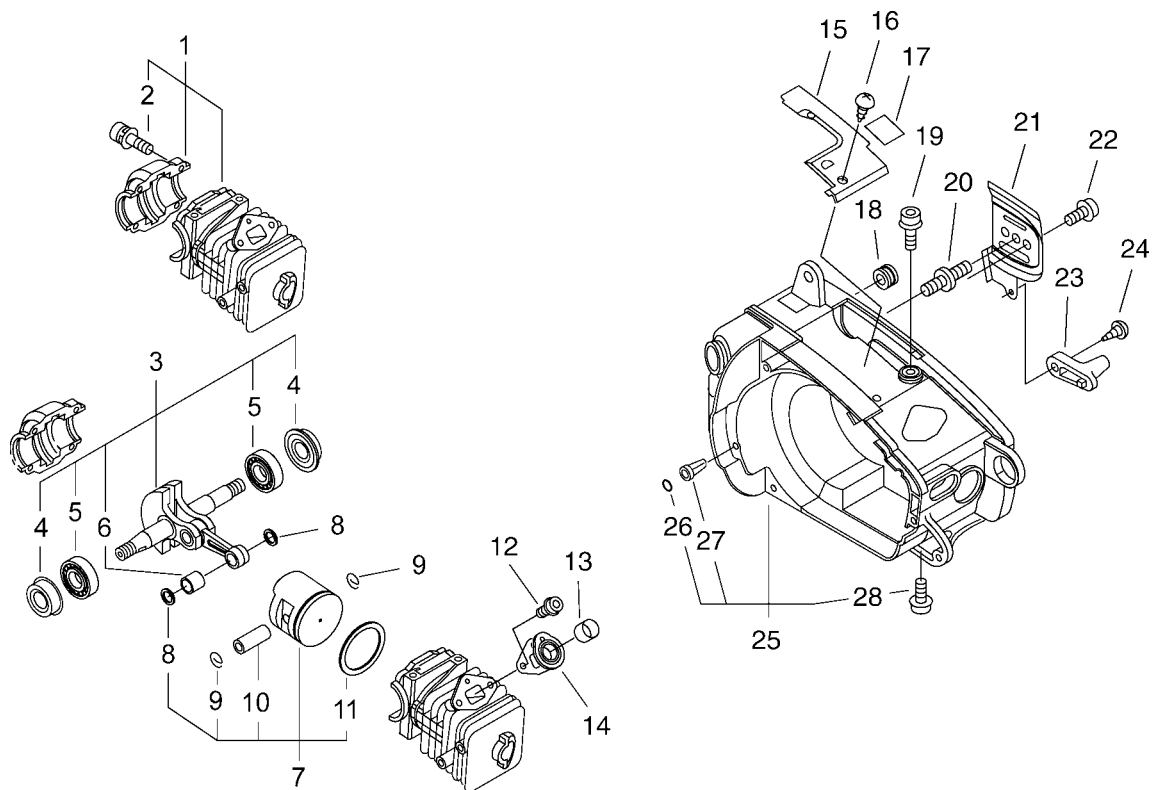
CHAIN SAW

CS-260T

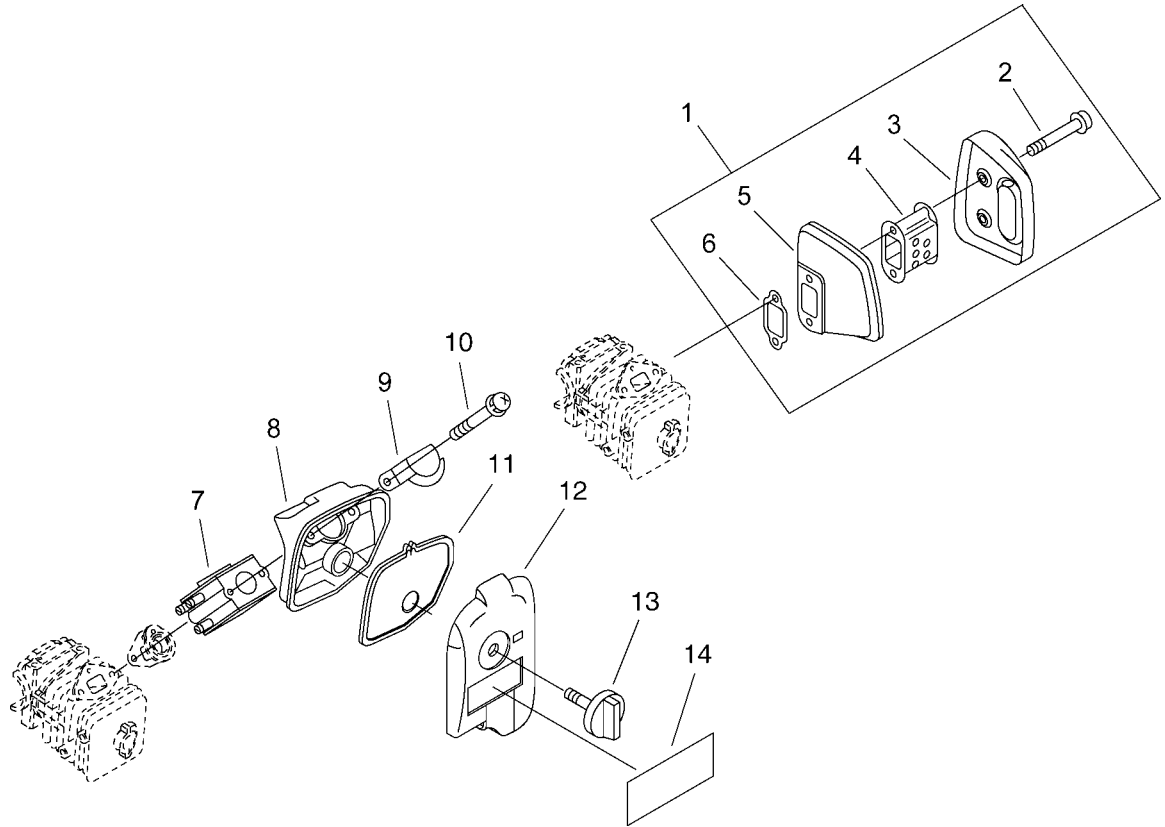
CE



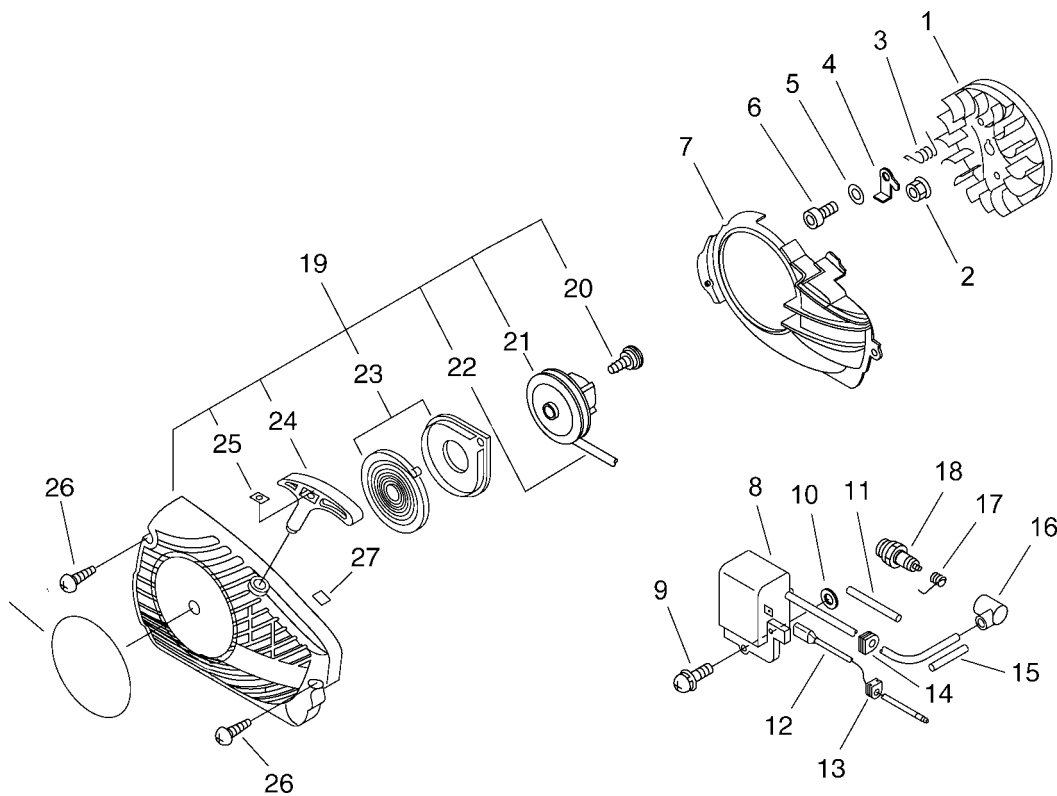
KEY	LV	PART NUMBER	Q'TY	DESCRIPTION	REMARKS
1		P021-011230	1	CRANKCASE SET	
2	+	900162-05022	4	BOLT, H.S. 5*22	
3		P021-011220	1	CRANKSHAFT ASY	
4	+	V505-000000	2	SEAL,OIL	
5	+	900800-36001	2	BEARING, BALL 6001	
6	+	V553-000020	1	BEARING,NEEDLE 8	
7		P021-002150	1	PISTON KIT	
8	+	100014-55930	2	SPACER, PISTON PIN	
9	+	100015-04630	2	CIRCLIP, PISTON PIN	
10	+	100013-22330	1	PIN, PISTON	
11	+	100011-05731	1	RING, PISTON	
12		900162-04012	2	BOLT, H.S. 4*12	
13		V358-000020	1	COLLAR,14	
14		A202-000001	1	BELLOWS,INTAKE	
15		A127-000021	1	COVER,DUST	
16		900253-04012	2	SCREW	
17		X505-000370	1	LABEL,CAUTION	
18		163911-30130	1	PLUG	
19		900106-05016	2	BOLT, H.S. 5*16	
20		V225-000030	1	BOLT,STUD 8	
21		C305-000022	1	PLATE,SPROCKET GUARD	
22		V202-000011	2	BOLT,4	
23		433026-35430	1	CATCHER, CHAIN	
24		900253-05020	1	SCREW 5*20	



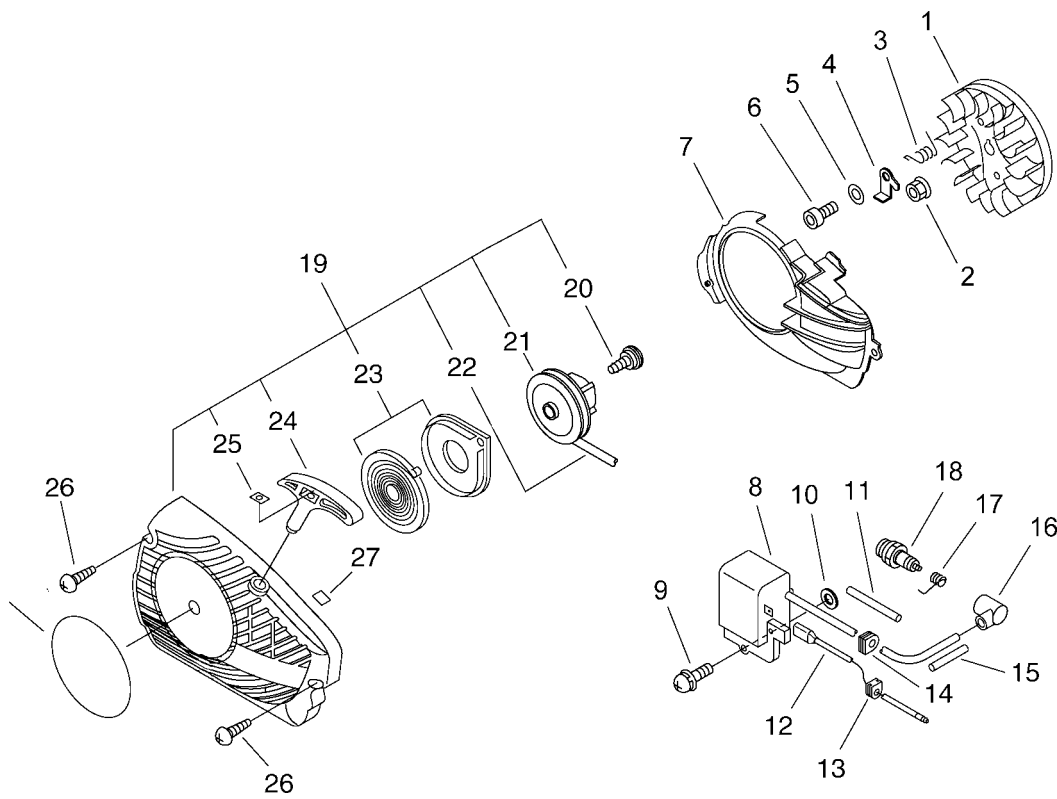
KEY	LV	PART NUMBER	Q'TY	DESCRIPTION	REMARKS
25		P021-003435	1	COVER ENGINE	
26	+	900724-00004	1	O-RING (S-4)	
27	+	436114-13930	1	VALVE, CHECK	
28	+	900106-05025	2	BOLT, H.S. 5*25	



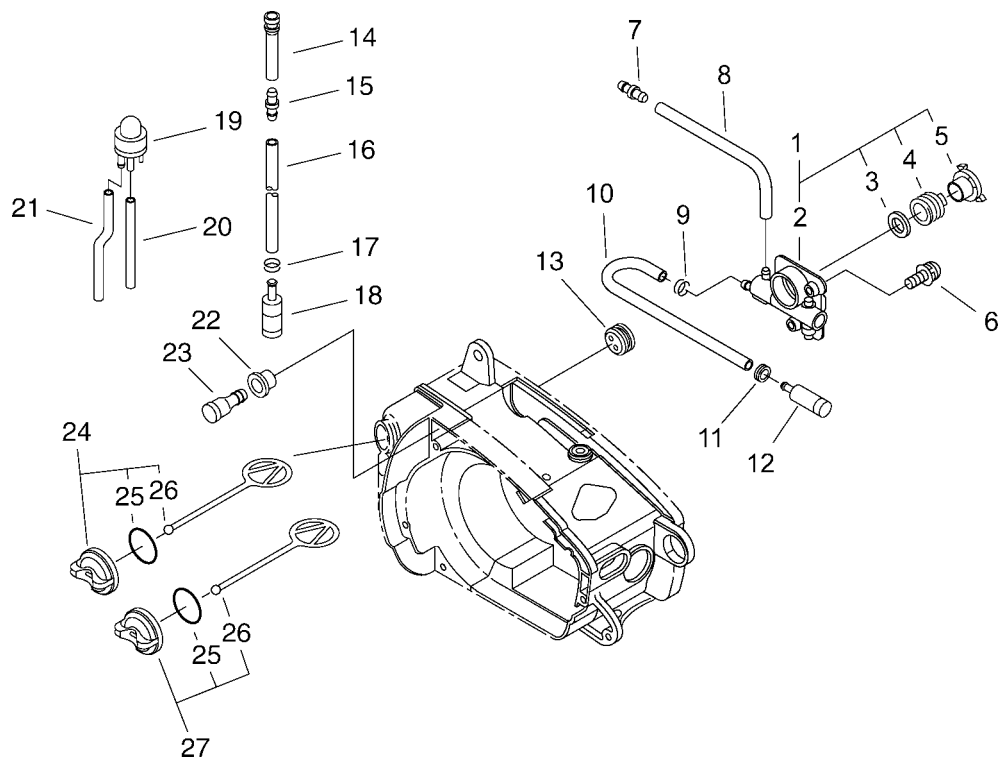
KEY	LV	PART NUMBER	Q'TY	DESCRIPTION	REMARKS
1		P021-001930	1	MUFFLER ASY	
2	+	91107-05040	2	BOLT HSH FLANGE	
3	+	A303-000000	1	LID,MUFFLER	
4	+	A301-000000	1	PLATE,MUFFLER	
5	+	A300-000130	1	MUFFLER,EXHAUST	
6	+	145510-13931	1	GASKET, MUFFLER	
7		A021-001400	1	CARBURETOR,DIAPHRAGM	
8		A225-000023	1	CASE,CLEANER	
9		A244-000000	1	PLATE,PREVENT	
10		900238-05050	2	SCREW 5*50	
11		A226-000050	1	ELEMENT,AIR FILTER	
12		A232-000061	1	LID,CLEANER	
13		A235-000040	1	KNOB,CLEANER LID	
14		X503-007620	1	LABEL,MODEL	



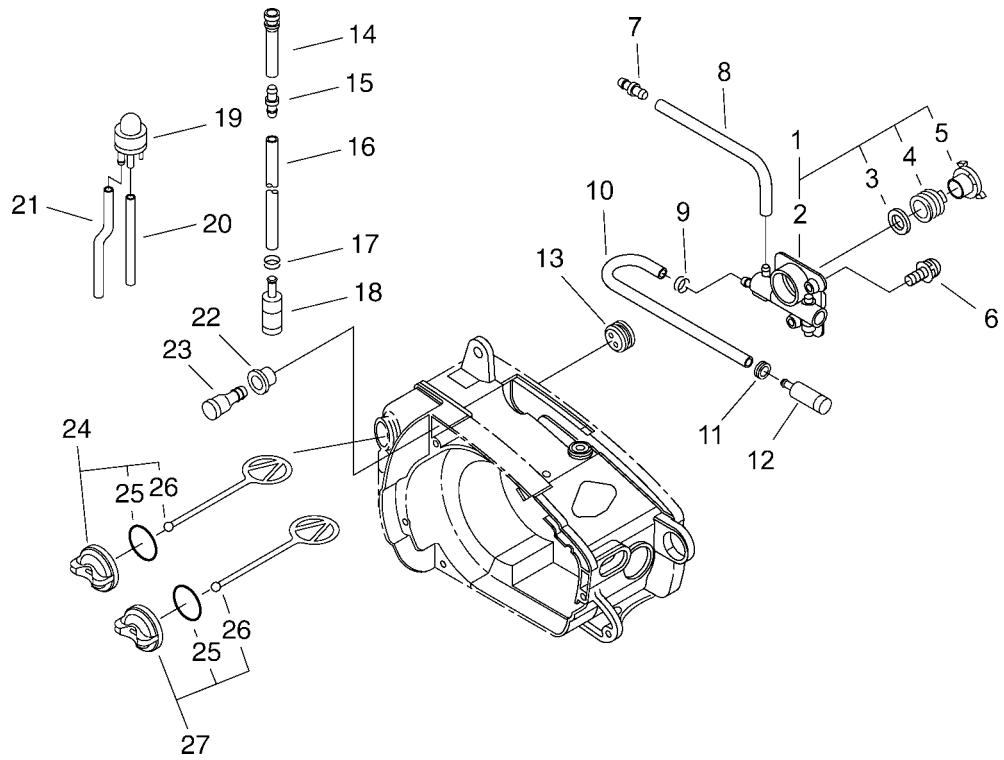
KEY	LV	PART NUMBER	Q'TY	DESCRIPTION	REMARKS
1		A409-000040	1	ROTOR,MAGNETO	
2		900515-00008	1	NUT, FLANGE 8	
3		V452-000030	2	SPRING,TORSION	
4		A514-000000	2	PAWL	
5		900603-00005	2	WASHER 5	
6		V203-000100	2	BOLT,5	
7		A172-000112	1	COVER,FAN	
8		A411-000340	1	COIL, IGNITION	
9		900238-05022	2	SCREW 5*22	
10		150117-16430	2	SPACER	
11		V475-001900	1	TUBE	
12		V485-000140	1	LEAD	
13		156114-07320	1	GROMMET	
14		156110-04920	1	BUSHING	
15		V475-003550	1	TUBE	
16		A427-000012	1	CAP,SPARK PLUG	
17		A426-000010	1	TERMINAL,SPARKPLUG	
18		159010-10230	1	PLUG, SPARK (BPMR-7A	
19		A051-000031	1	STARTER,RECOIL	
20	+	177236-44330	1	SCREW	
21	+	P022-005870	1	DRUM, STARTER	
22	+	P022-005860	1	ROPE, STARTER	
23	+	P022-001330	1	SPRING KIT, REWIND	
24	+	P022-001320	1	GRIP, STARTER	



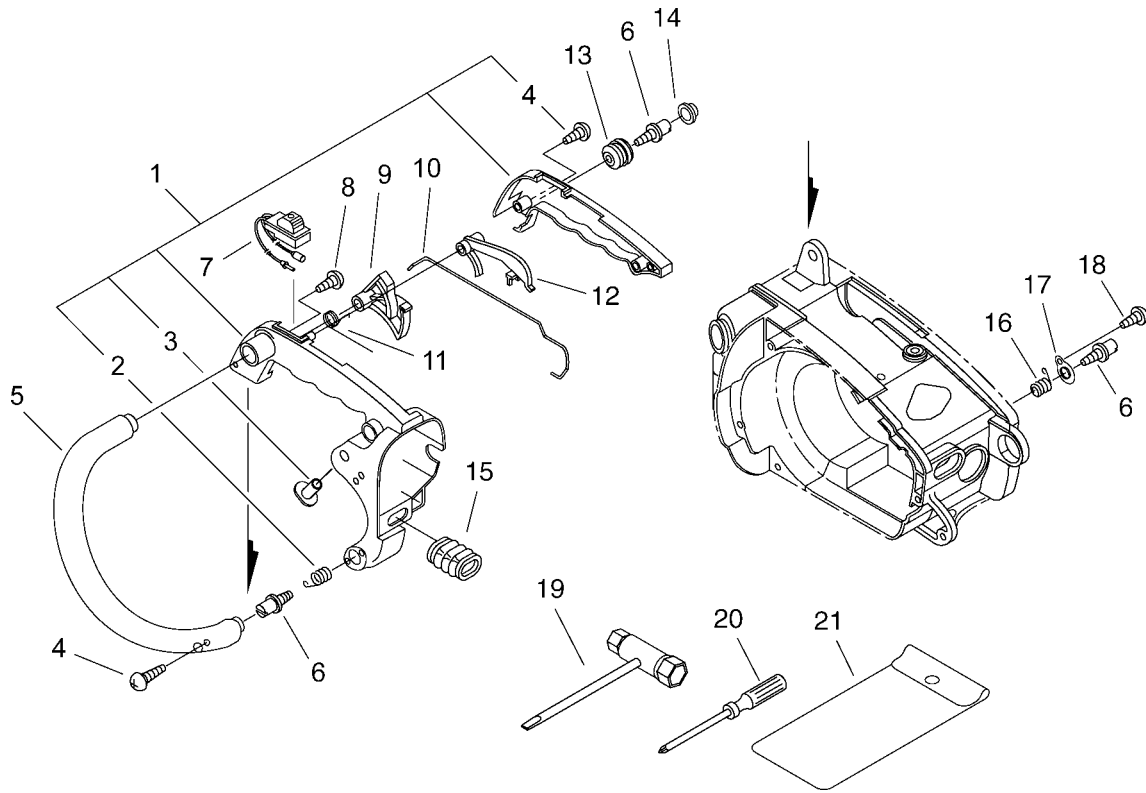
KEY	LV	PART NUMBER	Q'TY	DESCRIPTION	REMARKS
25	+	177246-11120	1	CLIP, STARTER ROPE	
26		900256-04016	3	SCREW 4*16	
27		890631-38230	1	LABEL, CAUTION	
28		X502-000350	1	LABEL, ECHO	



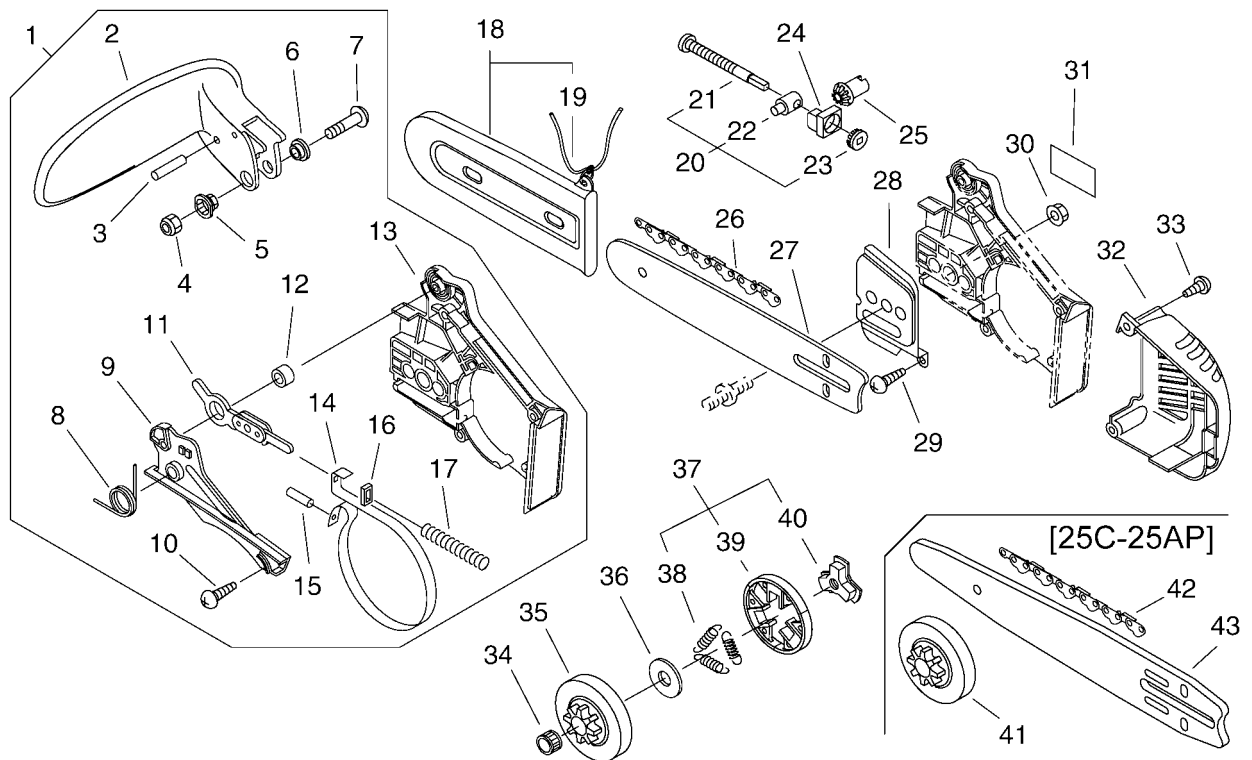
KEY	LV	PART NUMBER	Q'TY	DESCRIPTION	REMARKS
1		P021-010890	1	AUTO-OILER ASY	
2	+	C022-000020	1	AUTO-OILER ASSEMBLY	
3	+	V308-000030	1	WASHER,CIRCULAR 11	
4	+	V652-000030	1	GEAR,WORM	
5	+	V356-000290	1	COLLAR,10	
6		900238-04012	2	SCREW 4*12	
7		V187-000010	1	NIPPLE	
8		132012-11960	1	PIPE 3* 6* 45	
9		132013-26630	1	CLIP	
10		132010-22130	1	PIPE, FUEL	
11		132115-01461	1	GROMMET	
12		436205-02832	1	STRAINER, OIL	
13		132115-44330	1	GROMMET	
14		V470-000320	1	PIPE	
15		V186-000020	1	JOINT,PIPE	
16		V471-001230	1	PIPE	
17		132013-09820	1	CLIP	
18		131205-14930	1	STRAINER,FUEL	
19		123181-39130	1	PUMP, PRIMER	
20		V471-001260	1	PIPE	
21		V471-001250	1	PIPE	
22		V137-000000	1	GROMMET,FUEL	
23		131300-56430	1	VALVE, CHECK	
24		P021-005591	1	FUEL CAP ASY	



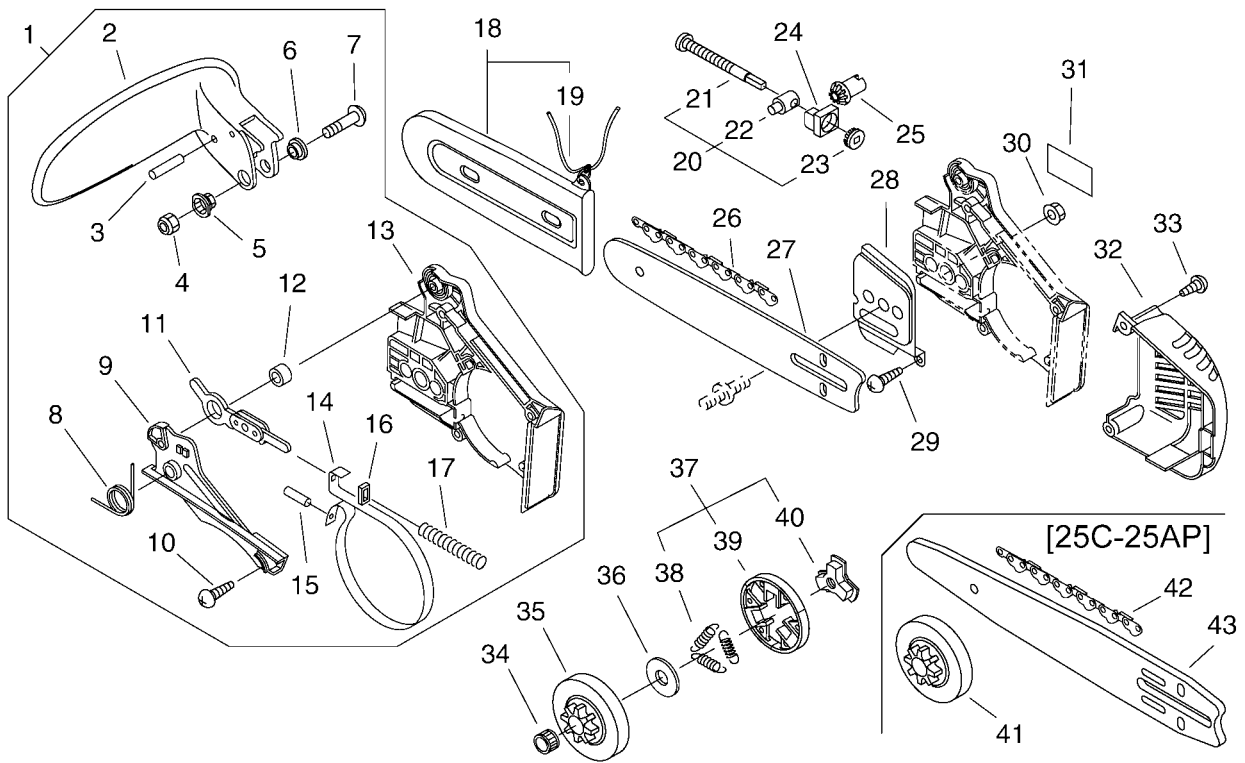
KEY	LV	PART NUMBER	Q'TY	DESCRIPTION	REMARKS
25	+	900720-00018	1	O-RING 18	
26	+	A365-000050	1	CONNECTOR,CAP	
27		P021-005581	1	OIL CAP ASY	
25	+	900720-00018	1	O-RING 18	
26	+	A365-000050	1	CONNECTOR,CAP	



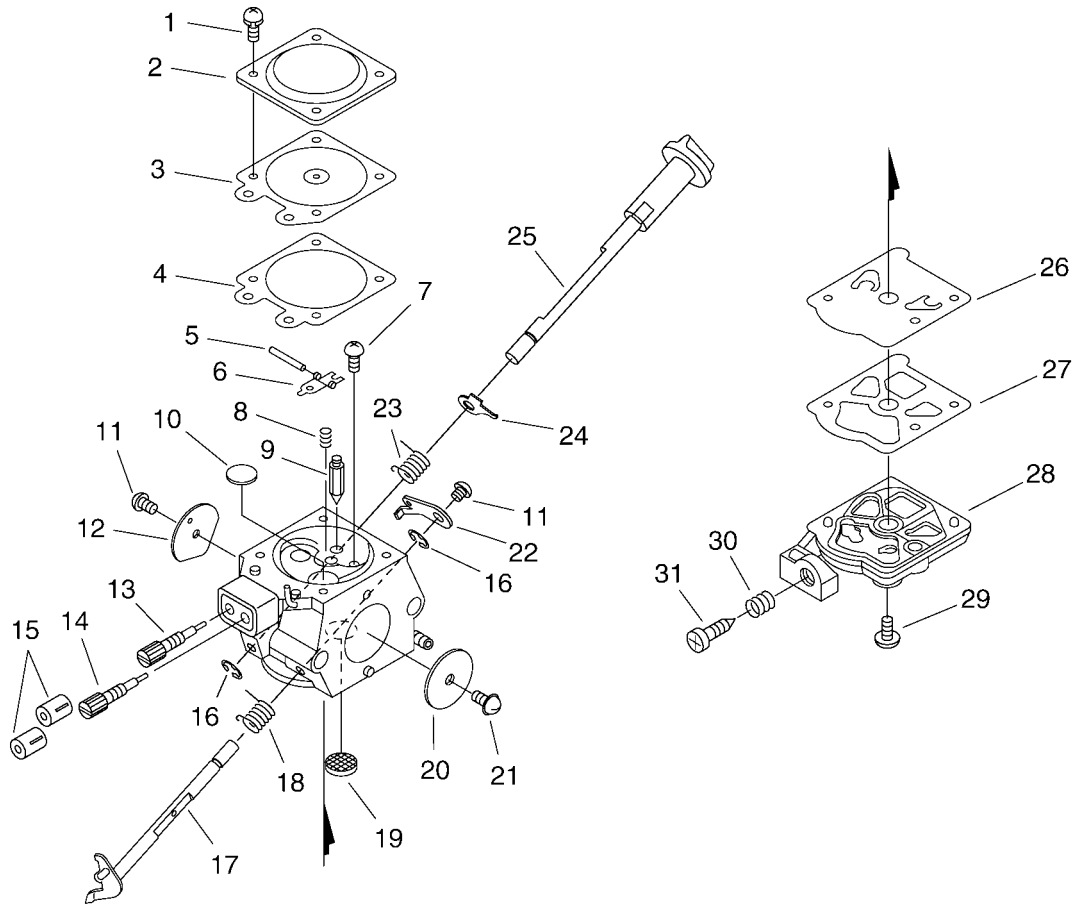
KEY	LV	PART NUMBER	Q'TY	DESCRIPTION	REMARKS
1		P021-001963	1	HANDLE SET, REAR	
2	+	V450-000340	1	SPRING, COMPRESSION	
3	+	130020-33330	2	NUT	
4	+	900256-04016	4	SCREW 4*16	
4		900256-04016	2	SCREW 4*16	
5		C400-000050	1	HANDLE, FRONT	
6		V202-000000	3	BOLT, 4	
7		A440-000210	1	SWITCH, ON OFF	
8		900253-05020	1	SCREW 5*20	
9		C450-000010	1	TRIGGER, THROTTLE	
10		C454-000051	1	ROD, THROTTLE	
11		V452-000010	1	SPRING, TORSION	
12		C460-000002	1	LOCKOUT, THROTTLE	
13		100921-39130	1	CUSHION	
14		100918-15130	1	CAP	
15		A239-000000	1	PIPE, INTAKE	
16		V450-000080	1	SPRING, COMPRESSION	
17		V150-000420	1	PLATE, EYE	
18		900253-04012	1	SCREW	
19		895410-02830	1	WRENCH, W/S. DRIVER	
20		895812-03930	1	DRIVER, SCREW 50	
21		898510-39130	1	BAG, TOOL	



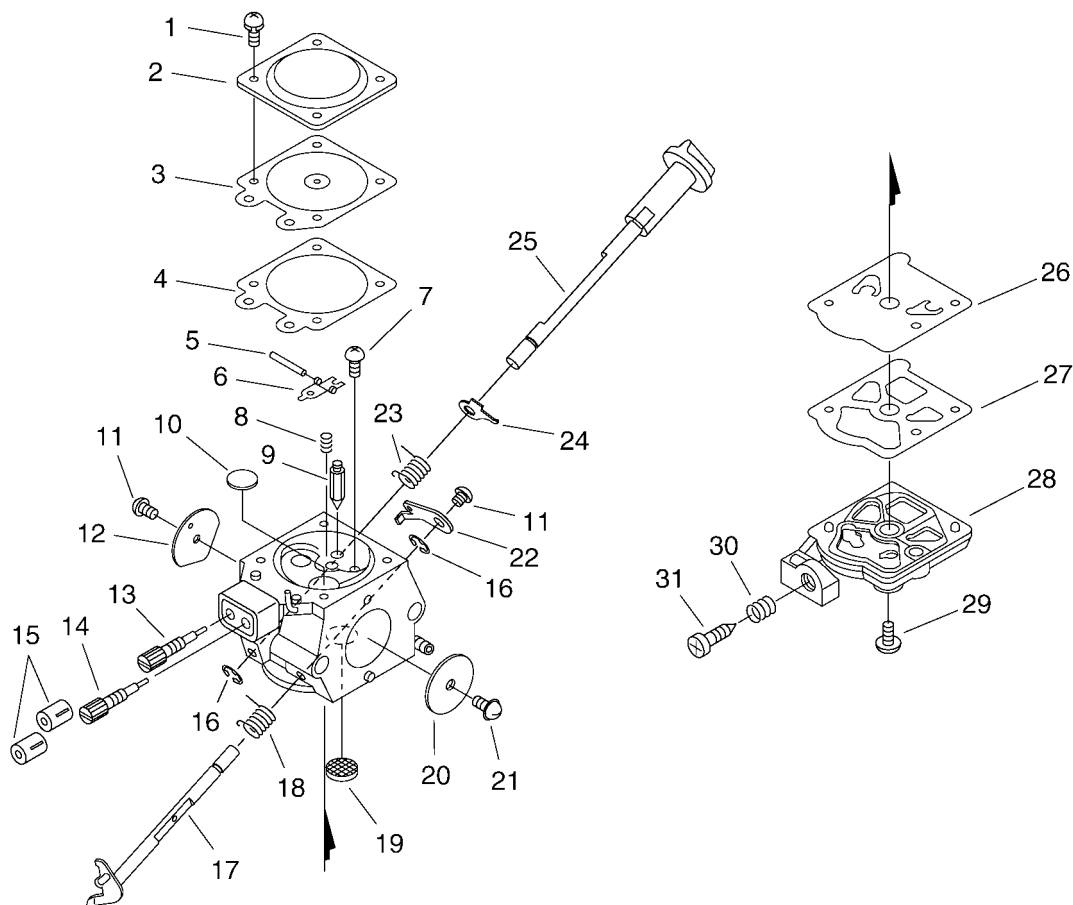
KEY	LV	PART NUMBER	Q'TY	DESCRIPTION	REMARKS
1		C032-000165	1	BRAKE,ASM CHAIN	
2	+	C320-000032	1	LEVER,BRAKE	
3	+	900330-30260	2	ROLLER 3*26	
4	+	900562-50005	1	LOCKNUT 5	
5	+	V353-000060	1	COLLAR,5	
6	+	433167-39130	1	SPACER	
7	+	91318-05032	1	SCREW	
8	+	V452-000110	1	SPRING,TORSION	
9	+	C345-000112	1	COVER,BRAKE	
10	+	900253-04012	2	SCREW	
11	+	C334-000070	1	CONNECTOR,BRAKE	
12	+	433116-35430	1	SPACER 8	
13	+	C300-000170	1	GUARD,SPROCKET	
14	+	C328-000020	1	BAND,BRAKE	
15	+	93050-30098	1	ROLLER	
16	+	V376-000450	1	SPACER	
17	+	V450-000070	1	SPRING,COMPRESSION	
18		P021-002010	1	CHAIN SCABBARD	
19	+	898568-14530	1	ROPE	
20		P021-000063	1	TENSIONER,CHAIN ASY	
21	+	V203-000021	1	BOLT,5	
22	+	C309-000030	1	TENSIONER,CHAIN	
23	+	V651-000011	1	GEAR,BEVEL	
24		V355-000270	1	COLLAR,8	



KEY	LV	PART NUMBER	Q'TY	DESCRIPTION	REMARKS
25		V651-000001	1	GEAR,BEVEL	
26		X221-000000	1	CHAIN,SAW	
27		X121-000002	1	BAR,GUIDE25RC50S-3/8	
28		C305-000031	1	PLATE,SPROCKET GUARD	
29		900253-04010	1	SCREW 4*10	
30		433019-12330	1	NUT, FLANGE 8	
31		X502-000340	1	LABEL,ECHO	
32		A320-000021	1	COVER,MUFFLER	
33		900253-04016	2	SCREW 4*16	
34		175012-35630	1	BEARING, NEEDLE	
35		A556-000091	1	DRUM,CLUTCH	
36		A551-000010	1	PLATE,CLUTCH	
37		A056-000030	1	CLUTCH	
38	+	V451-000150	3	SPRING,TENSION	
39	+	P021-001950	1	CLUTCH SHOE SET	
40	+	A552-000020	1	HUB,CLUTCH	
41		A556-000101	1	DRUM,CLUTCH	
42		431610-10030	1	CHAIN, SAW	
43		X101-000010	1	BAR,GUIDE 25C50SL	



KEY	LV	PART NUMBER	Q'TY	DESCRIPTION	REMARKS
		A021-001400	1	CARBURETOR,DIAPHRAGM	
1	+	123130-02960	4	SCREW	
2	+	123142-03930	1	COVER, M. DIAPHRAGM	
3	+	123141-03930	1	DIAPHRAGM, METERING	
4	+	123140-27230	1	GASKET,M. DIAPHRAGM	
5	+	123138-03930	1	PIN, METERING LEVER	
6	+	123123-03930	1	LEVER, METERING	
7	+	123139-03930	1	SCREW, M. LEVER PIN	
8	+	123122-03660	1	SPRING, METER. LEVER	
9	+	123137-19830	1	VALVE, INLET NEEDLE	
10	+	123146-10631	1	PLUG, WELCH	
11	+	123114-38830	2	SCREW	
12	+	123132-35430	1	VALVE, CHOKE	
13	+	123120-03661	1	NEEDLE, HIGH SPEED	
14	+	123118-02261	1	NEEDLE, IDLE	
15	+	P003-000010	2	LIMITER CAP	
16	+	123127-15030	2	RING	
17	+	P003-001300	1	SHAFT, THROTTLE	
18	+	123113-37530	1	SPRING, THROTTLE RTN	
19	+	123126-10631	1	SCREEN, INLET	
20	+	123116-05960	1	VALVE, THROTTLE	
21	+	123114-05260	1	SCREW	
22	+	P003-000380	1	THROTTLE, LEVER	
23	+	P003-001470	1	SPRING	



KEY	LV	PART NUMBER	Q'TY	DESCRIPTION	REMARKS
24	+	P003-001510	1	LEVER-FAST IDLE	
25	+	P003-000400	1	SHAFT-CHOKE(MOLD)	
26	+	123112-15030	1	DIAPHRAGM, FUEL PUMP	
27	+	123125-15030	1	GASKET, FUEL PUMP	
28	+	123124-24430	1	COVER, FUEL PUMP	
29	+	123110-03930	1	SCREW, PUMP COVER	
30	+	123133-04260	1	SPRING, IDLE ADJUST	
31	+	123134-04260	1	SCREW, IDLE ADJUST	

Index

Parts Number	Key No.	Parts Number	Key No.	Parts Number	Key No.
A021-001400	2 - 7	P003-001510	7 - 24	V651-000001	6 - 25
A021-001400	7 -	P021-000063	6 - 20	V651-000011	6 - 23
A051-000634	3 - 19	P021-001930	2 - 1	V652-000030	4 - 4
A056-000030	6 - 37	P021-001950	6 - 39	X101-000010	6 - 43
A127-000021	1 - 15	P021-001963	5 - 1	X121-000002	6 - 27
A172-000112	3 - 7	P021-002010	6 - 18	X221-000000	6 - 26
A202-000001	1 - 14	P021-002150	1 - 7	X502-000340	6 - 31
A225-000023	2 - 8	P021-003435	1 - 25	X502-000350	3 - 29
A226-000050	2 - 11	P021-005581	4 - 27	X503-007630	2 - 14
A232-000061	2 - 12	P021-005591	4 - 24	X505-000370	1 - 17
A235-000040	2 - 13	P021-010890	4 - 1	X530-000210	3 - 32
A239-000000	5 - 15	P021-011220	1 - 3	100011-05731	1 - 11
A244-000000	2 - 9	P021-011230	1 - 1	100013-22330	1 - 10
A300-000130	2 - 5	P022-001320	3 - 26	100014-55930	1 - 8
A301-000000	2 - 4	P022-001330	3 - 25	100015-04630	1 - 9
A303-000000	2 - 3	P022-006220	3 - 24	100918-15130	5 - 14
A320-000021	6 - 32	V137-000000	4 - 22	100921-39130	5 - 13
A365-000050	4 - 26	V150-000420	5 - 17	123110-03930	7 - 29
A409-000040	3 - 1	V162-000150	3 - 30	123112-15030	7 - 26
A411-000340	3 - 8	V186-000020	4 - 15	123113-37530	7 - 18
A426-000010	3 - 17	V187-000010	4 - 7	123114-05260	7 - 21
A427-000012	3 - 16	V202-000000	5 - 6	123114-38830	7 - 11
A440-000210	5 - 7	V202-000011	1 - 22	123116-05960	7 - 20
A506-000030	3 - 23	V203-000021	6 - 21	123118-02261	7 - 14
A507-000021	3 - 21	V203-000100	3 - 6	123120-03661	7 - 13
A514-000020	3 - 4	V225-000030	1 - 20	123122-03660	7 - 8
A551-000010	6 - 36	V308-000030	4 - 3	123123-03930	7 - 6
A552-000020	6 - 40	V353-000060	6 - 5	123124-24430	7 - 28
A556-000091	6 - 35	V355-000270	6 - 24	123125-15030	7 - 27
A556-000101	6 - 41	V356-000290	4 - 5	123126-10631	7 - 19
C022-000020	4 - 2	V358-000020	1 - 13	123127-15030	7 - 16
C032-000165	6 - 1	V376-000450	6 - 16	123130-02960	7 - 1
C300-000170	6 - 13	V450-000070	6 - 17	123132-35430	7 - 12
C305-000022	1 - 21	V450-000080	5 - 16	123133-04260	7 - 30
C305-000031	6 - 28	V450-000340	5 - 2	123134-04260	7 - 31
C309-000030	6 - 22	V451-000150	6 - 38	123137-19830	7 - 9
C320-000032	6 - 2	V452-000010	5 - 11	123138-03930	7 - 5
C328-000020	6 - 14	V452-000030	3 - 3	123139-03930	7 - 7
C334-000070	6 - 11	V452-000110	6 - 8	123140-27230	7 - 4
C345-000112	6 - 9	V452-000150	3 - 22	123141-03930	7 - 3
C400-000050	5 - 5	V470-000320	4 - 14	123142-03930	7 - 2
C450-000010	5 - 9	V471-001230	4 - 16	123146-10631	7 - 10
C454-000051	5 - 10	V471-001250	4 - 21	123181-39130	4 - 19
C460-000002	5 - 12	V471-001260	4 - 20	130020-33330	5 - 3
P003-000010	7 - 15	V475-001900	3 - 11	131205-14930	4 - 18
P003-000380	7 - 22	V475-003550	3 - 15	131300-56430	4 - 23
P003-000400	7 - 25	V485-000140	3 - 12	132010-22130	4 - 10
P003-001300	7 - 17	V505-000000	1 - 4	132012-11960	4 - 8
P003-001470	7 - 23	V553-000020	1 - 6	132013-09820	4 - 17

Index

Parts Number	Key No.	Parts Number	Key No.	Parts Number	Key No.
132013-26630	4 - 9	93050-30098	6 - 15		
132115-01461	4 - 11				
132115-44330	4 - 13				
145510-13931	2 - 6				
150117-16430	3 - 10				
156110-04920	3 - 14				
156114-07320	3 - 13				
159010-10230	3 - 18				
163911-30130	1 - 18				
175012-35630	6 - 34				
177236-61830	3 - 20				
177246-11120	3 - 27				
431610-10030	6 - 42				
433019-12330	6 - 30				
433026-35430	1 - 23				
433116-35430	6 - 12				
433167-39130	6 - 6				
436114-13930	1 - 27				
436205-02832	4 - 12				
890631-38230	3 - 31				
895410-02830	5 - 19				
895812-03930	5 - 20				
898510-39130	5 - 21				
898568-14530	6 - 19				
900106-05016	1 - 19				
900106-05025	1 - 28				
900162-04012	1 - 12				
900162-05022	1 - 2				
900238-04012	4 - 6				
900238-05022	3 - 9				
900238-05050	2 - 10				
900253-04010	6 - 29				
900253-04012	1 - 16				
900253-04012	5 - 18				
900253-04012	6 - 10				
900253-04016	6 - 33				
900253-05020	1 - 24				
900253-05020	5 - 8				
900256-04016	3 - 28				
900256-04016	5 - 4				
900330-30260	6 - 3				
900515-00008	3 - 2				
900562-50005	6 - 4				
900603-00005	3 - 5				
900720-00018	4 - 25				
900724-00004	1 - 26				
900800-36001	1 - 5				
91107-05040	2 - 2				
91318-05032	6 - 7				



KIORITZ CORPORATION

7-2 SUEHIROCHO 1-CHOME, OHME, TOKYO 198-8711, JAPAN
PHONE: 81-428-32-6118. FAX: 81-428-32-6145.

ECHO[®]

200705 No.63-115(640359)