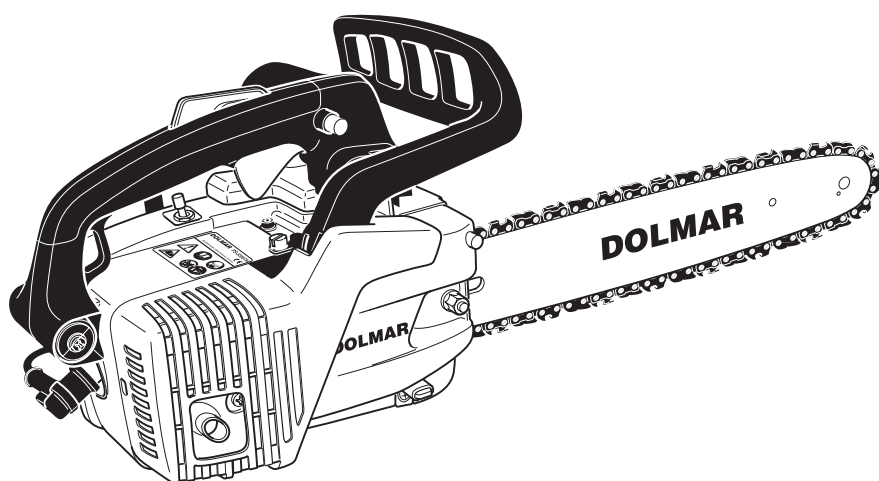


Spare Parts List

2006-03



PS-3300 TH

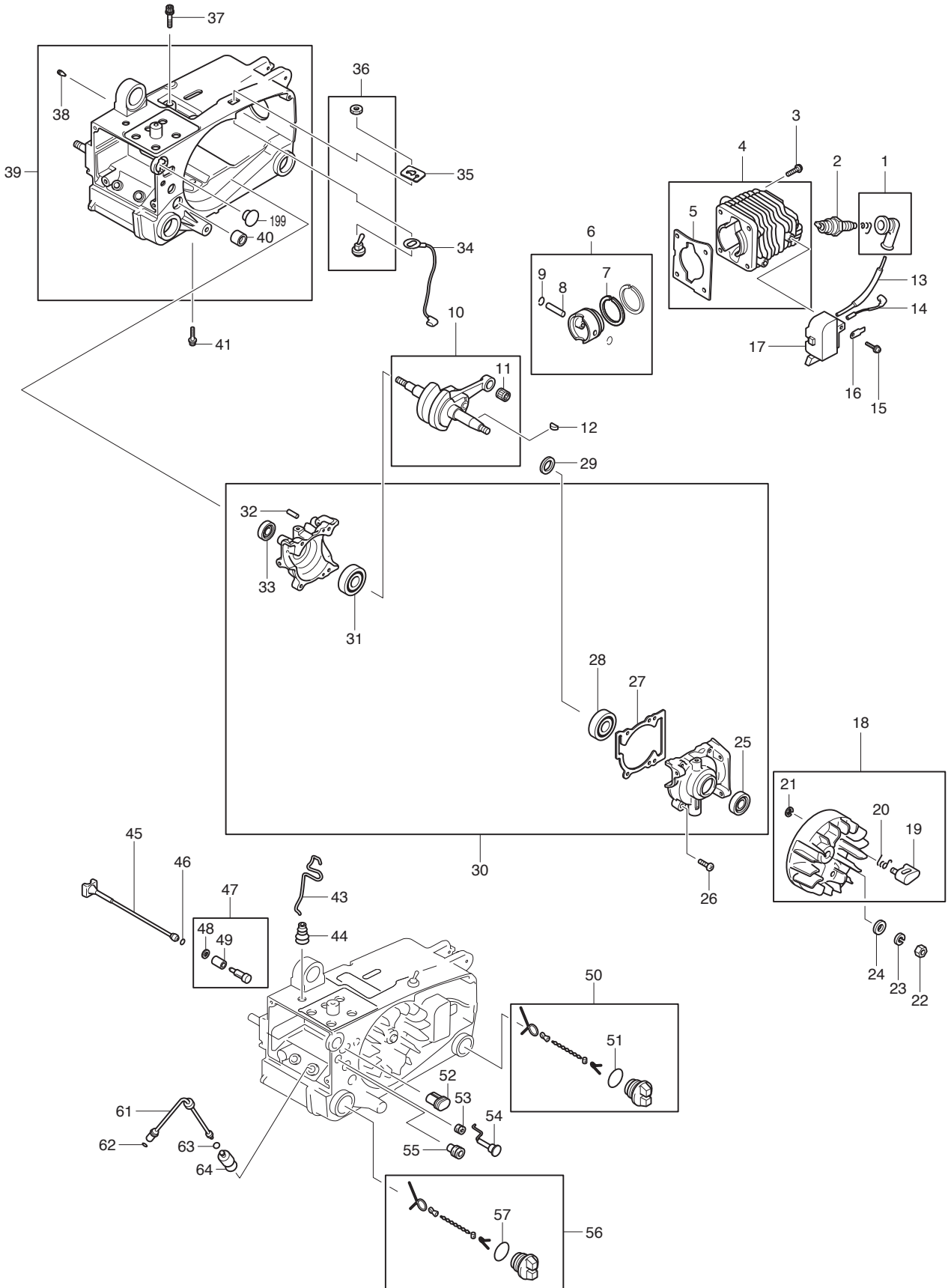
IMPORTANT! - To assure product SAFETY and RELIABILITY, repairs, maintenance or adjustments should be performed by DOLMAR Service Centers, or other qualified service organisations. Always use DOLMAR replacement parts.

DOLMAR



A member of the *Makita* Group

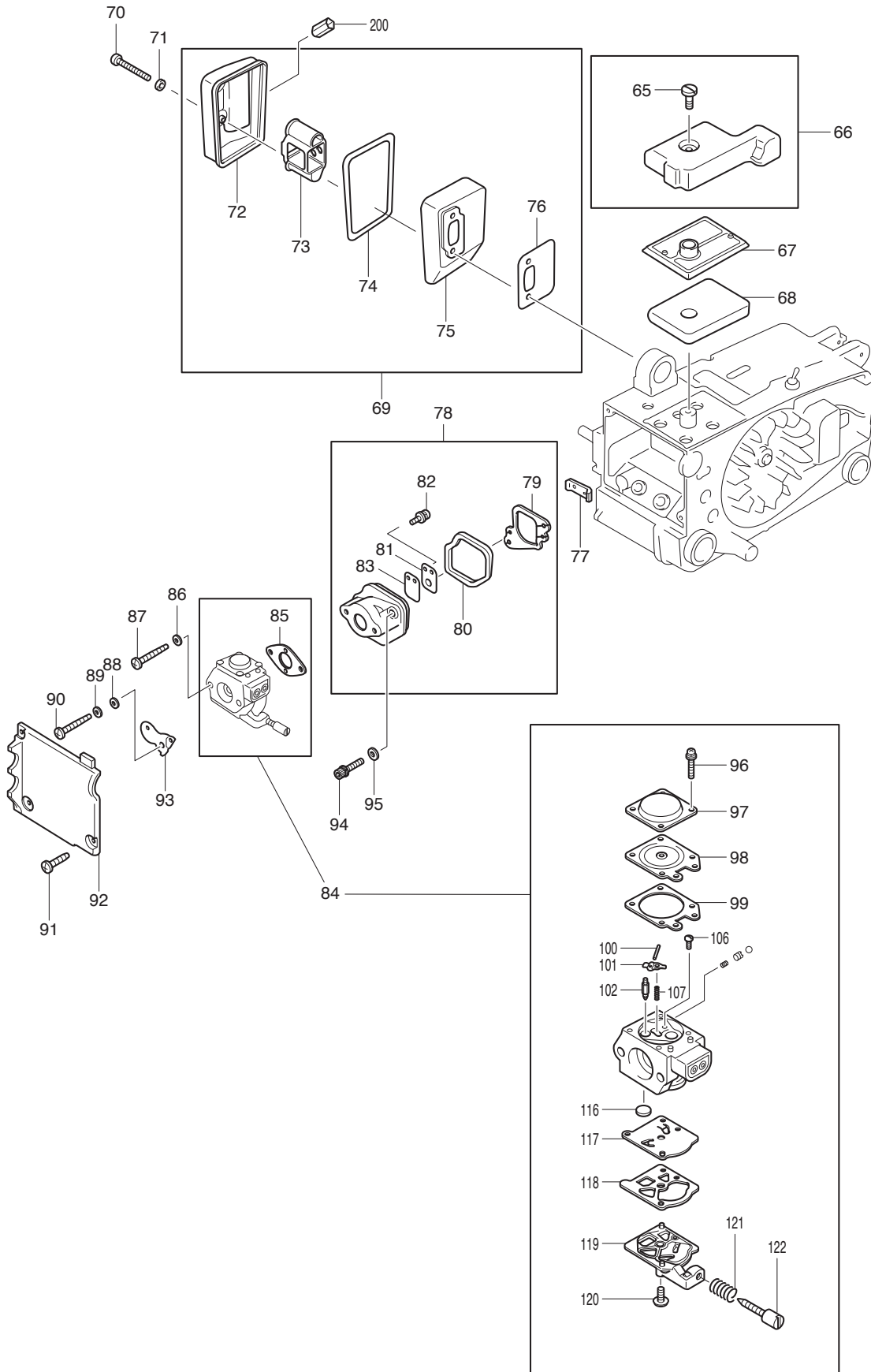
995 700 269 (GB)



PS-3300 TH



Page	Pos.	PS-3300 TH	Part No.	Notes	Description	Specifications
1	1	1	318 000 010		SPARK PLUG CAP	
1	2	1	318 001 950		SPARK PLUG	
1	3	4	318 000 040		P.H. SCREW	5X16
1	4	1	318 002 390		CYLINDER SET	INC. 5
1	5	1	318 000 050		CYLINDER PACKING	
1	6	1	318 002 400		PISTON SET	INC. 7-9
1	7	2	318 010 060		PISTON RING	
1	8	1	318 000 080		PISTON PIN	9X30
1	9	2	318 000 090		RETAINING RING	S-12
1	10	1	318 000 100		CRANKSHAFT	INC. 11
1	11	1	318 000 110		NEEDLE BEARING	
1	12	1	318 000 120		WOODRUFF KEY	
1	13	1	318 000 360		INSULATION TUBE	
1	14	1	318 000 400		CORD	
1	15	2	318 000 230		P. H. SCREW	4X18
1	16	1	318 000 240		TAB	
1	17	1	318 000 250		IGNITION COIL	
1	18	1	318 000 190		MAGNETO ROTOR ASS'Y	INC. 19-21
1	19	2	318 000 200		CLAW	
1	20	2	318 000 210		CLAW SPRING	
1	21	2	318 000 220		E-STOP RING	4
1	22	1	318 000 160		FLYWHEEL NUT	
1	23	1	318 000 170		SPRING WASHER	7
1	24	1	318 000 180		WASHER	7
1	25	1	318 000 280		OIL SEAL	
1	26	4	318 000 260		P. H. SCREW	5X20S
1	27	1	318 000 290		CRANKCASE PACKING	
1	28	1	318 000 300		BALL BEARING	6201
1	29	1	318 000 130		SHIM	0.1
1	29	1	318 000 140		SHIM	0.2
1	29	1	318 000 150		SHIM	0.3
1	30	1	318 000 270		CRANKCASE ASS'Y	INC. 25, 27-29 & 31-33
1	31	1	318 000 300		BALL BEARING	6201
1	32	1	318 000 310		NEEDLE ROLLER	
1	33	1	318 000 280		OIL SEAL	
1	34	1	318 000 390		GROUNDING CORD	
1	35	1	318 000 380		SWITCHPLATE	
1	36	1	318 000 370		STOP SWITCH ASS'Y	
1	37	1	318 000 350		H.S.H. BOLT	5X20
1	38	1	318 000 330		VENTILATING VALVE	
1	39	1	318 002 270		ENGINE CASE ASS'Y	INC. 38 & 40, 199
1	40	1	318 000 340		TANK CAP ASS'Y (INSIDE CAP)	
1	41	3	318 000 350		H.S.H. BOLT	5X20
1	43	1	318 000 750		THROTTLE ROD	
1	44	1	318 000 760		THROTTLE GUIDE	
1	45	1	318 000 700		OIL PIPE (B)	
1	46	1	318 000 710		CLIP	
1	47	1	318 000 740		OIL FILTER BODY ASS'Y	INC. 48 & 49
1	48	1	318 000 460		WASHER	5
1	49	1	318 000 730		OIL FILTER	
1	50	1	318 000 830		OIL TANK CAP ASS'Y	INC. 51
1	51	1	318 000 840		O-RING	P-18
1	52	1	318 002 410		ADJUSTING CAP	
1	53	1	318 000 860		RUBBER PLUG (F/CHOKE ROD)	
1	54	1	318 000 870		CHOKE BUTTON	
1	55	1	318 000 880		IDLE GROMMET	
1	56	1	318 000 900		TANK CAP ASS'Y	INC. 57
1	57	1	318 000 890		O-RING	P-20
1	61	1	318 000 790		RUBBER PIPE	
1	62	1	318 000 710		CLIP	
1	63	1	318 000 710		CLIP	
1	64	1	318 000 800		PUMP FILTER BODY	
1	199	1	318 001 970		BLIND CAP (A)	



PS-3300 TH



Page	Pos.	PS-3300 TH	Part No.	Notes	Description	Specifications
2	65	1	318 000 410		SCREW	
2	66	1	318 000 420		CLEANER COVER (A) SET	INC. 65
2	67	1	318 000 440		CLEANER ELEMENT	
2	68	1	318 000 430		CLEANER SPONGE	
2	69	1	318 002 440		MUFFLER SET	INC. 72-76
2	70	2	318 000 590		P. H. SCREW	5X40
2	71	2	318 000 460		WASHER 5	
2	72	1	318 002 450		MUFFLER BODY (B)	
2	73	1	318 002 460		INNER MUFFLER PIPE	
2	74	1	318 000 640		MUFFLER COUPLING PACKING	
2	75	1	318 000 650		MUFFLER BODY (A)	
2	76	1	318 000 660		MUFFLER PACKING	
2	77	1	318 000 690		SEAL COVER	
2	78	1	318 000 530		INSULATING PLATE SET	INC. 79-83
2	79	1	318 000 580		SUCTION PIPE PACKING	
2	80	1	318 000 570		INSULATING PLATE (F/CARB)	
2	81	1	318 000 550		REED HOLDER	
2	82	2	318 000 560		BIND SCREW	3X12
2	83	1	318 000 540		REED VALVE	
2	84	1	318 002 420		CARBURETOR SET	INC. 85, 96-102, 106-107 & 116-122
2	85	1	318 000 500		CARBURETOR PACKING	
2	86	1	318 000 470		CHOKE VALVE SHIM	0.8
2	87	1	318 000 450		P. H. SCREW	5X45S
2	88	1	318 000 470		CHOKE VALVE SHIM	0.8
2	89	1	318 000 460		WASHER	5
2	90	1	318 000 450		P. H. SCREW	5X45S
2	91	3	318 001 580		SCREW	4.5X14
2	92	1	318 000 680		CLEANER COVER (B)	
2	93	1	318 000 480		CHOKE VALVE SHIM	0.8
2	94	2	318 000 510		H.S.H. BOLT	5X20S
2	95	2	318 000 520		WASHER	5
2	96	4	318 001 240		SET SCREW	
2	97	1	318 001 120		DIAPHRAGM COVER	
2	98	1	318 001 130		METERING DIAPHRAGM	
2	99	1	318 001 140		DIAPHRAGM PACKING	
2	100	1	318 001 110		HINGE PIN	
2	101	1	318 001 080		CONTROL LEVER	
2	102	1	318 001 151		NEEDLE VALVE	
2	106	1	318 001 090		HINGE PIN SET SCREW	
2	107	1	318 001 100		VALVE SPRING	
2	116	1	318 001 010		INLET SCREEN	
2	117	1	318 001 050		PUMP DIAPHRAGM	
2	118	1	318 001 040		PUMP PACKING	
2	119	1	318 001 020		PUMP BODY	
2	120	1	318 001 030		SET SCREW	
2	121	1	318 001 200		IDLE ADJUST SPRING	
2	122	1	318 001 210		IDLE ADJUST SCREW	
2	200	1	318 002 470		MUFFLER WIRE	

PS-3300 TH



Page	Pos.	PS-3300 TH	Part No.	Notes	Description	Specifications
3	124	1	318 001 280		CHAINBAR FIXING NUT	
3	125	1	318 002 320		SIDE CASE ASS'Y	INC. 126-137
3	126	1	318 002 300		SIDE COVER ASS'Y	
3	127	1	318 001 670		SLEEVE (F/CLEANER)	
3	128	1	318 001 630		REINFORCING PLATE (F/BRAKE)	
3	129	1	318 001 700		BRAKE LEVER SPRING	
3	130	1	318 001 600		BRAKE HANDLE	
3	131	1	318 001 610		BRAKE LINK COVER	
3	132	1	318 001 640		NEEDLE ROLLER	3X9.8
3	133	1	318 001 660		BRAKE BAND	
3	134	1	318 001 650		BRAKE LINK	
3	135	1	318 001 680		COLLAR	7
3	136	1	318 001 620		BRAKE SPRING	
3	137	3	318 001 710		HIGH-LOW SCREW	4X15
3	138	1	528 092 052		SAW CHAIN	3/8", 14"
3	139	1	412 035 661		GUIDE BAR	14"
3	140	1	318 001 290		CLUTCH CPL.	
3	141	1	318 001 300		NEEDLE BEARING	
3	142	1	318 001 310		CLUTCH HOUSING	
3	143	1	318 001 320		CLUTCH WASHER	2.0
3	144	1	318 001 530		CRANKSHAFT COLLAR	7.7
3	145	2	318 001 330		P. H. SCREW	5X14
3	146	1	318 001 340		OILPUMP COVER	
3	147	1	318 001 370		AIR VENT	
3	148	1	318 001 360		GEAR	
3	149	1	318 001 380		OILPUMP ASS'Y	INC. 150-153
3	150	1	318 001 390		OIL ADJUST GROMMET	
3	151	1	318 001 400		OIL PUMP ADJUSTER	
3	152	1	318 001 410		O-RING	P-6
3	153	1	318 001 420		OILPUMP CASE SET	INC. 154
3	154	1	318 001 410		O-RING	P-6
3	155	1	318 001 490		HIGH-LOW SCREW	4X10
3	156	1	318 001 500		PLATE	
3	157	1	318 002 150		CHAIN ADJUST SCREW	
3	158	2	318 001 580		SCREW	4.5X14
3	159	1	318 001 350		OIL PIPE (A)	
3	160	1	318 000 920		SCREW	5X14
3	161	1	318 001 540		FUEL PIPE	
3	162	1	318 001 550		CHAIN CATCHER	

- 1 Engine cover, crankcase, cylinder, ignition
- 2 Carburetor, air cleaner, muffler
- 3 Chain brake, clutch, guide bar, saw chain
- 4 Starter, handles

	Key to symbols
⇒ 1999999 2000000 ⇒ 2003.04 ⇒ TI 2003/07 Acc. = { m Corr.	Production to serial number New part from serial number New part from Year / Month See Technical Information Year / No. Accessories (not included in the delivery inventory) No standard execution, may be used Contains item number Sold by the meter Error correction
	Specifications subject to change without notice